



# Beoconnect Core

User Guide

Betjeningsvejledning

Användarhandbok

Bruksanvisning

Bedienungsanleitung

Gebruiksaanwijzing

Mode d'emploi

Guía del usuario

Guida utente

Manual do usuário

Instrukcja obsługi

ユーザーガイド

사용 설명서

用户指南

使用者指南

تعليمات التشغيل

CONTENTS

English, 3

Dansk (Danish), 16

Svenska (Swedish), 29

Norsk (Norwegian), 42

Deutsch (German), 55

Nederlands (Dutch), 68

Français (French), 81

Español (Spanish), 94

Italiano (Italian), 107

Português (Portuguese), 120

Polski (Polish), 133

日本語 (Japanese), 146

한국어 (Korean), 159

简体中文 (Simplified Chinese), 172

繁體中文 (Traditional Chinese), 185

عربي (Arabic), 198

## Get started

### INTRODUCTION

Your Beoconnect Core is much more than a streaming box: it will carry your Bang & Olufsen products into the future.

In this guide you will find information about the daily use of your Beoconnect Core and connected products as well as detailed descriptions of the features and functions.

Your Bang & Olufsen retailer is your first stop for all your service queries. To find your nearest retailer here:

[stores.bang-olufsen.com/en/search](https://stores.bang-olufsen.com/en/search)



### DOWNLOAD THE BANG & OLUFSEN APP

To set up your Beoconnect Core, download the Bang & Olufsen App from your designated App store.

In the app you can set up your product and get the full Bang & Olufsen experience. Unlock the full product experience of audio personalisation, product support, network connection, automatic software updates and new features at your fingertips.

Note:

- If the app is unable to detect your product, please ensure that Bluetooth and Wi-Fi are enabled on your device.
- Also make sure to allow the Bang & Olufsen app to search for devices on the local network.
- Go to "Settings", select the "Bang & Olufsen" app and enable "Bluetooth" and "Local Network" or set the permissions for your device to access nearby devices, depending on operative system.



REMEMBER WHEN SETTING UP

Before connecting any cables or devices to Beoconnect Core, make sure that everything is switched off and disconnected from the mains.

Use the Bang & Olufsen App to connect your Beoconnect Core to the internet. Once Beoconnect Core is connected, it will search for available software updates.

Automatic software updates can be configured in the Bang & Olufsen App.

Note: The only cable included is a localised power cable.



SOURCES

With the Beoconnect Core you can stream your favourite music by using the following sources:

**Bang & Olufsen Radio**

Use the Bang & Olufsen App to select stations and set favourites.

**Beolink, AirPlay and Chromecast**

Streaming from device and multiroom capabilities.

**Spotify, Tidal and Deezer Connect**

Streaming via cloud and options to set favourites.

**Bluetooth 5.3**

For streaming audio and connecting a Beoremove One BT or Beoremove Halo.

**Wi-Fi**

IEEE802.11 b/a/g/n/ac/ax

**Line/Optical-in**

3.5 mm combo-jack for analogue or digital connection to music players.

**Power Link**

For connection to most Beolab speakers.

**COMM**

For connection to a Beosound Shape.

**Ethernet**

Cabled connection to your home network.

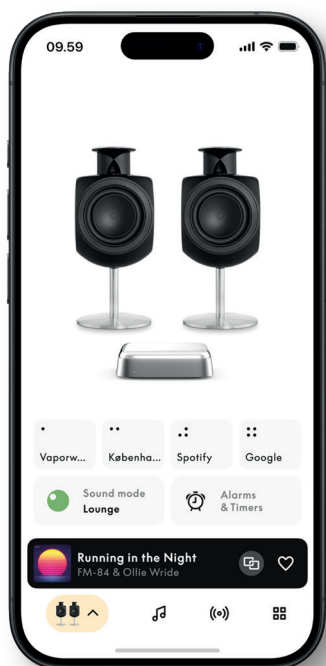
**HDMI eARC**

3rd party TVs with ARC/eARC

**USB-C**

For digital audio connection to Beolab 50/90 or to connect audio from a computer.





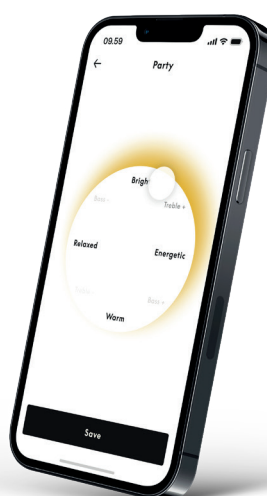
## CUSTOMISE YOUR SOUND IN THE BANG & OLUFSEN APP

Adjust the sound and get the most of your speakers and Beoconnect Core by using the Bang & Olufsen app. With Sound Modes, you can curate the sound to your liking. Beoconnect Core includes the Optimal Sound Mode from the start. But custom Sound Modes can be saved for later from Beosonic and activated from the list.

To delete a saved Sound Mode, tap on it and swipe left to reveal the delete button. To edit a saved Sound Mode, press and hold on the Sound Mode you wish to edit.

### Beosonic

Advanced digital sound algorithms developed by our acoustics team allow you to explore different audio spaces by simply moving the circle around.



### Beosound Shape modes

With Beosound Shape you can choose between three different ways of listening. All three sound modes remix the left and right channels to the number of speakers in the actual setup:

- **Band on the Wall:** When using the “Band on the Wall” sound mode, the location of the lead vocal stays in the same position, and the remaining parts of the mix will be distributed around no matter the position of the listener.
- **Social:** When using the “Social” sound mode, the location of the lead vocal stays in front of the listener, and the remaining parts of the mix will be distributed around no matter the position of the listener.
- **Stereo:** When using the “Stereo” sound mode, the location of the lead vocal will appear in the closer outermost speaker like in the traditional stereo setup. As opposed to the traditional stereo setup, the remaining speakers will enhance the sound stage between the speakers. This sound mode is intended to be used when Beosound Shape is part of a multichannel surround setup i.e. as rear speaker.

FAVOURITES

Beoconnect Core supports Favourites through the Bang & Olufsen App or a paired remote control that has Favourite buttons (MyButtons).

On your product page in the Bang & Olufsen App, go to Radio and then Search to pick a station. Tap the More icon to assign it to a favourite.

The buttons are pre-programmed with the most popular radio stations in your area and can be easily customised to your preferences: switch to other stations using Bang & Olufsen Radio or access playlists through Spotify Connect, Deezer Connect, or Tidal Connect.

To save a favourite, begin playing either radio or a playlist on your Beoconnect Core. Then press and hold the Favorite button that you wish to assign the favourite to on the remote control for two seconds. A confirmation sound will indicate that your selection has been saved. In the Bang & Olufsen app, press and hold the Favourite button to save the currently playing radio station or playlist to that button. Once saved, simply access your favourite with a short press of the button.



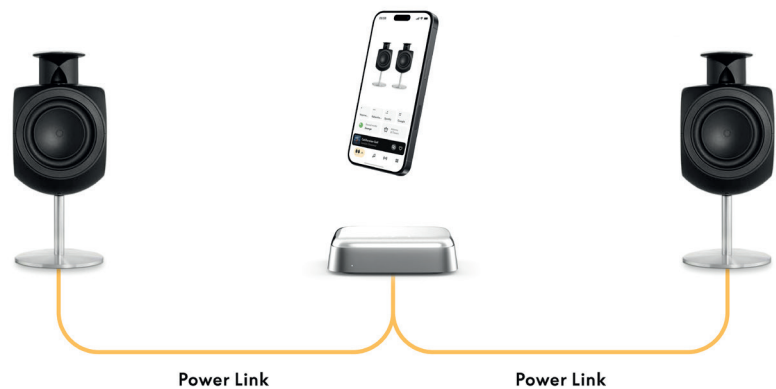
CONNECT TO BEOLAB SPEAKERS VIA POWER LINK

By using stereo Power Link connection, you can transform your Beolab speakers into streaming speakers of today. Beoconnect Core has one Power Link (RJ45) output socket that can connect any two Beolab loudspeakers with a Power Link input. There are two ways to connect via Power Link

- **Daisy-chain:** If your speakers have two Power Link sockets, you can connect from Beoconnect Core to the first speaker and then from the first speaker to second speaker.
- **Splitter:** Connect a Power Link splitter cable to Beoconnect Core, and then connect both speakers to the splitter.

After connecting your speakers via Power Link, connect all devices to the mains and continue setup in the Bang & Olufsen App. Once having connected your Beoconnect Core to your network, you need to configure your connected speakers and make sure that the left and right role are correctly set.

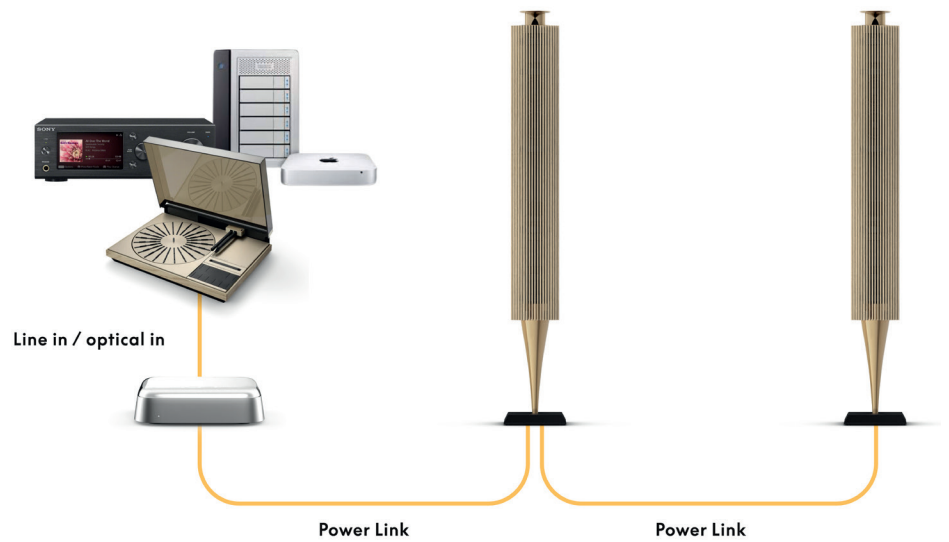
Contact your Bang & Olufsen retailer for the right set of cables for your speakers and preferred setup.



CONNECT TO EXTERNAL AUDIO SOURCES

The above illustration shows how you can add Beolab speakers to a music source. The 3.5 mm jack on Beoconnect Core can be used to connect any line-level analogue or digital (Optical) audio source so that it will play through the connected speakers. Contact your Bang & Olufsen retailer for the right set of cables to connect your device.

Note: if you wish to connect a turntable, a RIAA preamplifier is required either built into the turntable or externally between it and your Beoconnect Core.



CONNECT TO 3RD PARTY TELEVISION

Beoconnect Core can connect to most non-Bang & Olufsen TVs, allowing sound from your preferred shows to play through connected speakers.

Simply link Beoconnect Core to your TV using an HDMI cable, plugging one end into the HDMI eARC port on Beoconnect Core and the other into the HDMI eARC/ARC port on your TV. Look for the labeled ports on your TV to locate the right one.

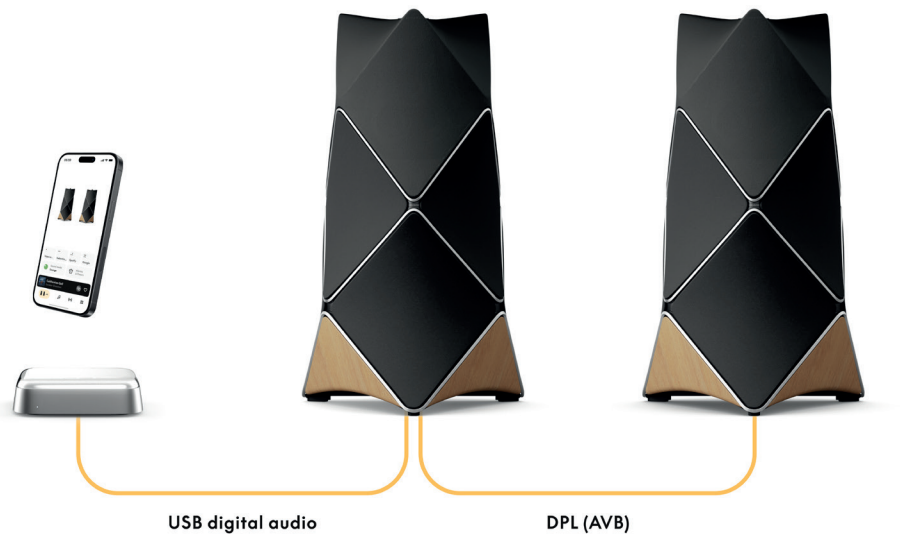
Once connected, Beoconnect Core will synchronize with your TV, switching on and entering standby mode along with it. You can adjust the volume using your TV remote.

Note: You might need to configure your TV to send out stereo sound (PCM) only. Beoconnect Core cannot decode surround sound formats, such as Dolby Atmos, which are the default on some televisions.



CONNECT TO BEOLAB 50 OR 90

Beolab 50 and 90 loudspeakers can be connected to the USB-C port to create a fully digital signal chain from the source to the loudspeaker. Use a USB-C to USB-B 2.0 cable between Beoconnect Core and the primary speaker. Connect the primary and secondary speakers together via the DPL (RJ45) sockets. After connecting the speakers via USB, connect all devices to the mains and continue setup in the Bang & Olufsen App. After connecting Beoconnect Core to your network, you will see an option to enable Beolab 50 or 90 in the control screen.



## CONNECT TO BEOSOUND SHAPE

Update your Beosound Shape with the Beoconnect Core for improved sound quality and direct digital connection to the amplifiers.

**Note:**

A bracket is needed when installing Beoconnect Core in a Beosound Shape setup.

Connect an RJ45 Cat7 cable from the "COMM" socket on Beoconnect Core to the "COMM In" socket on the primary Beosound Shape amplifier.

When replacing the Beosound Core in an existing Beosound Shape setup with the Beoconnect Core, make sure to disconnect Beosound Shape from the mains. Then connect all the cables between the Beoconnect Core and the primary amplifier. Afterwards connect both the amplifier and the Beoconnect Core to the mains. Make sure to switch on the amplifier first and then the Beoconnect Core.

**Note:**

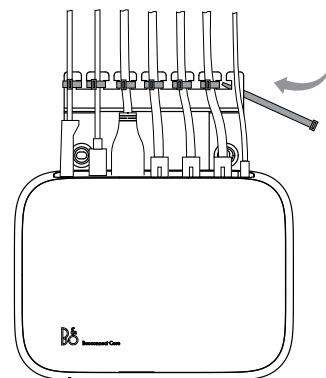
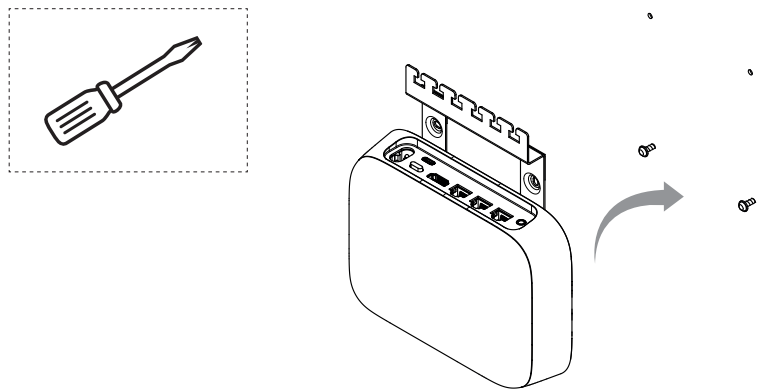
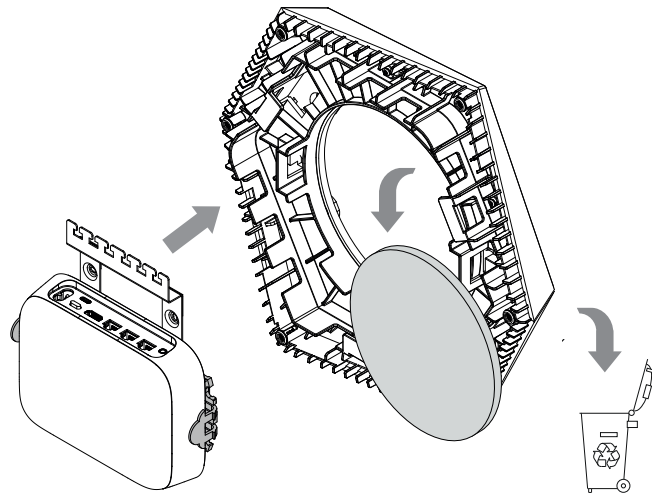
Once switched on, continue the setup in the Bang & Olufsen App. Make sure to have the Design ID of your unique Beosound Shape design ready, as you need to enter it into the app to finalise the setup.



WALL AND BEOSOUND SHAPE BRACKET SOLUTIONS

For mounting Beoconnect Core inside a Beosound Shape tile, the Beoconnect Core Bracket is required. The same bracket can be used for wall mounting your Beoconnect Core. For further instructions see the guide included with the Beoconnect Core Bracket.

The Beoconnect Core Bracket is available for purchase from a Bang & Olufsen retailer and [www.bang-olufsen.com](http://www.bang-olufsen.com).







## MULTIROOM

Make the whole house come together. Beoconnect Core can link to other speakers in a multiroom system and let multiple speakers across your home play the same content at the same time. You can enjoy multiroom in several different ways:

### Beolink Multiroom

Beolink Multiroom is Bang & Olufsen's own multiroom system. It can distribute almost anything\* playing on your Beoconnect Core to other Bang & Olufsen speakers and televisions on the same network.

To listen to what's playing on Beoconnect Core on another speaker, press and hold [play/pause] on that speaker (for two seconds) to join the experience.

To join an ongoing experience on Beoconnect Core, use the Join function on the paired Bang & Olufsen remote control, or use the Bang & Olufsen app to see which products are playing and add more to the ongoing experience.

#### Note:

To use Beolink Multiroom and AirPlay together, first open the Bang & Olufsen app and go to Product settings -> Beolink Multiroom -> Enable AirPlay.

#### Note:

Beolink Multiroom cannot be used together with Chromecast built-in as all multiroom experiences must be configured using Google's own features, such as speaker groups.

### Apple AirPlay

To create a multiroom experience with AirPlay, select multiple speakers from the sound output menu on your Apple device. Beoconnect Core can also play together with speakers from other brands that support AirPlay.

### Chromecast built-in

You can use the Google Home app on your smartphone to create speaker groups and then cast content to these speakers via Chromecast.

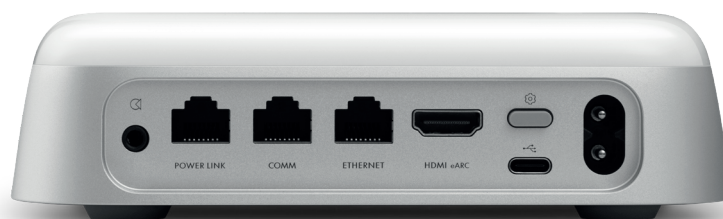
## Nice to know

### WI-FI SETUP MODE

You can connect your Beoconnect Core to a new wireless network or reset the connection by pressing and holding the Setup button on the back of Beoconnect Core for 2 seconds. You will hear a sound prompt, and the status indicator will start flashing amber.

In the product settings of the Bang & Olufsen app, select Re-Setup to connect the speaker to Wi-Fi.

To cancel Wi-Fi setup and connect back to the previous network, press and hold the button again.



### FACTORY RESET

You can restore factory settings by pressing and holding the setup button on the back of your Beoconnect Core for 8 seconds.

Your Beoconnect Core will begin the reset process and after approximately one minute, your Beoconnect Core will be ready for first-time setup again.

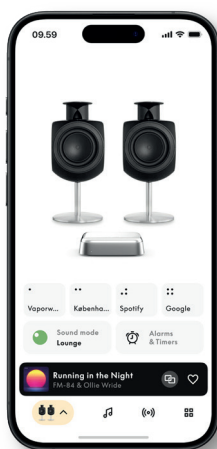
### DAILY USE

Use your mobile device to control Beoconnect Core through the Bang & Olufsen App, or connect a Bang & Olufsen remote control for your preferred content sources or services.

#### Bluetooth

To pair a new device, press the Setup button shortly. When the light starts pulsing blue, go to the Bluetooth settings on your device and select your Beoconnect Core. Once connected you are ready to play.

If your device has already been paired, you can reconnect it from the Bluetooth settings on your device without going through pairing again.





LIGHT INDICATOR

The light indicator is located in the front of Beoconnect Core, and shows the status of the product:

INDICATION	STATUS
<b>White</b>	
Solid	Connected to network, ready for use
Flashing	Starting up
Pulsing slowly	Playback paused
<b>Blue</b>	
Solid (5 sec)	Connected / Bluetooth paired
Pulsing	Open for Bluetooth pairing
<b>Red</b>	
Solid	Static error*
Flashing	Transient error, e.g. overheating
<b>Amber</b>	
Solid	No network connection, connection lost
Flashing	Ready for network setup
Pulsing	Connecting to network
<b>Green</b>	
Pulsing	Software update in progress - wait until the light turns solid white again

\*Please contact Customer Care for assistance.  
This is also possible from the Support section in the Bang & Olufsen App.



## Kom hurtigt i gang

### INDLEDNING

Din Beoconnect Core er meget mere end en streamingboks: Den vil tage dine Bang & Olufsen-produkter ind i fremtiden.

I denne vejledning finder du oplysninger om den daglige brug af din Beoconnect Core og de tilsluttede produkter samt detaljerede beskrivelser af funktioner og egenskaber.

Alle servicespørgsmål skal i første omgang rettes til din Bang & Olufsen-forhandler. Du finder din nærmeste forhandler her:

[stores.bang-olufsen.com/en/search](https://stores.bang-olufsen.com/en/search)



### DOWNLOAD BANG & OLUFSEN APPEN

Download Bang & Olufsen-appen fra din valgte app-butik for at konfigurere din Beoconnect Core.

I appen kan du konfigurere dit produkt og få den fulde Bang & Olufsen-oplevelse. Lås op for den fulde produktoplevelse med lydtilpasning, produktsupport, netværksforbindelse, automatiske softwareopdateringer og nye funktioner lige ved hånden.

Bemærk!

- Hvis appen ikke kan finde dit produkt, skal du sikre dig, at Bluetooth og wi-fi er aktiveret på din enhed.
- Sørg også for at give Bang & Olufsen-appen tilladelse til at søge efter enheder på det lokale netværk.
- Gå til "Indstillinger", vælg appen "Bang & Olufsen", og aktiver "Bluetooth" og "Lokalt netværk", eller indstil tilladelserne på din enhed til at få adgang til enheder i nærheden, afhængigt af operativsystemet.



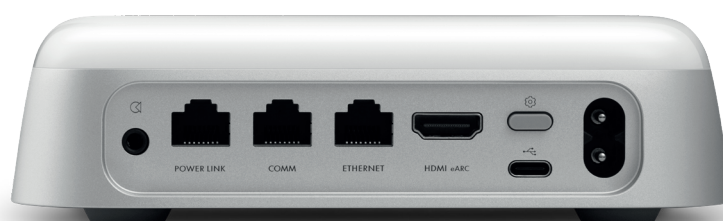
## HUSK VED OPSÆTNING

Før du tilslutter kabler eller enheder til Beoconnect Core, skal du sørge for, at alt er slukket og frakoblet strøm.

Brug Bang & Olufsen-appen til at forbinde din Beoconnect Core til internettet. Når Beoconnect Core er tilsluttet, vil den søge efter tilgængelige softwareopdateringer.

Automatiske softwareopdateringer kan konfigureres i Bang & Olufsen-appen.

Bemærk: Det eneste kabel, der medfølger, er et lokalt strømkabel.



## KILDER

Med Beoconnect Core kan du streame din yndlingsmusik ved hjælp af følgende kilder:

### Bang & Olufsen-radio

Brug Bang & Olufsen-appen til at vælge stationer og indstille favoritter.

### Beolink, AirPlay og Chromecast

Streaming fra enhed og Multiroom-funktioner.

### Spotify, Tidal og Deezer Connect

Streaming via skyen og mulighed for at indstille favoritter.

### Bluetooth 5.3

Til streaming af lyd og tilslutning af en BeoreMOTE One BT eller BeoreMOTE Halo.

### Wi-fi

IEEE802.11 b/a/g/n/ac/ax

### Line/Optical-in

3,5 mm kombojackstik til analog eller digital tilslutning til musikafspillere.

### Power Link

Til tilslutning til de fleste Beolab-højttalere.

### COMM

Til tilslutning til en Beosound Shape.

### Ethernet

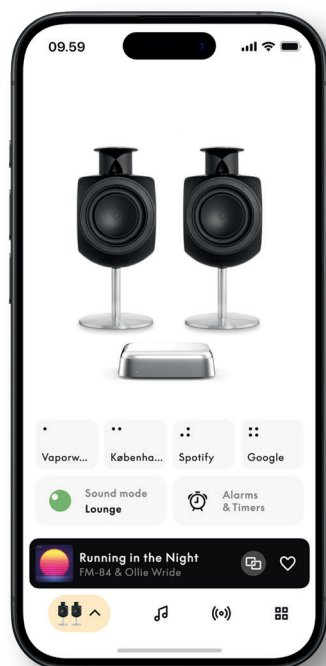
Kabelforbindelse til dit hjemmenetværk.

### HDMI eARC

TV af andet mærke med ARC/eARC

### USB-C

Til digital lydtilslutning til Beolab 50/90 eller til tilslutning af lyd fra en computer



## TILPAS DIN LYD I BANG & OLUFSEN APPEN

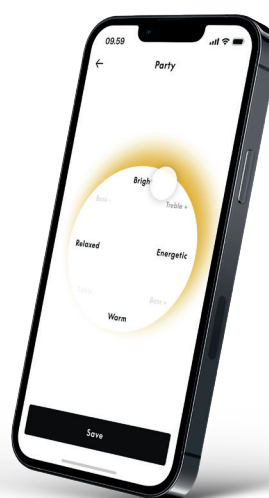
Juster lyden, og få mest muligt ud af dine højttalere og Beoconnect Core ved hjælp af Bang & Olufsen-appen. Med Lydtilstand kan du sammensætte lyden, som du ønsker.

Beoconnect Core inkluderer Optimal-lydtilstanden fra starten. Men brugerdefinerede lydtilstande kan gemmes til senere fra Beosonic og aktiveres fra listen.

Hvis du vil slette en gemt lydtilstand, skal du trykke på den og stryge til venstre for at få vist slet-knappen. For at redigere en gemt lydtilstand skal du trykke og holde på den lydtilstand, du ønsker at redigere.

### Beosonic

Avancerede digitale lydalgoritmer, der er udviklet af vores akustikteam, giver dig mulighed for at udforske forskellige lydrområder blot ved at flytte cirklen rundt.



### Beosound Shape-tilstande

Med Beosound Shape kan du vælge mellem tre forskellige måder at lytte på. Alle tre lydtilstande remixer venstre og højre kanal i forhold til antallet af højttalere i den aktuelle opsætning:

- **Band on the Wall:** Når du bruger lydtilstanden "Band on the Wall", forbliver leadvokalen i samme position, og de resterende dele af mixet bliver fordelt rundt, uanset hvor lytteren befinder sig.
- **Social:** Når du bruger lydtilstanden "Following sound stage", forbliver leadvokalens placering foran lytteren, og de resterende dele af mixet bliver fordelt rundt, uanset hvor lytteren befinder sig.
- **Stereo:** Når du bruger lydtilstanden "Stereo", vil leadvokalen optræde i den yderste højttaler, der er tættest på, ligesom i en traditionel stereopsætning. I modsætning til den traditionelle stereopsætning vil de resterende højttalere forbedre lydbilledet mellem højttalerne. Denne lydtilstand er beregnet til at blive brugt, når Beosound Shape er en del af en multikanal-surroundopsætning, f.eks. som baghøjttaler.

## FAVORITTER

Beoconnect Core understøtter Favoritter via Bang & Olufsen-appen eller en parret fjernbetjening, der har favoritknapper (MyButton).

På produktsiden i Bang & Olufsen-appen skal du gå til Radio og derefter Søg for at vælge en station. Tryk på ikonet Mere for at gøre den til en favorit.

Knapperne er forprogrammeret med de mest populære radiostationer i dit område og kan nemt tilpasses dine præferencer: Skift til andre stationer med Bang & Olufsen Radio, eller få adgang til afspilningslister via Spotify Connect, Deezer Connect eller Tidal Connect.

Hvis du vil gemme en favorit, skal du begynde at afspille enten radio eller en afspilningsliste på din Beoconnect Core. Tryk derefter på favoritknappen, som du vil tildele favoritten, på fjernbetjeningen, og hold den nede i to sekunder. En bekræftelseslyd vil indikere, at dit valg er blevet gemt. Tryk på favoritknappen, og hold den nede i Bang & Olufsen-appen for at gemme den aktuelle radiostation eller afspilningsliste på denne knap. Når den er gemt, kan du blot gå til din favorit med et kort tryk på knappen.



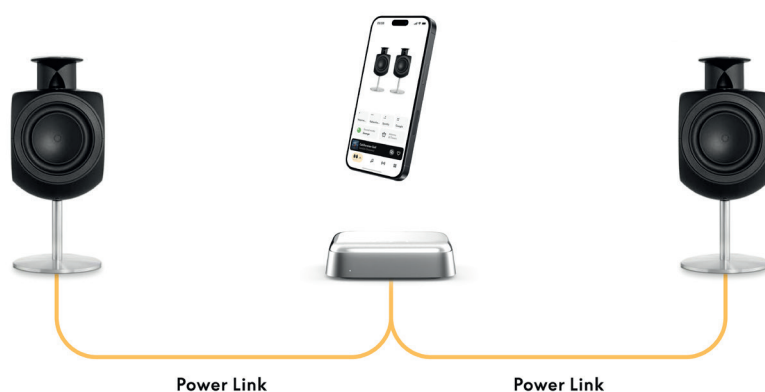
## TILSLUTBEOLAB HØJTTALERE VIA POWERLINK

Ved at bruge en Power Link-forbindelse i stereo kan du forvandle dine Beolab-højttalere til moderne streaminghøjttalere. Beoconnect Core har en Power Link-udgang (RJ45), som kan forbinde to Beolab-højttalere med en Power Link-indgang. Der er to måder at forbinde via Power Link

- **Daisy-chain:** Hvis dine højttalere har to Power Link-stik, kan du forbinde fra Beoconnect Core til den første højttaler og derefter fra den første højttaler til den anden højttaler.
- **Splitter:** Tilslut et Power Link-splitterkabel til Beoconnect Core, og tilslut derefter begge højttalere til splitteren.

Når du har tilsluttet dine højttalere via Power Link, skal du tilslutte alle enheder til lysnettet og fortsætte opsætningen i Bang & Olufsen-appen. Når du har tilsluttet din Beoconnect Core til dit netværk, skal du konfigurere dine tilsluttede højttalere og sørge for, at venstre og højre placering er indstillet korrekt.

Kontakt din Bang & Olufsen-forhandler for at få det rigtige sæt kabler til dine højttalere og din foretrukne opsætning.

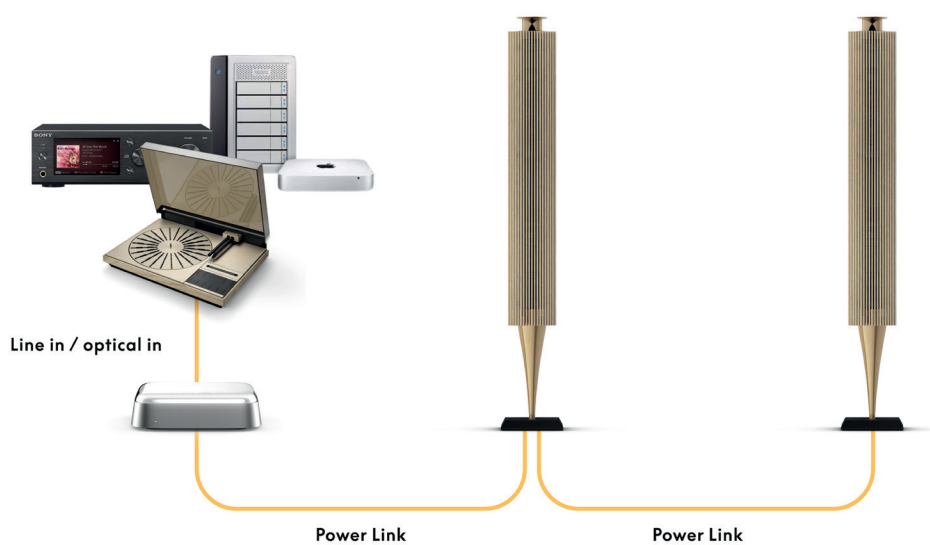




TILSLUT TIL EKSTERNE LYDKILDER

Ovenstående illustration viser, hvordan du kan tilføje Beolab-højttalere til en musikkilde. Stikket på 3,5 mm på Beoconnect Core kan bruges til at tilslutte enhver analog eller digital (optisk) lydkilde på linjeniveau, så den kan afspilles via de tilsluttede højttalere. Kontakt din Bang & Olufsen-forhandler for at få det rigtige sæt kabler til tilslutning af din enhed.

Bemærk: Hvis du ønsker at tilslutte en pladespiller, kræves der en RIAA-forforstærker, enten indbygget i pladespilleren eller eksternt mellem den og din Beoconnect Core.



TILSLUT TIL EKSTERNT TV

Beoconnect Core kan tilsluttes de fleste fjernsyn af andre mærker, så lyd fra dine foretrukne shows kan afspilles gennem tilsluttede højttalere.

Du skal blot forbinde Beoconnect Core til dit TV ved hjælp af et HDMI-kabel, hvor du sætter den ene ende i HDMI eARC-porten på Beoconnect Core og den anden i HDMI eARC/ARC-porten på dit TV. Se efter de mærkede porte på dit TV for at finde den rigtige.

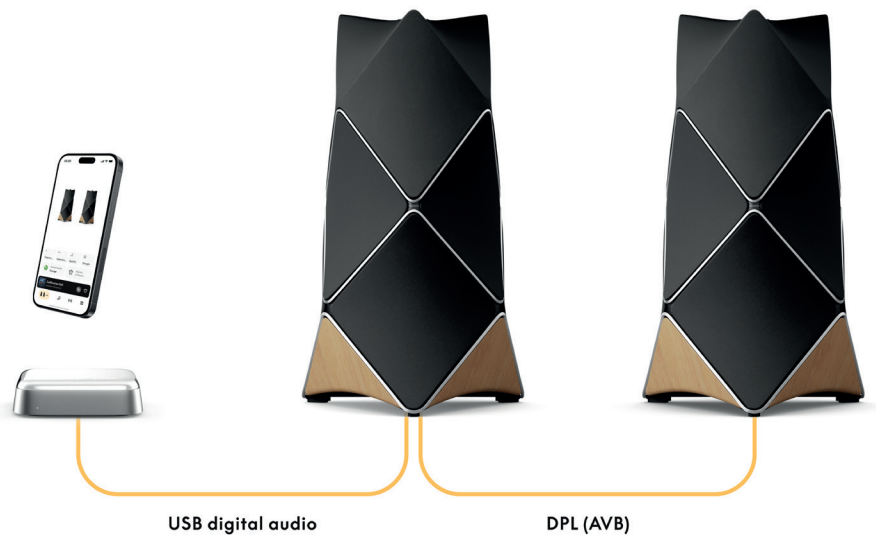
Når Beoconnect Core er tilsluttet, synkroniseres den med dit TV og tænder og går i standbytilstand sammen med det. Du kan justere lydstyrken ved hjælp af fjernbetjeningen til dit TV.

Bemærk: Det kan være nødvendigt at konfigurere dit TV til kun at sende stereolyd (PCM). Beoconnect Core kan ikke afkode surround sound-formater, såsom Dolby Atmos, som er standard på nogle fjernsyn.



TILSLUT TIL BEOLAB 50 OR 90

Beolab 50- og 90-højtalere kan tilsluttes USB-C-porten for at skabe en fuldt digital signalkæde fra kilden til højttaleren. Brug et USB-C til USB-B 2.0-kabel mellem Beoconnect Core og den primære højttaler. Forbind den primære og den sekundære højttaler via DPL- (RJ45)-stikkene. Når du har tilsluttet højttalerne via USB, skal du slutte alle enheder til lysnettet og fortsætte opsætningen i Bang & Olufsen-appen. Når du har tilsluttet Beoconnect Core til dit netværk, vil du se en mulighed for at aktivere Beolab 50 eller 90 på kontrolskærmen.



#### TILSLUT TIL BEOSOUND SHAPE

Opdater din Beosound Shape med Beoconnect Core for at få forbedret lyd kvalitet og direkte digital forbindelse til forstærkerne.

**Bemærk!**

Et beslag er nødvendigt, når du installerer Beoconnect Core i en Beosound Shape-opsætning.

Tilslut et RJ45 Cat7-kabel fra "COMM"-stikket på Beoconnect Core til "COMM In"-stikket på den primære Beosound Shape-forstærker.

Når du udskifter Beosound Core i en eksisterende Beosound Shape-opsætning med Beoconnect Core, skal du sørge for at frakoble Beosound Shape fra strømforsyningen. Tilslut derefter alle kablerne mellem Beoconnect Core og den primære forstærker. Tilslut derefter både forstærkeren og Beoconnect Core til strømforsyningen. Sørg for først at tænde for forstærkeren og derefter for Beoconnect Core.

**Bemærk!**

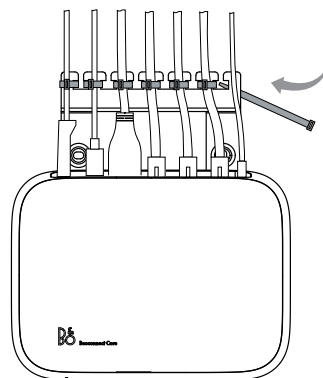
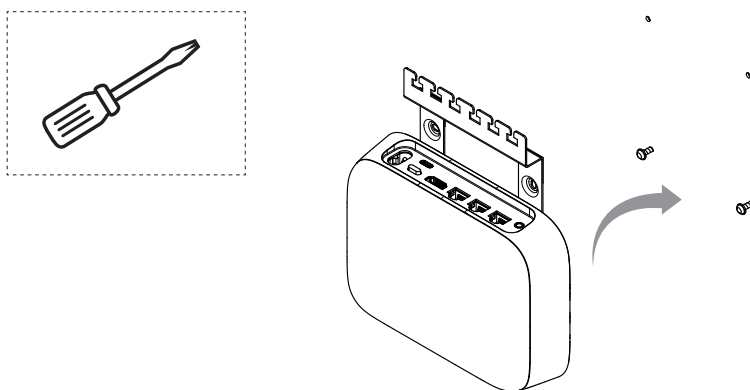
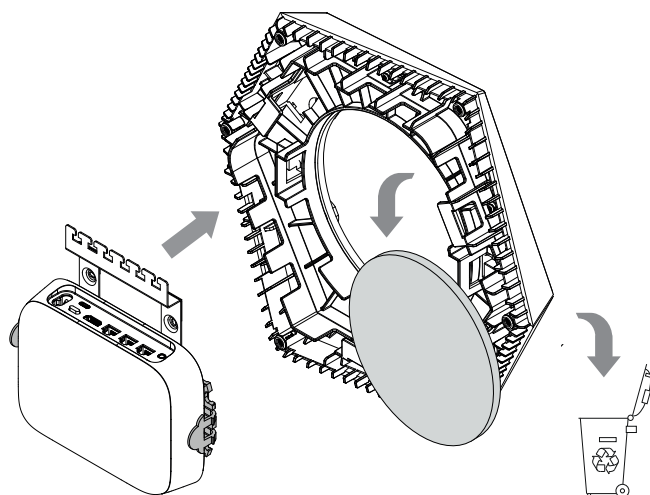
Når den er tændt, kan du fortsætte opsætningen i Bang & Olufsen-appen. Sørg for at have design-ID'et for dit unikke Beosound Shape-design klar, da du skal indtaste det i appen for at afslutte opsætningen.



LØSNINGER TIL VÆG- OG BEOSOUND SHAPE BESLAG

Beoconnect Core-beslaget er nødvendigt til montering af Beoconnect Core i et Beosound Shape-modul. Det samme beslag kan bruges til vægmontering af din Beoconnect Core. For yderligere instruktioner skal du se den vejledning, der følger med dit Beoconnect Core-beslag.

Beoconnect Core-beslaget kan købes hos en Bang & Olufsen-forhandler og på [www.bang-olufsen.com](http://www.bang-olufsen.com).





## MULTIROOM

Bring hele huset sammen. Beoconnect Core kan tilsluttes andre højttalere i et Multiroom-system og lade flere højttalere i dit hjem afspille det samme indhold på samme tid. Du kan nyde Multiroom på flere forskellige måder:

### BeoLink Multiroom

BeoLink Multiroom er Bang & Olufsens eget multirumssystem. Det kan distribuere næsten alt\*, hvad der afspilles på din Beoconnect Core, til andre Bang & Olufsen-højttalere og TV'er på samme netværk.

Hvis du vil lytte til det, der afspilles på Beoconnect Core, på en anden højttaler, skal du trykke og holde [afspil/pause] nede på den pågældende højttaler (i to sekunder) for at tage del i oplevelsen.

Hvis du vil tage del i en igangværende oplevelse på Beoconnect Core skal du bruge Lyt Med på den parrede Bang & Olufsen-fjernbetjening eller bruge Bang & Olufsen-appen til at se, hvilke produkter der afspilles, og tilføje flere til den igangværende oplevelse.

#### Bemærk!

Hvis du vil bruge BeoLink Multiroom og AirPlay sammen, skal du først åbne Bang & Olufsen-appen og gå til Produktindstillinger -> BeoLink Multiroom -> Aktivér AirPlay.

#### Bemærk!

BeoLink Multiroom kan ikke bruges sammen med indbygget Chromecast, da alle Multiroom-oplevelser skal konfigureres ved hjælp af Googles egne funktioner, såsom højttalergupper.

### Apple AirPlay

Hvis du vil skabe en Multiroom-oplevelse med AirPlay, skal du vælge flere højttalere i Sound Output-menuen på din Apple-enhed. Beoconnect Core kan også spille sammen med højttalere fra andre mærker, der understøtter AirPlay.

### Chromecast built-in

Du kan bruge Google Home-appen på din smartphone til at oprette højttalergupper og derefter caste indhold til disse højttalere via Chromecast.

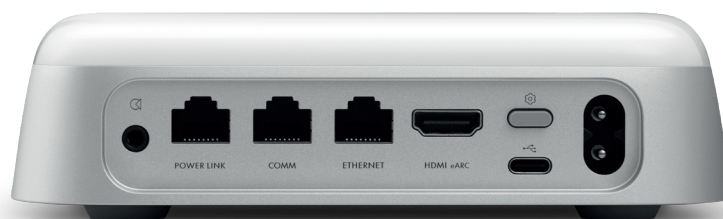
## Godt at vide

### WI-FI OPSÆTNINGSTILSTAND

Du kan forbinde din Beoconnect Core til et nyt trådløst netværk eller nulstille forbindelsen ved at trykke på opsætningsknappen på bagsiden af Beoconnect Core og holde den nede i 2 sekunder. Der afspilles en lyd, og statuslampen begynder at blinke gult.

I produktindstillingerne i Bang & Olufsen-appen skal du vælge Sæt op igen for at forbinde højttaleren til Wi-Fi.

Hvis du vil annullere wi-fi-konfigurationen og oprette forbindelse til det tidligere netværk, skal du trykke på knappen og holde dem nede igen.



### NUL. TIL FABRIKSIND

Du kan gendanne fabriksindstillingerne ved at trykke og holde opsætningsknappen på bagsiden af din Beoconnect Core nede i 8 sekunder.

Din Beoconnect Core vil begynde nulstillingsprocessen, og efter ca. et minut vil din Beoconnect Core være klar til førstegangsopsætning igen.

### DAGLIG BRUG

Brug din mobilenhed til at styre Beoconnect Core via Bang & Olufsen-appen, eller tilslut en Bang & Olufsen-fjernbetjening til dine foretrukne indholdskilder eller tjenester.

#### Bluetooth

Hvis du vil parre en ny enhed, skal du trykke kortvarigt på opsætningsknappen. Når lyset begynder at blinke blå, skal du gå til Bluetooth-indstillingerne på din enhed og vælge Beoconnect Core. Når den er tilsluttet, er du klar til at spille.

Hvis din enhed allerede er blevet parret, kan du tilslutte den igen fra Bluetooth-indstillingerne på din enhed uden at skulle igennem parringen igen.





LYSINDIKATOR

Lysindikatoren er placeret på forsiden af Beoconnect Core og viser produktets status:

INDIKATION

STATUS

**Hvid**

Konstant  
Blinker  
Pulserer langsomt

Forbundet til netværk. Klar til brug  
Starter  
Afspilning er sat på pause

**Blå**

Konstant (5 sek.)  
Pulserer

\*Forbundet/Bluetooth-parret  
Åben for parring med Bluetooth

**Rød**

Konstant  
Blinker

Statisk fejl\*  
Forbigående fejl, f.eks. overophedning

**Orange**

Konstant  
Blinker  
Pulserer

Ingen forbindelse til netværket, forbindelsen er mistet  
Klar til netværksopsætning  
Forbinder til netværk

**Grøn**

Pulserer

Softwareopdatering i gang - vent, til lyset bliver konstant hvidt igen

\*Kontakt kundeservice for at få hjælp.  
Dette er også muligt fra afsnittet Support i Bang & Olufsen-appen.





## Komma igång

### INLEDNING

Din Beoconnect Core är mycket mer än en streamingbox – den kommer att bära dina Bang & Olufsen-produkter in i framtiden.

I den här handboken hittar du information om den dagliga användningen av din Beoconnect Core och anslutna produkter samt detaljerade beskrivningar av olika funktioner.

Vänd dig i första hand till din Bang & Olufsen-återförsäljare om du har frågor om service. Du hittar din närmaste återförsäljare här:

[stores.bang-olufsen.com/en/search](https://stores.bang-olufsen.com/en/search)



### HÄMTA BANG & OLUFSEN-APPEN

Ladda ner Bang & Olufsen-appen från din appbutik för att börja konfigurera din Beoconnect Core.

I appen kan du ställa in din Bang & Olufsen-produkt så att du får ut mesta möjliga av den. Därifrån kommer du enkelt åt hela produktupplevelsen med ljudanpassning, produktsupport, nätverksanslutning, automatiska programvaruuppdateringar och nya funktioner.

Observera:

- Om appen inte kan identifiera din produkt bör du kontrollera att Bluetooth och wifi är aktiverade på din enhet.
- Se också till att Bang & Olufsen-appen har behörighet att söka efter enheter i det lokala nätverket.
- Gå till Inställningar, välj Bang & Olufsen-appen och aktivera Bluetooth samt
- Lokalt nätverk. Alternativt kan du ställa in behörigheterna för din enhet så att den kan komma åt enheter i närheten, beroende på ditt operativsystem.



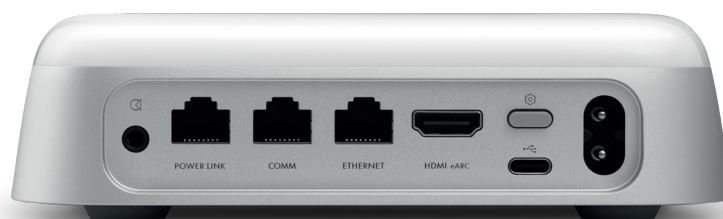
## ATT KOMMA IHÅG VID INSTALLATION

Innan du ansluter några kablar eller enheter till Beoconnect Core måste du kontrollera att allt är avstängt och bortkopplat från elnätet. Innan du ansluter några kablar eller enheter till Beoconnect Core måste du kontrollera att allt är avstängt och bortkopplat från elnätet.

Använd Bang & Olufsen-appen för att ansluta din Beoconnect Core till internet. När Beoconnect Core är ansluten söker den efter tillgängliga programvaruuppdateringar.

Automatiska programuppdateringar kan konfigureras i Bang & Olufsen-appen.

Obs! Den enda kabel som ingår är en lokal strömkabel.



## KÄLLOR

Med Beoconnect Core kan du streama din favoritmusik från följande källor

### Bang & Olufsen-radio

Använd Bang & Olufsen-appen för att välja kanaler och ställa in favoriter.

### Streaming med Beolink, AirPlay och Chromecast

från enheten samt Multiroom-funktioner.

### Streaming av Spotify, Tidal och Deezer

Connect via molnet samt möjlighet att välja favoriter.

### Bluetooth 5.3

För att streama ljud och ansluta en BeoreMOTE One BT eller BeoreMOTE Halo.

### Wi-Fi

IEEE802.11 b/a/g/n/ac/ax

### Line/optisk ingång

3,5 mm kombinationsuttag för analog eller digital anslutning till musikspelare.

### Power Link

För anslutning till de flesta Beolab-högtalare.

### COMM

För anslutning till en Beosound Shape.

### Ethernet

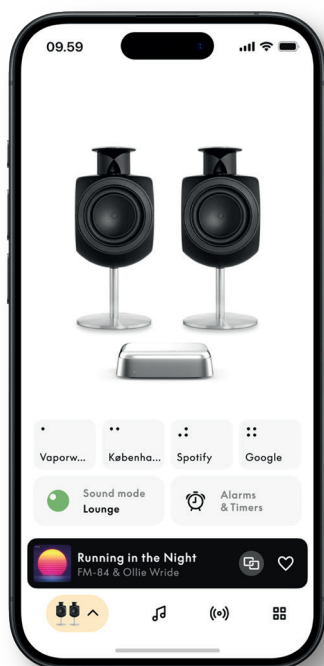
Kabelanslutning till ditt hemnätverk.

### HDMI eARC

Tv-apparater från tredje part med ARC/eARC

### USB-C

För digital ljudanslutning till Beolab 50/90 eller för att ansluta ljud från en dator.



## ANPASSA LJUDET I BANG & OLUFSEN-APPEN

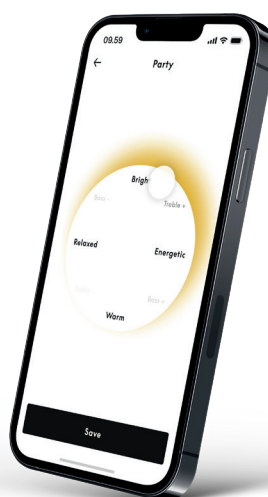
Justera ljudet och få ut mesta möjliga av dina högtalare och Beoconnect Core med hjälp av Bang & Olufsen-appen. Med olika ljudlägen kan du anpassa ljudet efter eget tycke och smak.

Beoconnect Core inkluderar ljudläget Optimal redan från start. Du kan också spara egna anpassade ljudlägen för senare användning från Beosonic och aktivera dem från listan.

Om du vill radera ett sparad ljudläge trycker du på det och sveper åt vänster för att visa raderingsknappen. För att redigera ett sparad ljudläge trycker du och håller ner på det ljudläge som du vill redigera.

### Beosonic

Vårt akustikteam har utvecklat avancerade digitala ljudalgoritmer som gör att du kan utforska olika ljudutrymmen bara genom att flytta omkring cirkeln.



### Beosound Shape-lägen

Med Beosound Shape kan du välja mellan tre olika sätt att lyssna. I samtliga tre ljudlägen mixas vänster och höger kanal om till det antal högtalare som finns i den aktuella installationen:

- **Band on the Wall:** När du använder ljudläget Band on the Wall stannar den huvudsakliga rösten kvar på samma ställe och återstående delar av mixningen sprids oavsett lyssnarens position.
- **Social:** När du använder ljudläget Following sound stage stannar den huvudsakliga rösten kvar framför lyssnaren och återstående delar av mixningen sprids oavsett lyssnarens position.
- **Stereo:** När du använder ljudläget Stereo kommer den huvudsakliga rösten från den närmaste yttre högtalaren, som i en traditionell stereokonfiguration. Till skillnad från en traditionell stereokonfiguration kommer dock återstående högtalare att förstärka ljudscenen mellan högtalarna. Det här ljudläget är avsett att användas när Beosound Shape är en del av en flerkanalig surround-installation, dvs. som en bakre högtalare.

## FAVORITTER

Beoconnect Core stöder favoriter genom Bang & Olufsen-appen eller en parkopplad fjärrkontroll med favoritknappar (MyButton).

Gå till Radio på produktsidan i Bang & Olufsen-appen och välj Sök för att välja en station. Tryck på Mer-ikonen för att tilldela den till en favorit.

Knapparna är förprogrammerade med de mest populära radiostationerna i ditt område och kan enkelt anpassas efter dina önskemål: växla till andra stationer med Bang & Olufsen Radio eller få tillgång till spellistor via Spotify Connect, Deezer Connect eller Tidal Connect.

För att spara en favorit börjar du spela upp antingen radio eller en spellista på din Beoconnect Core. Tryck sedan på den favoritknapp på fjärrkontrollen som du vill tilldela favoriten till och håll den intryckt i två sekunder. Ett bekräftelsejud anger att ditt val har sparats. I Bang & Olufsen-appen kan du hålla favoritknappen nedtryckt för att spara den radiostation eller spellista som för närvarande spelas upp till den knappen. När du har sparat dina favoriter kan du enkelt komma åt dem med en kort knapptryckning.



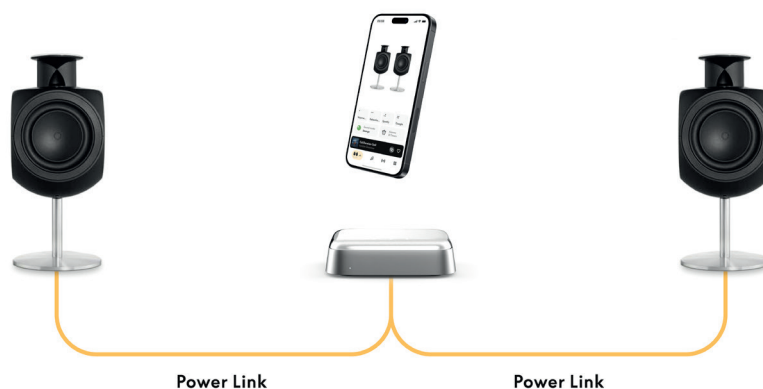
## ANSLUT TILL BEOLAB-HÖGTALARE VIA POWERLINK

Genom att använda en Power Link-anslutning för stereo kan du omvandla dina Beolab-högtalare till moderna streaminghögtalare. Beoconnect Core har en Power Link-utgång (RJ45) som kan användas för att ansluta två Beolab-högtalare till en Power Link-ingång. Det finns två sätt att ansluta via Power Link.

- **Kedjekoppla:** Om dina högtalare har två Power Link-uttag kan du ansluta från Beoconnect Core till den första högtalaren och sedan från den första högtalaren till den andra högtalaren.
- **Delning:** Anslut en Power Link-delningskabel till Beoconnect Core, och anslut sedan båda högtalarna till delningskabeln.

När du har anslutit högtalarna via Power Link ansluter du alla enheter till elnätet och fortsätter konfigurationen i Bang & Olufsen-appen. När du har anslutit Beoconnect Core till ditt nätverk måste du konfigurera dina anslutna högtalare och se till att vänster och höger roll är rätt inställda.

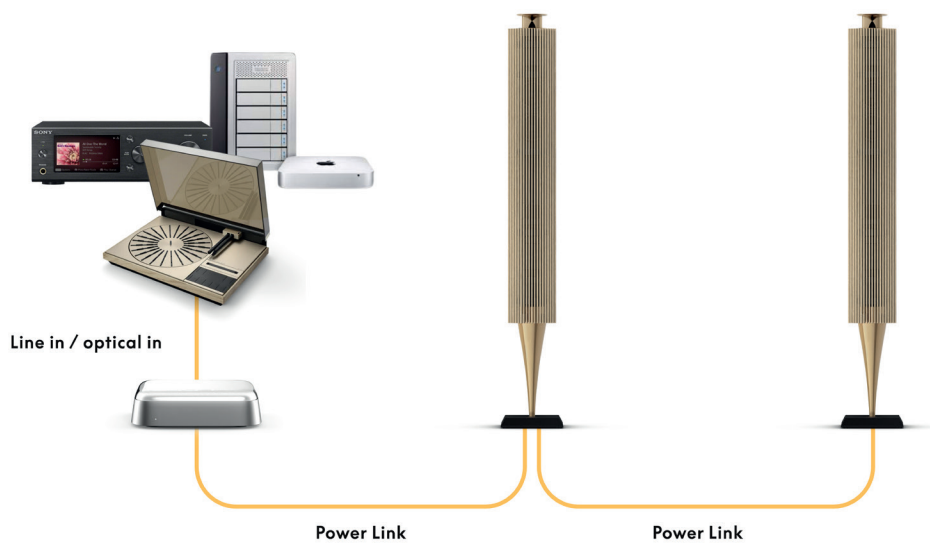
Kontakta din Bang & Olufsen-återförsäljare för rätt uppsättning kablar för dina högtalare och önskad konfiguration.



ANSLUT TILL EXTERNA LJUDKÄLLOR

Illustrationen ovan visar hur du kan lägga till Beolab-högtalare till en musikkälla. 3,5 mm-uttaget på Beoconnect Core kan användas för att ansluta en analog eller digital (optisk) ljudkälla på linjenivå så att den spelas upp via de anslutna högtalarna. Kontakta din Bang & Olufsen-återförsäljare för rätt uppsättning kablar för att ansluta din enhet.

Obs! Om du vill ansluta en skivspelare krävs en RIAA-förförstärkare, antingen inbyggd i skivspelaren eller externt mellan skivspelaren och din Beoconnect Core.



### ANSLUT TILL EN TV FRÅN TREDJE PART

Beoconnect Core kan anslutas till de flesta tv-apparater som inte kommer från Bang & Olufsen, så att ljudet från dina favoritprogram kan spelas upp via anslutna högtalare.

Koppla bara Beoconnect Core till din tv med en HDMI-kabel genom att ansluta den ena änden till HDMI eARC-porten på Beoconnect Core och den andra änden till HDMI eARC/ARC-porten på din tv. Titta på märkningen av portarna på din tv för att hitta rätt.

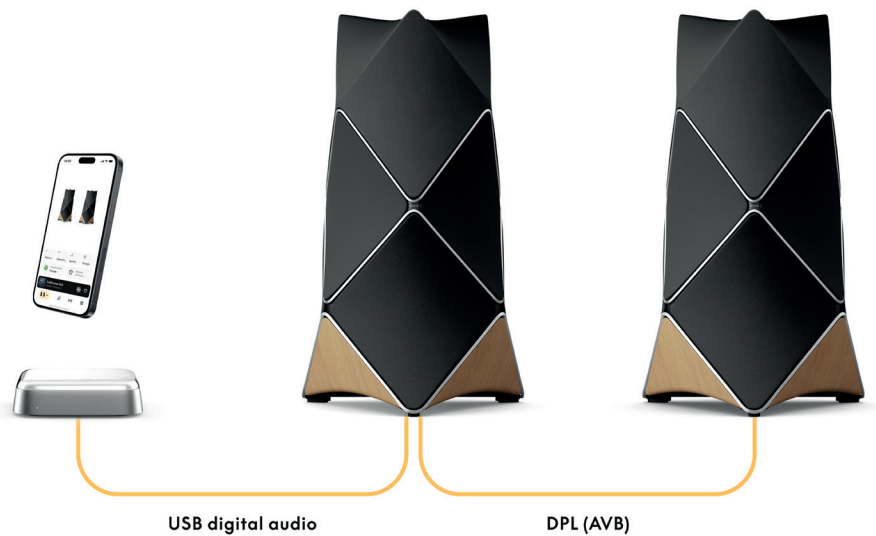
När Beoconnect Core är ansluten synkroniseras den med din tv, slås på och går in i standbyläge tillsammans med tv:n. Du kan justera volymen med fjärrkontrollen till tv:n.

Obs! Du kan behöva konfigurera din tv så att den endast sänder ut stereoljud (PCM). Beoconnect Core kan inte avkoda surroundljudformat som Dolby Atmos, som är standard på vissa tv-apparater.



ANSLUT TILL BEOLAB 50 ELLER 90

Beolab 50- och 90-högtalare kan anslutas till USB-C-porten för att skapa en helt digital signalkedja från källan till högtalaren. Använd en USB-C till USB-B 2.0-kabel mellan Beoconnect Core och den primära högtalaren. Anslut den primära och sekundära högtalaren till varandra via DPL (RJ45)-uttagen. När du har anslutit högtalarna via USB ansluter du alla enheter till elnätet och fortsätter konfigureringen i Bang & Olufsen-appen. När du har anslutit Beoconnect Core till ditt nätverk kommer du att se ett alternativ för att aktivera Beolab 50 eller 90 på kontrollskärmen.





## ANSLUT TILL BEOSOUND SHAPE

Uppdatera din Beosound Shape med Beoconnect Core för förbättrad ljudkvalitet och direkt digital anslutning till förstärkarna.

### Observera:

Ett fäste behövs för att installera Beoconnect Core i en Beosound Shape-konfiguration.

Anslut en RJ45 Cat7-kabel från COMM-uttaget på Beoconnect Core till COMM In-uttaget på den primära Beosound Shape-förstärkaren.

När du byter ut Beosound Core i en befintlig Beosound Shape-konfiguration mot Beoconnect Core måste du se till att koppla bort Beosound Shape från elnätet. Anslut sedan alla kablar mellan Beoconnect Core och den primära förstärkaren. Anslut sedan både förstärkaren och Beoconnect Core till elnätet. Slå först på förstärkaren och därefter Beoconnect Core.

### Observera:

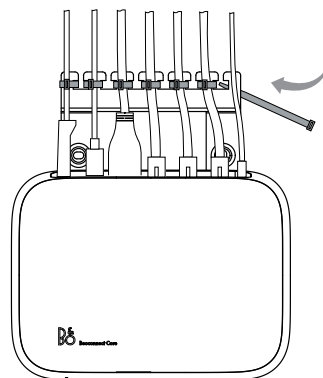
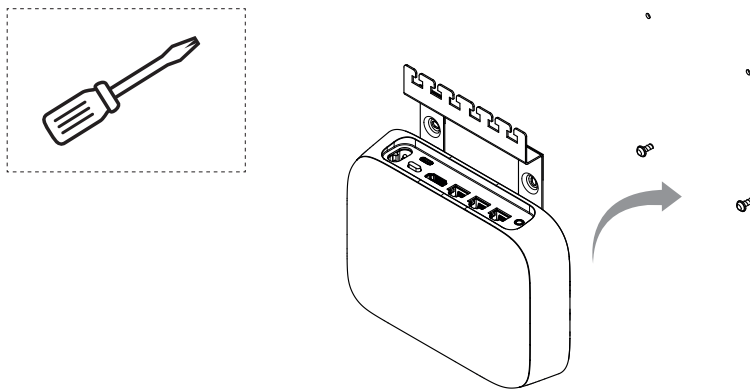
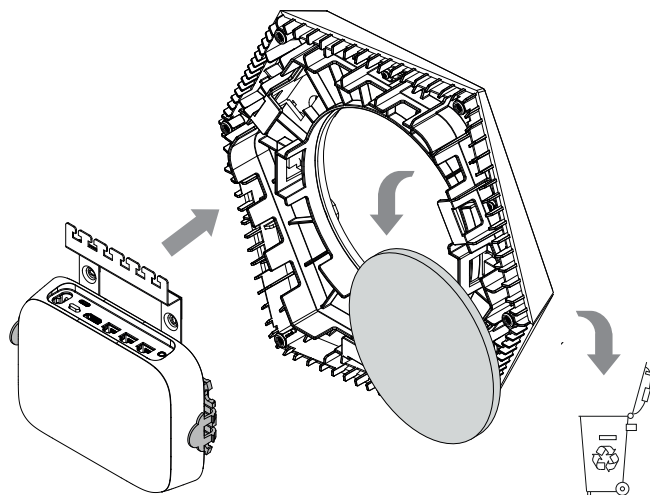
När de är påslagna fortsätter du konfigurationen i Bang & Olufsen-appen. Du behöver ha design-id:t för din unika Beosound Shape-design redo, eftersom du måste ange det i appen för att slutföra konfigurationen.



VÄGG- OCH BEOSOUND SHAPE-FÄSTEN

För att montera Beoconnect Core i en Beosound Shape-modul krävs ett Beoconnect Core-fäste. Samma fäste kan användas för att montera Beoconnect Core på väggen. Ytterligare instruktioner finns i handboken som medföljer Beoconnect Core-fästet.

Beoconnect Core-fästet kan köpas från en Bang & Olufsen-återförsäljare och på [www.bang-olufsen.com](http://www.bang-olufsen.com).





## MULTIROOM

Samla hela huset. Beoconnect Core kan kopplas till andra högtalare i ett Multiroom-system där flera högtalare runt om i hemmet spelar upp samma innehåll samtidigt. Du kan njuta av Multiroom på flera olika sätt:

### BeoLink Multiroom

BeoLink Multiroom är Bang & Olufsens eget Multiroom-system. Systemet kan sprida nästan allt\* som spelas på din Beoconnect Core till andra Bang & Olufsen-högtalare och tv-apparater i samma nätverk.

För att lyssna på det som spelas på Beoconnect Core på en annan högtalare håller du [Spela upp/pausa] på den högtalaren nedtryckt (i två sekunder) för att gå med i upplevelsen.

För att gå med i en pågående upplevelse på Beoconnect Core använder du funktionen Anslut på den parkopplade Bang & Olufsen-fjärrkontrollen. Du kan också använda Bang & Olufsen-appen för att se vilka produkter som spelar och lägga till mer till den pågående upplevelsen.

### Observera:

Om du vill använda BeoLink Multiroom och AirPlay tillsammans öppnar du Bang & Olufsen-appen och går till Produktinställningar -> BeoLink Multiroom -> Aktivera AirPlay.

### Observera:

BeoLink Multiroom kan inte användas tillsammans med inbyggd Chromecast eftersom alla Multiroom-upplevelser måste konfigureras med hjälp av Googles egna funktioner, till exempel högtalargrupper.

### Apple AirPlay

Om du vill skapa en Multiroom-upplevelse med AirPlay väljer du flera högtalare i menyn för ljudutgång på din Apple-enhet. Beoconnect Core kan också spela tillsammans med högtalare av andra märken som stöder AirPlay.

### Chromecast built-in

Du kan använda Google Home-appen på din smartphone för att skapa högtalargrupper och sedan casta innehåll till dessa högtalare via Chromecast.

## Bra att veta

### LÄGET FÖR WIFI-KONFIGURERING

Du kan ansluta Beoconnect Core till ett nytt trådlöst nätverk eller återställa anslutningen genom att hålla konfigureringsknappen (Setup) på baksidan av Beoconnect Core nedtryckt i två sekunder. Du hör en ljudsignal och statuslampan börjar blinka gult.

I produktinställningarna i Bang & Olufsen-appen väljer du Återinstallera för att ansluta högtalaren till wifi.

Om du vill avbryta wifi-konfigureringen och ansluta till det tidigare nätverket igen håller du knappen nedtryckt igen.



### ÅTERST. FABRIKSINST.

Du kan återställa fabriksinställningarna genom att hålla konfigureringsknappen (Setup) på baksidan av din Beoconnect Core nedtryckt i åtta sekunder.

Beoconnect Core påbörjar återställningsprocessen och efter ungefär en minut är Beoconnect Core redo för förstagångsinstallation igen.

### DAGLIG ANVÄNDNING

Använd din mobila enhet för att styra Beoconnect Core genom Bang & Olufsen-appen, eller anslut en Bang & Olufsen-fjärrkontroll för de innehållskällor eller tjänster som du föredrar.

#### Bluetooth

För att parkoppla en ny enhet trycker du kort på konfigureringsknappen (Setup). När lampan pulserar blått går du till Bluetooth-inställningarna på din enhet och väljer din Beoconnect Core. När anslutningen är klar är du redo att spela.

Om din enhet redan har parkopplats kan du återansluta den från Bluetooth-inställningarna på din enhet utan att behöva gå igenom parkopplingen igen.





## LJUSINDIKATOR

Indikatorlampan sitter på framsidan av Beoconnect Core och visar produktens status:

INDIKATOR	STATUS
<b>Vit</b>	
Fast	Ansluten till nätverket, klar för användning
Blinkande	Startar
Långsamt pulserande	Uppspelning pausad
<b>Blått</b>	
Fast (5 sek)	*Ansluten/Bluetooth-parkopplad
Pulserande	Öppen för Bluetooth-parkoppling
<b>Rött</b>	
Fast	Statiskt fel*
Blinkande	Övergående fel, t.ex. överhettning
<b>Gult</b>	
Fast	Ingen nätverksanslutning, anslutningen har avbrutits
Blinkande	Klar för nätverksinstallation
Pulserande	Ansluter till nätverket
<b>Grön</b>	
Pulserande	Programvaruuppdatering pågår – vänta tills lampan lyser fast vitt igen

\*Kontakta kundtjänst för hjälp.

Det här kan också göras från avsnittet Support i Bang & Olufsen-appen.



## Kom i gang

### INTRODUKSJON

Din Beoconnect Core er mye mer enn en strømmeboks: Den vil bære Bang & Olufsen-produktene dine inn i fremtiden.

I denne veiledningen finner du informasjon om daglig bruk av Beoconnect Core og tilkoblede produkter samt detaljerte beskrivelser av funksjonene.

Bang & Olufsen-forhandleren din er første stoppested for servicehenvendelser. Her finner du din nærmeste forhandler:

[stores.bang-olufsen.com/en/search](https://stores.bang-olufsen.com/en/search)



### LAST NED BANG & OLUFSEN-APPEN

For å konfigurere Beoconnect Core må du laste ned Bang & Olufsen-appen fra en app-butikk.

I appen kan du konfigurere produktet og få hele Bang & Olufsen-opplevelsen. Få tilgang til hele produktopplevelsen med tilpasning av lyd, produktstøtte, nettverkstilkobling, automatiske programvareoppdateringer og nye funksjoner, alt innen rekkevidde.

Merk:

- Hvis appen ikke oppdager produktet, må du sørge for at Bluetooth og wifi er aktivert på enheten din.
- Du må også gi Bang & Olufsen-appen tillatelse til å søke etter enheter på det lokale nettverket.
- Gå til «Innstillinger», velg «Bang & Olufsen»-appen og aktiver «Bluetooth» og «Lokalt nettverk» eller angi tillatelser for at enheten skal få tilgang til enheter i nærheten, avhengig av operativsystemet.

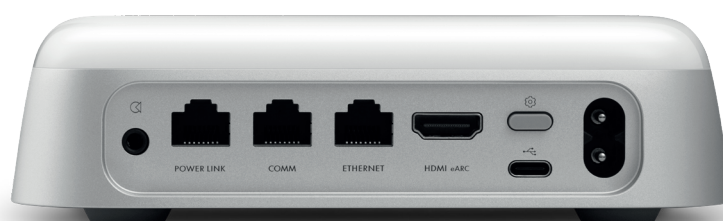


**HUSK NÅR DU KONFIGURERER**

Før du kobler til noen kabler eller enheter til Beoconnect Core, må du sørge for at alt er slått av og koblet fra strømmettet. Før du kobler til noen kabler eller enheter til Beoconnect Core, må du sørge for at alt er slått av og koblet fra strømmettet.

Bruk Bang & Olufsen-appen til å koble Beoconnect Core til internett. Når Beoconnect Core er tilkoblet, søker den etter tilgjengelige programvareoppdateringer.

Automatiske programvareoppdateringer kan konfigureres i Bang & Olufsen-appen. Merk: Den eneste kablen som følger med, er en strømkabel til lokal strømforsyning.

**KILDER**

Med Beoconnect Core kan du strøkke favorittmusikken din ved hjelp av følgende kilder:

**Bang & Olufsen Radio**

Bruk Bang & Olufsen-appen til å velge stasjoner og stille inn favoritter.

**Beolink, AirPlay and Chromecast**

Strømming fra enhets- og multiroom-funksjoner.

**Spotify, Tidal and Deezer Connect**

Strømming via skyen og alternativer for å stille inn favoritter.

**Bluetooth 5.3**

For strømming av lyd og tilkobling av en Beoremote One BT eller Beoremote Halo.

**Wi-Fi**

IEEE802.11 b/a/g/n/ac/ax

**Line/optical-in**

3,5 mm kombinasjonsplugg for analog eller digital tilkobling til musikkspillere.

**Power Link**

For tilkobling til de fleste Beolab-høytalere.

**COMM**

For tilkobling til en Beosound Shape.

**Ethernet**

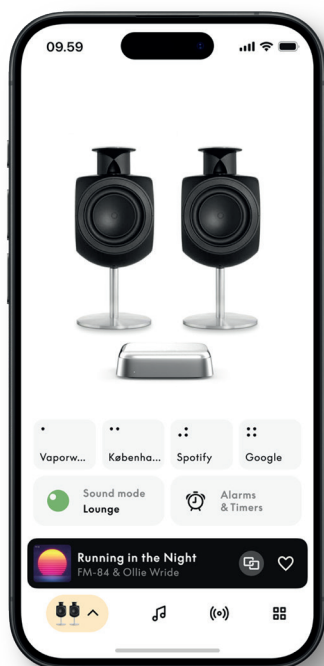
Kablet tilkobling til hjemmenettverket ditt.

**HDMI eARC**

Tredjeparts TV-er med ARC/eARC

**USB-C**

For digital lydtilkobling til Beolab 50/90 eller for å koble til lyd fra en datamaskin.



## TILPASS LYDEN I BANG & OLUFSEN-APPEN

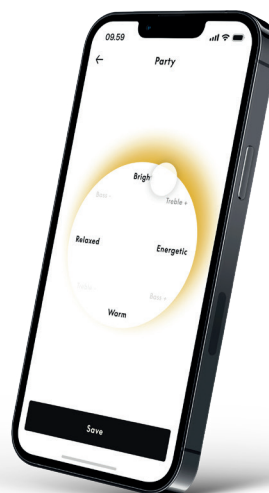
Juster lyden og få mest mulig ut av høyttalerne dine og Beoconnect Core ved hjelp av Bang & Olufsen-appen. Med lydmodier kan du tilpasse lyden etter eget ønske.

Beoconnect Core inkluderer den optimale lydmodusen fra starten av. Men tilpassede lydmodier kan lagres til senere fra Beosonic og aktiveres fra listen.

Hvis du vil slette en lagret lydmodus, må du trykke på den og sveipe til venstre for å vise sletteknappen. For å redigere en lagret lydmodus må du trykke og holde på lydmodusen du vil redigere.

### Beosonic

Avanserte digitale lydalgoritmer utviklet av akustikkteamet vårt gjør at du kan utforske forskjellige lydrom bare ved å skyve rundt på sirkelen.



### Beosound Shape-modier

Med Beosound Shape kan du velge mellom tre forskjellige måter å lytte på. Alle tre lydmodiene remikser venstre og høyre kanaler til antallet høyttalere i den aktuelle konfigurasjonen:

- **Band on the Wall:** Når du bruker lydmodusen «Band on the Wall», forblir hovedvokalistens i samme posisjon, og de andre delene av miksen blir fordelt rundt, uansett hvor lytteren befinner seg.
- **Social:** Når du bruker lydmodusen «Following Sound Stage», forblir hovedvokalistens posisjon foran lytteren, og de andre delene av miksen blir fordelt rundt, uansett hvor lytteren befinner seg.
- **Stereo:** Når du bruker lydmodusen «Stereo», høres hovedvokalistens i den nærmeste av de ytterste høyttalerne, som i tradisjonell stereokonfigurasjon. Men i motsetning til tradisjonell stereokonfigurasjon forbedrer de andre høyttalerne lydbildet mellom høyttalerne. Denne lydmodusen er ment å brukes når Beosound Shape er en del av en flerkanals surround-oppsett, dvs. som bakre høyttaler



## FAVORITTER

Beoconnect Core støtter favoritter gjennom Bang & Olufsen-appen eller en parret fjernkontroll som har favorittknapper (MyButtons).

På produktsiden i Bang & Olufsen-appen går du til Radio, og deretter til Søk for å velge en stasjon. Trykk på Mer-ikonet for å tilordne den til en favoritt.

Knappene er forhåndsprogrammert med de mest populære radiostasjonene i området ditt og kan lett tilpasses til preferansene dine: Bytt til andre stasjoner ved hjelp av Bang & Olufsen Radio eller få tilgang til spillelister gjennom Spotify Connect, Deezer Connect eller Tidal Connect.

Lagre en favoritt ved å begynne å spille enten en radio eller en spilleliste på din Beoconnect Core. Så trykker du og holder på favorittknappen som du vil tilordne favoritten til, på fjernkontrollen i to sekunder. Et lydsignal bekrefter at valget ditt er lagret. I Bang & Olufsen-appen trykker og holder du på favorittknappen for å lagre radiostasjonen eller spillelisten som spiller for øyeblikket, til den knappen. Når de er lagret, har du tilgang til favoritten med et kort trykk på knappen.



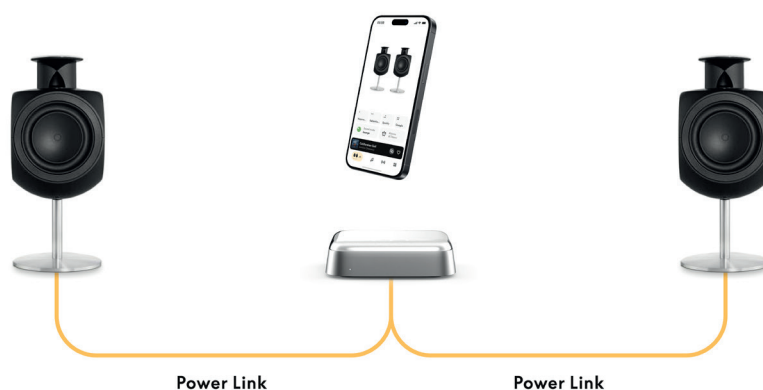
## KOBLE TIL BEOLAB-HØYTTALERE VIA POWERLINK

Ved å bruke en Power Link-tilkobling for stereo kan du gjøre om Beolab-høytalerne dine til moderne strømmehøytalere. Beoconnect Core har en Power Link-utgang (RJ45) som kan kobles to Beolab-høytalere med en Power Link-inngang. Det er to måter å koble til via Power Link på

- **Seriekobling:** Hvis høytalerne dine har to Power Link-kontakter, kan du koble fra Beoconnect Core til den første høytaleren, og deretter fra den første til den andre høytaleren.
- **Splitter:** Koble en Power Link-splitterkabel til Beoconnect Core, og deretter begge høytalerne til splitteren.

Etter at du har koblet sammen alle høytalerne via Power Link, kobler du alle enhetene til strømmenettet og fortsetter konfigurasjonen i Bang & Olufsen-appen. Når du har koblet Beoconnect Core til nettverket, må du konfigurere de sammenkoblede høytalerne og sørge for at den venstre og høyre rollen er riktig innstilt.

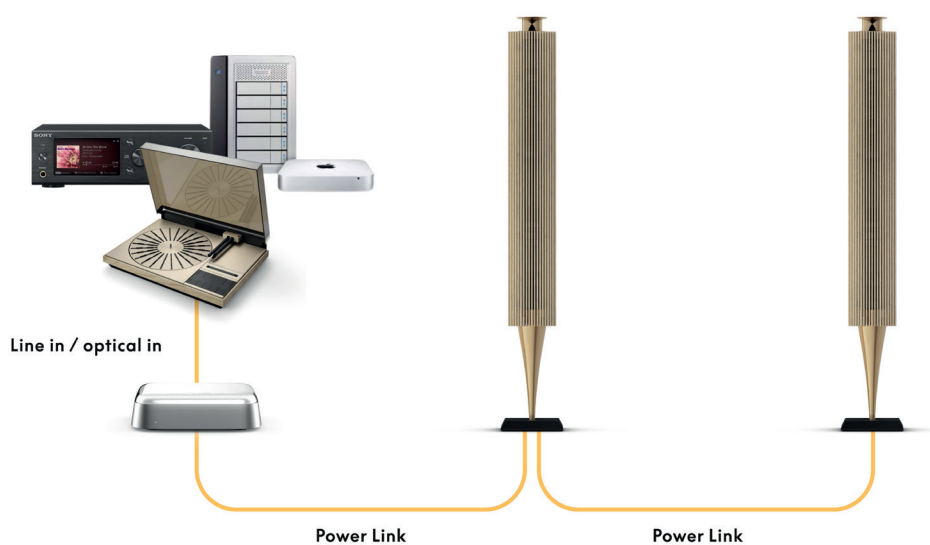
Kontakt Bang & Olufsen-forhandleren for å få de riktige kablene for dine høytalere og det oppsettet du vil ha.



KOBLE TIL EKSTERNE LYDKILDER

Illustrasjonen ovenfor viser hvordan du kan koble Beolab-høytalere til en musikkilde. Den 3,5 mm pluggen på Beoconnect Core kan brukes til å koble til en hvilken som helst analog eller digital (optisk) lydkilde på linjenivå, slik at den kan spilles av gjennom de tilkoblede høytalere. Kontakt Bang & Olufsen-forhandleren for å få riktige kabler til å koble til enheten din.

Merk: Hvis du vil koble til en platespiller, kreves det en RIAA-forforsterker enten innebygd i platespilleren eller eksternt mellom den og Beoconnect Core.



#### KOBLE TIL TREDJEPARTS TV

Beoconnect Core kan kobles til de fleste TV-er som ikke er Bang & Olufsen, slik at du kan spille av lyd fra favorittprogrammene dine gjennom de tilkoblede høyttalerne.

Dette gjør du enkelt ved å koble Beoconnect Core til TV-en ved hjelp av en HDMI-kabel. Plugg den ene enden inn i HDMI eARC-porten på Beoconnect Core og den andre i HDMI eARC/ARC-porten på TV-en. Se etter de merkede portene på TV-en for å finne den riktige.

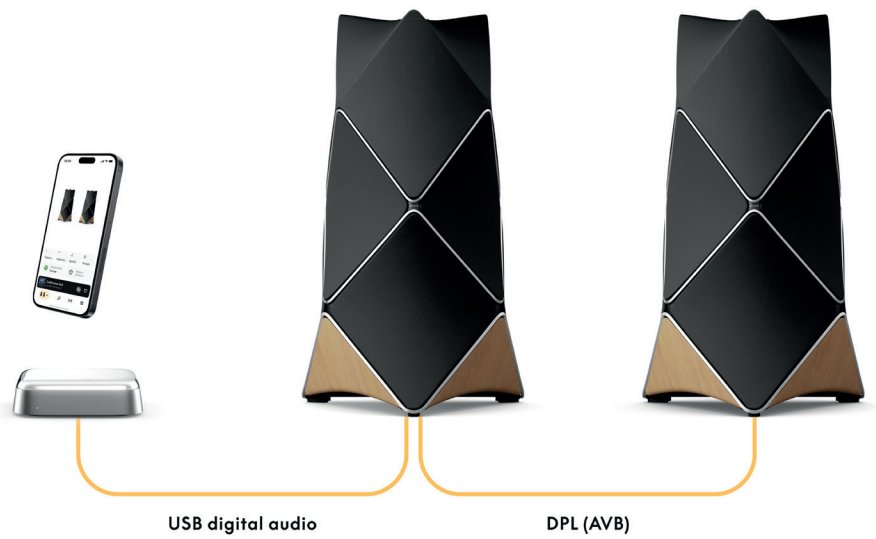
Når de er koblet sammen, synkroniserer Beoconnect seg med TV-en, slår seg på og går inn i standby-modus sammen med den. Du kan justere volumet med TV-fjernkontrollen.

Merk: Det kan være du må konfigurere TV-en slik at den bare sender ut stereolyd (PCM). Beoconnect Core kan ikke dekode surround-lydformater, som Dolby Atmos, som er standard på enkelte TV-er.



KOBLE TIL BEOLAB 50 OR 90

Beolab 50- og 90-høytalere kan kobles til USB-C-porten for å skape en heldigital signalkjede fra kilden til høyttaleren. Bruk en USB-C til USB-B 2.0-kabel mellom Beoconnect Core og den primære høyttaleren. Koble sammen primær- og sekundær-høyttalerne via DPL-kontaktene (RJ45). Etter at du har koblet sammen høyttalerne via USB, kobler du alle enhetene til strømmettet og fortsetter konfigureringen i Bang & Olufsen-appen. Når du har koblet Beoconnect Core til nettverket, ser du et alternativ for å aktivere Beolab 50 eller 90 på kontrollskjermen.



## KOBLE TIL BEOSOUND SHAPE

Oppdater din Beosound Shape med Beoconnect Core for å få forbedret lyd kvalitet og direkte digital tilkobling til forsterkerne.

Merk:

Du trenger en brakett for å installere Beoconnect Core i et Beosound Shape-oppsett.

Koble en RJ45 Cat7-kabel fra «COMM»-kontakten på Beoconnect Core til «COMM In»-kontakten på den primære Beosound Shape-forsterkeren.

Når du skifter ut Beosound Core i et eksisterende Beosound Shape-oppsett med Beoconnect Core, må du koble Beosound Shape fra strømmettet. Deretter kobler du sammen alle kablene mellom Beoconnect Core og den primære forsterkeren. Etterpå kobler du både forsterkeren og Beoconnect Core til strømmettet. Pass på å slå på forsterkeren først, og deretter Beoconnect Core.

Merk:

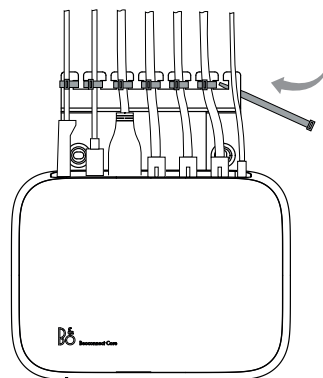
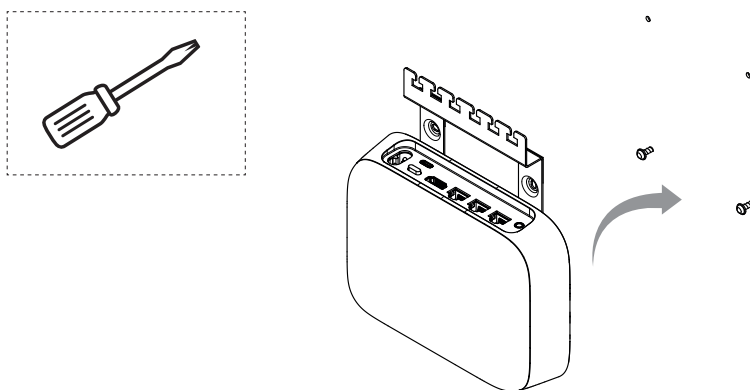
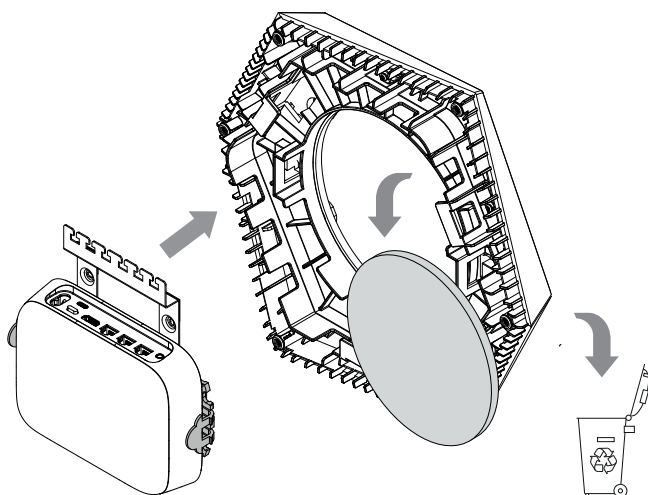
Når de er slått på, kan du fortsette konfigurasjonen i Bang & Olufsen-appen. Sørg for å ha Design-ID-en til din unike Beosound Shape-design klar, for du må skrive den inn i appen for å fullføre oppsettet.



BRAKETT LØSNINGER FOR VEGG OG BEOSOUND SHAPE

For å montere Beoconnect Core i en Beosound Shape-flis må du bruke en Beoconnect Core Bracket. Den samme braketten kan brukes til å montere Beoconnect Core på veggen. Du finner videre instruksjoner i veiledningen som følger med Beoconnect Core Bracket.

Beoconnect Core Bracket kan kjøpes hos Bang & Olufsen-forhandlere og [www.bang-olufsen.com](http://www.bang-olufsen.com).





## MULTIROOM

Samle hele huset til ett. Beoconnect Core kan kobles til andre høyttalere i et multiroom-system og gjøre det mulig for flere høyttalere i huset å spille av samme innhold samtidig. Du kan nyte multiroom på flere forskjellige måter:

### Beolink Multiroom

Beolink Multiroom er Bang & Olufsens eget multiroom-system. Det kan distribuere nesten hva som helst\* som spilles av på din Beoconnect Core til andre Bang & Olufsen-høyttalere og TV-er på samme nettverk.

Du kan lytte til det som spilles av på Beoconnect Core, på en annen høyttaler ved å trykke og holde på [play/ pause] på den høyttaleren (i to sekunder) for å ta del i opplevelsen.

For å delta i en pågående opplevelse på Beoconnect Core kan du bruke Koble-funksjonen på den parede Bang & Olufsen-fjernkontrollen eller bruke Bang & Olufsen-appen for å se hvilke produkter som spiller, og legge til flere i den pågående opplevelsen.

#### Merk:

For å bruke Beolink Multiroom og AirPlay sammen åpner du først Bang & Olufsen-appen og går til Produktinnstillinger -> Beolink Multiroom -> Aktiver AirPlay.

#### Merk:

Beolink Multiroom kan ikke brukes sammen med innebygd Chromecast, da alle multiroom-opplevelser må konfigureres med Googles egne funksjoner, som høyttalergrupper.

### Apple AirPlay

For å opprette en multiroom-opplevelse med AirPlay velger du flere høyttalere fra lydutgangsmenyen på Apple-enheten din. Beoconnect Core kan også spille sammen med høyttalere fra andre merker som støtter AirPlay.

### Innebygd Chromecast

Du kan bruke Google Home-appen på smarttelefonen for å opprette høyttalergrupper, og deretter caste innhold til disse høyttalerne via Chromecast.



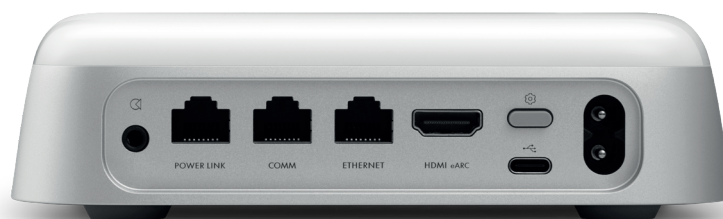
## Godt at vide

### WIFI OPPSETT MODUS

Du kan koble din Beoconnect Core til et nytt trådløst nettverk eller tilbakestille tilkoblingen ved å trykke og holde på konfigureringknappen (Setup) på baksiden av Beoconnect Core i 2 sekunder. Du får høre et lydsignal, og statusindikatoren begynner å blinke gult.

I produktinnstillingene i Bang & Olufsen-appen velger du Konfigurer på nytt for å koble høyttaleren til Wi-Fi.

Hvis du vil avbryte wifi-konfigurasjonen og koble tilbake til det forrige nettverket, må du trykke og holde på knappen igjen.



### FACTORY RESET

Du kan gjenopprette fabrikkinnstillingene ved å trykke og holde på konfigureringknappen (Setup) på baksiden av Beoconnect Core i 8 sekunder.

Beoconnect Core begynner da tilbakestillingsprosessen, og etter ca. ett minutt er Beoconnect Core klar for førstegangskonfigurasjon igjen.

### DAGLIG BRUK

Bruk mobilenheten din til å kontrollere Beoconnect Core gjennom Bang & Olufsen-appen eller koble til en Bang & Olufsen-fjernkontroll for innholdskildene eller tjenestene du foretrekker.

#### Bluetooth

For å pare en ny enhet trykker du kort på konfigureringknappen. Når lyset begynner å pulsere blått, går du til Bluetooth-innstillingene på enheten og velger Beoconnect Core. Når de er koblet sammen, er du klar til å spille av.

Hvis enheten allerede har vært paret, kan du koble den til igjen fra Bluetooth-innstillingene på enheten uten å behøve å gå gjennom paring igjen.





## LYSINDIKATOR

Lysindikatoren er på forsiden av Beoconnect Core og viser statusen på produktet:

### S T A T U S

### I N D I K A S J O N

#### Hvitt

Fast  
Blinker  
Pulserer sakte

Koblet til nettverket, klar til bruk  
Starter opp  
Avspilling satt på pause

#### Blått

Fast (5 sek.)  
Pulserer

\*Tilkoblet/Bluetooth-paret  
Åpen for Bluetooth-paring

#### Rødt

Fast  
Blinker

Statisk feil\*  
Forbigående feil, f.eks. overoppheting

#### Gult

Fast  
Blinker  
Pulserer

Ingen nettverkstilkobling, tilkobling tapt  
Klar for nettverkskonfigurasjon  
Kobler til nettverk

#### Grønt

Pulserer

Programvareoppdatering pågår – vent til lyset blir fast hvitt igjen

\*Kontakt kundeservice for å få hjelp.

Dette er også mulig fra kundestøtte-delen i Bang & Olufsen-appen.

## Erste Schritte

### EINFÜHRUNG

Ihr Beoconnect Core ist viel mehr als eine Streaming-Box: Sie trägt Ihre Bang & Olufsen-Produkte in die Zukunft.

In diesem Handbuch finden Sie Informationen über den täglichen Gebrauch Ihres Beoconnect Core und der angeschlossenen Produkte sowie detaillierte Beschreibungen der Merkmale und Funktionen.

Ihr Bang & Olufsen-Fachhändler ist der erste Ansprechpartner bei all Ihren Servicefragen. Hier finden Sie einen Fachhändler in Ihrer Nähe:

[stores.bang-olufsen.com/en/search](https://stores.bang-olufsen.com/en/search)



### LADEN SIE DIE BANG & OLUFSEN-APP HERUNTER

Um Ihren Beoconnect Core einzurichten, laden Sie die Bang & Olufsen-App aus Ihrem zutreffenden App-Store herunter.

In der App können Sie Ihr Produkt einrichten und so das Bang & Olufsen-Erlebnis in vollen Zügen genießen. Schalten Sie das volle Produkterlebnis frei: Audio-Personalisierung, Produktsupport, Netzwerkverbindung, automatische Software-Updates und neue Funktionen auf Knopfdruck.

Hinweis:

- Wenn die App Ihr Produkt nicht erkennt, überprüfen Sie bitte, ob Bluetooth und WLAN auf Ihrem Gerät aktiviert sind.
- Stellen Sie außerdem sicher, dass die Bang & Olufsen-App nach Geräten im lokalen Netzwerk sucht.
- Gehen Sie zu „Einstellungen“, wählen Sie die „Bang & Olufsen“-App aus und aktivieren Sie „Bluetooth“ und
- „Lokales Netzwerk“ oder legen Sie die Berechtigungen für Ihr Gerät fest, um je nach Betriebssystem auf Geräte in der Nähe zuzugreifen.



BEI DER EINRICHTUNG ZU BEACHTEN

Bevor Sie Kabel oder Geräte an den Beoconnect Core anschließen, stellen Sie sicher, dass alles ausgeschaltet und vom Stromnetz getrennt ist. Bevor Sie Kabel oder Geräte an den Beoconnect Core anschließen, stellen Sie sicher, dass alles ausgeschaltet und vom Stromnetz getrennt ist.

Verwenden Sie die Bang & Olufsen-App, um Ihren Beoconnect Core mit dem Internet zu verbinden. Sobald der Beoconnect Core verbunden ist, sucht er nach verfügbaren Software-Updates.

Automatische Software-Updates können in der Bang & Olufsen-App konfiguriert werden. Hinweis: Das einzige mitgelieferte Kabel ist ein lokalisiertes Netzkabel.



QUELLEN

Mit dem Beoconnect Core können Sie Ihre Lieblingsmusik über die folgenden Quellen streamen:

**Bang & Olufsen Radio**

Mit der Bang & Olufsen-App können Sie Sender auswählen und Favoriten festlegen.

**Beolink, AirPlay und Chromecast**

Streaming von Gerät- und Multiroom-Funktionen.

**Spotify, Tidal und Deezer Connect**

Streaming über die Cloud und Optionen zum Festlegen von Favoriten.

**Bluetooth 5.3**

Zum Streamen von Audio und zum Verbinden eines BeoreMOTE One BT oder BeoreMOTE Halo.

**Wi-Fi**

IEEE802.11 b/a/g/n/ac/ax

**Line/Optical-in**

3,5-mm-Kombibuchse für den analogen oder digitalen Anschluss an Musikplayer.

**Powerlink**

Für den Anschluss an die meisten Beolab-Lautsprecher.

**COMM**

Für die Verbindung mit einem Beosound Shape.

**Ethernet**

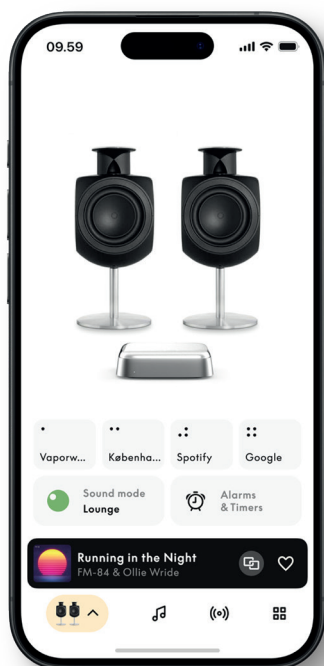
Kabelgebundene Verbindung zu Ihrem Heimnetzwerk.

**HDMI eARC**

Fernseher von Drittanbietern mit ARC/eARC

**USB-C**

Für die digitale Audioverbindung an den Beolab 50/90 oder um Audio von einem Computer anzuschließen.



## IN DER BANG & OLUFSEN-APP IHREN KLANG INDIVIDUALISIEREN

Passen Sie den Klang an und holen Sie das Beste aus Ihren Lautsprechern und dem Beoconnect Core heraus, indem Sie die Bang & Olufsen-App verwenden. Mit den Audiomodi können Sie den Klang nach Ihren Wünschen anpassen.

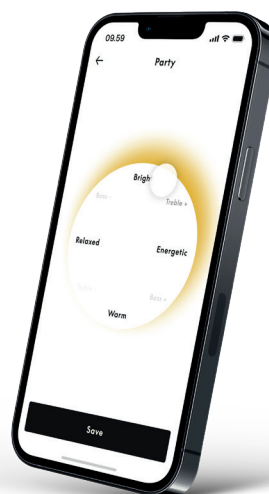
Der Beoconnect Core verfügt von Anfang an über den optimalen Audiomodus.

Benutzerdefinierte Audiomodi können jedoch von Beosonic für später gespeichert und von der Liste aus aktiviert werden.

Um einen gespeicherten Audiomodus zu löschen, tippen Sie darauf und wischen Sie nach links, um die Schaltfläche zum Löschen einzublenden. Um einen gespeicherten Audiomodus zu bearbeiten, halten Sie den Audiomodus gedrückt, den Sie bearbeiten möchten.

### Beosonic

Fortschrittliche digitale Klangalgorithmen, die von unserem Akustik-Team entwickelt wurden, ermöglichen es Ihnen, verschiedene Klangräume zu erforschen, indem Sie einfach den Kreis bewegen.



### Beosound Shape-Modi

Mit Beosound Shape können Sie zwischen drei verschiedenen Hörarten wählen. Alle drei Audiomodi remixen den linken und rechten Kanal auf die Anzahl der Lautsprecher im aktuellen Setup:

- **Band on the Wall:** Bei Verwendung des Audiomodus „Band on the Wall“ verbleibt die Position des Hauptgesangs an derselben Position und die restlichen Teile des Mixes werden unabhängig von der Position des Zuhörers verteilt.
- **Social:** Bei Verwendung des Audiomodus „Following sound stage“ verbleibt die Position des Hauptgesangs vor dem Zuhörer und die übrigen Teile der Mixes werden unabhängig von der Position des Zuhörers verteilt.
- **Stereo:** Bei Verwendung des Audiomodus „Stereo“ wird die Position des Hauptgesangs wie bei der herkömmlichen Stereokonfiguration im nächstgelegenen Lautsprecher angezeigt. Im Gegensatz zum herkömmlichen Stereo-Setup verbessern die verbleibenden Lautsprecher die Klangbühne zwischen den Lautsprechern. Dieser Audiomodus soll verwendet werden, wenn Beosound Shape Teil eines Mehrkanal-Surround-Setups ist, z. B. als hinterer Lautsprecher.

FAVORITEN

Beoconnect Core unterstützt Favoriten über die Bang & Olufsen-App oder eine gekoppelte Fernbedienung, die über Favoritentasten (MyButtons) verfügt.

Gehen Sie auf Ihrer Produktseite in der Bang & Olufsen-App auf „Radio“ und dann auf „Suche“, um einen Sender auszuwählen. Tippen Sie auf das „Mehr“-Symbol, um ihn als Favoriten hinzuzufügen.

Die Tasten sind mit den beliebtesten Radiosendern in Ihrer Region vorprogrammiert und können ganz einfach an Ihre Vorlieben angepasst werden: Wechseln Sie mit Bang & Olufsen Radio zu anderen Sendern oder greifen Sie über Spotify Connect, Deezer Connect oder Tidal Connect auf Wiedergabelisten zu.

Um einen Favoriten zu speichern, spielen Sie auf Ihrem Beoconnect Core ein Radio oder eine Wiedergabeliste ab. Halten Sie anschließend die Favoritentaste, der Sie den Favoriten auf der Fernbedienung zuweisen möchten, zwei Sekunden lang gedrückt. Ein Bestätigungston zeigt an, dass Ihre Auswahl gespeichert wurde. Halten Sie in der Bang & Olufsen-App die Favoritentaste gedrückt, um den aktuell abgespielten Radiosender oder die Wiedergabeliste auf dieser Taste zu speichern. Nach dem Speichern greifen Sie einfach mit einem kurzen Tastendruck auf Ihren Favoriten zu.



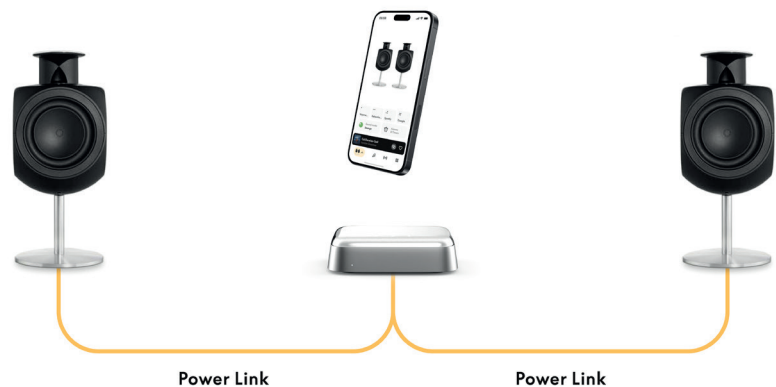
### ÜBER POWERLINK EINE VERBINDUNG ZU BEOLAB LAUSPRECHERN HERSTELLEN

Indem Sie eine Stereo-Powerlink-Verbindung verwenden, können Sie Ihre Beolab-Lautsprecher in Streaming-Lautsprecher von heute verwandeln. Beoconnect Core verfügt über eine Power Link (RJ45)-Ausgangsbuchse, die zwei beliebige Beolab-Lautsprecher mit einem Power Link-Eingang verbinden kann. Es gibt zwei Möglichkeiten, eine Verbindung über Power Link herzustellen:

- **Daisy-Chain:** Wenn Ihre Lautsprecher über zwei Power Link-Anschlüsse verfügen, können Sie eine Verbindung vom Beoconnect Core zum ersten Lautsprecher und dann vom ersten Lautsprecher zum zweiten Lautsprecher herstellen.
- **Splitter:** Schließen Sie ein Power Link-Splitterkabel an den Beoconnect Core an und verbinden Sie dann beide Lautsprecher mit dem Splitter.

Nachdem Sie Ihre Lautsprecher über Power Link angeschlossen haben, schließen Sie alle Geräte an das Stromnetz an und setzen Sie die Einrichtung in der Bang & Olufsen-App fort. Nachdem Sie Ihren Beoconnect Core mit Ihrem Netzwerk verbunden haben, müssen Sie Ihre angeschlossenen Lautsprecher konfigurieren und sicherstellen, dass die linke und rechte Rolle korrekt eingestellt sind.

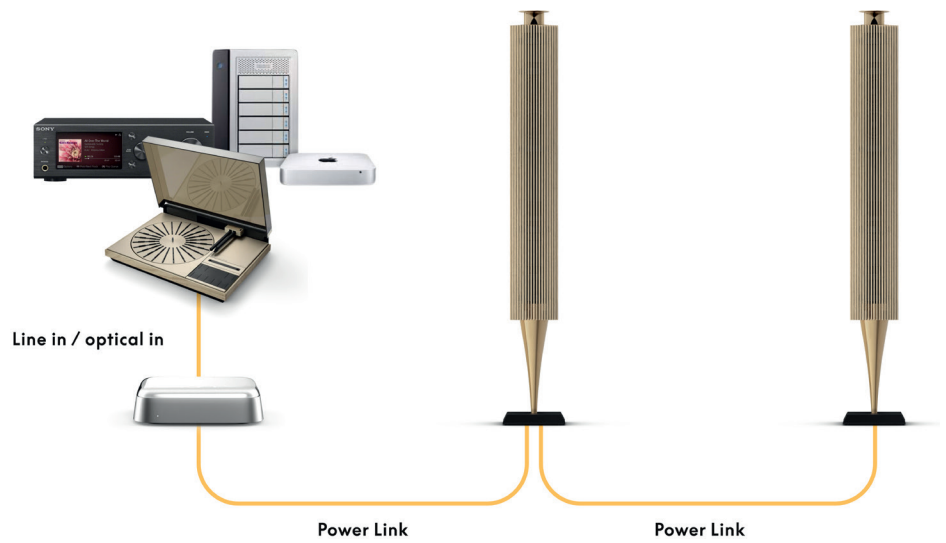
Wenden Sie sich an Ihren Bang & Olufsen-Händler, um den richtigen Kabelsatz für Ihre Lautsprecher und Ihr bevorzugtes Setup zu erhalten.



VERBINDUNG ZU EXTERNEN AUDIOQUELLEN HERSTELLEN

Die Abbildung oben zeigt, wie Sie Beolab-Lautsprecher zu einer Musikquelle hinzufügen können. Die 3,5-mm-Buchse am Beoconnect Core kann verwendet werden, um jede analoge oder digitale (optische) Audioquelle auf Leitungsebene anzuschließen, sodass sie über die angeschlossenen Lautsprecher wiedergegeben wird. Wenden Sie sich an Ihren Bang & Olufsen-Händler, um den richtigen Kabelsatz zum Anschließen Ihres Geräts zu erhalten.

Hinweis: Wenn Sie einen Plattenspieler anschließen möchten, benötigen Sie einen RIAA-Vorverstärker, der entweder in den Plattenspieler eingebaut ist oder extern zwischen ihm und Ihrem Beoconnect Core geschaltet wird.





VERBINDUNG ZU DRITTANBIETER-FERNSEHER HERSTELLEN

Beoconnect Core kann an die meisten Fernseher angeschlossen werden, die nicht von Bang & Olufsen stammen, sodass der Ton Ihrer Lieblingssendungen über angeschlossene Lautsprecher wiedergegeben werden kann.

Verbinden Sie den Beoconnect Core einfach über ein HDMI-Kabel mit Ihrem Fernseher. Stecken Sie ein Ende in den HDMI eARC-Anschluss des Beoconnect Core und das andere in den HDMI eARC/ARC-Anschluss Ihres Fernsehers. Suchen Sie nach den beschrifteten Anschlüssen an Ihrem TV, um den richtigen zu finden.

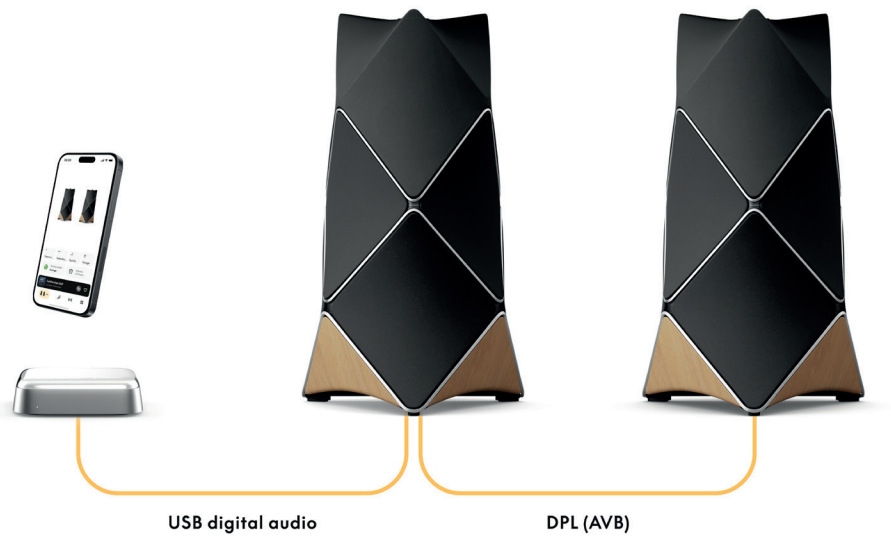
Sobald die Verbindung hergestellt ist, synchronisiert sich der Beoconnect Core mit Ihrem TV, schaltet sich ein und wechselt gleichzeitig in den Standby-Modus. Sie können die Lautstärke mit Ihrer TV-Fernbedienung regeln.

Hinweis: Möglicherweise müssen Sie Ihr TV-Gerät so konfigurieren, dass nur Stereo-Sound (PCM) gesendet wird. Beoconnect Core kann keine Surround-Sound-Formate wie Dolby Atmos dekodieren, die bei einigen Fernsehgeräten die Standardeinstellung sind.



VERBINDUNG ZU BEOLAB 50 ODER 90 HERSTELLEN

Die Lautsprecher Beolab 50 und 90 können an den USB-C-Anschluss angeschlossen werden, um eine vollständig digitale Signalkette von der Quelle bis zum Lautsprecher aufzubauen. Verwenden Sie ein USB-C-auf-USB-B 2.0-Kabel zwischen dem Beoconnect Core und dem Hauptlautsprecher. Verbinden Sie den primären und sekundären Lautsprecher über die DPL (RJ45)-Buchsen miteinander. Schließen Sie nach dem Anschluss der Lautsprecher über USB alle Geräte an das Netz an und setzen Sie die Einrichtung in der Bang & Olufsen-App fort. Nachdem Sie den Beoconnect Core mit Ihrem Netzwerk verbunden haben, wird auf dem Kontrollbildschirm eine Option zur Aktivierung des Beolab 50 oder 90 angezeigt.



## VERBINDUNG ZU BEOSOUND SHAPE HERSTELLEN

Aktualisieren Sie Ihren Beosound Shape mit dem Beoconnect Core für verbesserte Klangqualität und eine direkte digitale Verbindung zu den Verstärkern.

### Hinweis:

Bei der Installation des Beoconnect Core in einem Beosound Shape-Setup ist eine Halterung erforderlich.

Verbinden Sie ein RJ45 Cat7-Kabel von der „COMM“-Buchse am Beoconnect Core mit der „COMM In“-Buchse am primären Beosound Shape-Verstärker.

Wenn Sie den Beosound Core in einem bestehenden Beosound Shape-Setup durch den Beoconnect Core ersetzen, stellen Sie sicher, dass Sie den Beosound Shape vom Stromnetz trennen. Schließen Sie dann alle Kabel zwischen dem Beoconnect Core und dem primären Verstärker an. Schließen Sie anschließend sowohl den Verstärker als auch den Beoconnect Core an das Netz an. Stellen Sie zunächst sicher, dass Sie den Verstärker und dann den Beoconnect Core einschalten.

### Hinweis:

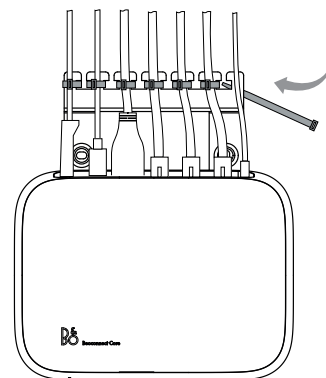
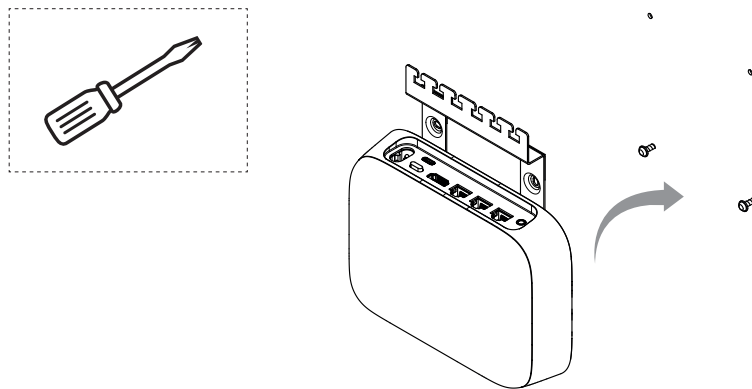
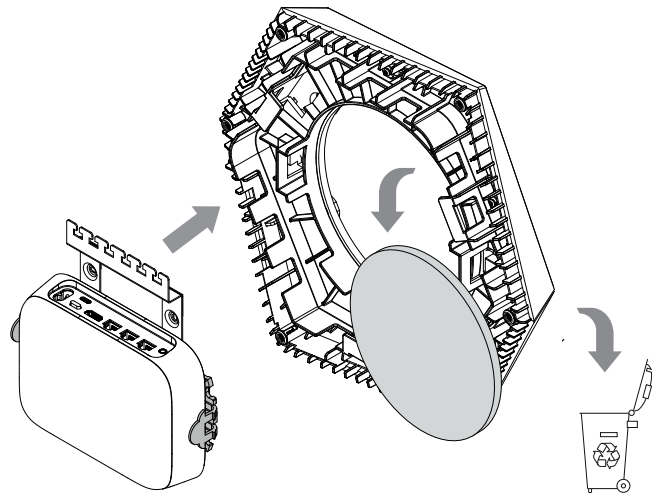
Fahren Sie nach dem Einschalten mit der Einrichtung in der Bang & Olufsen-App fort. Stellen Sie sicher, dass Sie die Design-ID Ihres einzigartigen Beosound Shape-Designs bereithalten, da Sie diese in die App eingeben müssen, um die Einrichtung abzuschließen.



WAND- UND BEOSOUND SHAPE -HALTERUNGSLÖSUNGEN

Für die Montage des Beoconnect Core in einer Beosound Shape-Kachel ist die Beoconnect Core Bracket erforderlich. Die gleiche Halterung kann für die Wandmontage Ihres Beoconnect Core verwendet werden. Weitere Anweisungen finden Sie in der Anleitung, die der Beoconnect Core Bracket beiliegt.

Die Beoconnect Core Bracket ist bei einem Bang & Olufsen-Händler und unter [www.bang-olufsen.com](http://www.bang-olufsen.com) erhältlich.





## MULTIROOM

Bringen Sie das ganze Haus zusammen. Der Beoconnect Core kann eine Verbindung zu anderen Lautsprechern in einem Multiroom-System herstellen, sodass mehrere Lautsprecher in Ihrem Zuhause dieselben Inhalte gleichzeitig abspielen können. Sie können Multiroom auf verschiedene Arten genießen:

### BeoLink Multiroom

BeoLink Multiroom ist Bang & Olufsens eigenes Multiroom-System. Er kann fast alles\*, was auf Ihrem Beoconnect Core abgespielt wird, an andere Bang & Olufsen-Lautsprecher und Fernseher im selben Netzwerk weitergeben.

Um die Wiedergabe des Beoconnect Core auf einem anderen Lautsprecher zu hören, halten Sie [Play/Pause] auf diesem Lautsprecher zwei Sekunden lang gedrückt, um dem Erlebnis beizutreten.

Um einem laufenden Erlebnis auf Beoconnect Core beizutreten, verwenden Sie die Funktion Beitreten auf der gekoppelten Bang & Olufsen-Fernbedienung, oder verwenden Sie die Bang & Olufsen-App, um zu sehen, welche Produkte abgespielt werden, und um weitere Produkte zum laufenden Erlebnis hinzuzufügen.

#### Hinweis:

Um BeoLink Multiroom und AirPlay gemeinsam zu nutzen, öffnen Sie zunächst die App von Bang & Olufsen und gehen Sie zu Produkteinstellungen -> BeoLink Multiroom -> AirPlay aktivieren.

#### Hinweis:

BeoLink Multiroom kann nicht zusammen mit Chromecast verwendet werden, da alle Multiroom-Erlebnisse mit den eigenen Funktionen von Google wie Lautsprechergruppen konfiguriert werden müssen.

### Apple AirPlay

Um mit AirPlay ein Multiroom-Erlebnis zu schaffen, wählen Sie im Tonausgabemenü Ihres Apple-Geräts mehrere Lautsprecher aus. Der Beoconnect Core kann auch zusammen mit Lautsprechern anderer Marken verwendet werden, die AirPlay unterstützen.

### Chromecast built-in

Sie können die Google Home-App auf Ihrem Smartphone verwenden, um Lautsprechergruppen zu erstellen und dann über Chromecast Inhalte an diese Lautsprecher zu übertragen.

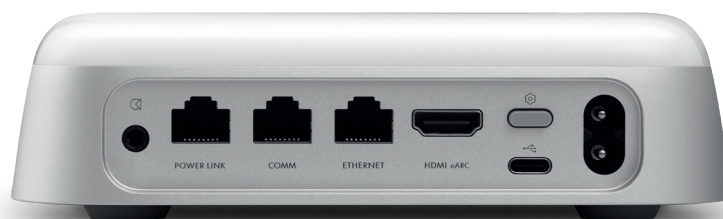
## Schön zu wissen

### WLAN-EINRICHTUNGSMODUS

Sie können Ihren Beoconnect Core mit einem neuen drahtlosen Netzwerk verbinden oder die Verbindung zurücksetzen, indem Sie die Setup-Taste auf der Rückseite des Beoconnect Core 2 Sekunden lang gedrückt halten. Sie hören eine akustische Aufforderung und die Statusanzeige leuchtet gelb.

Wählen Sie in den Produkteinstellungen der Bang & Olufsen App „Neu einrichten“, um den Lautsprecher mit dem WLAN zu verbinden.

Um die WLAN-Einrichtung abzubrechen und sich wieder mit dem vorherigen Netzwerk zu verbinden, halten Sie die Taste erneut gedrückt.



### WERKSEINSTELLUNGEN

Sie können die Werkseinstellungen wiederherstellen, indem Sie die Setup-Taste auf der Rückseite Ihres Beoconnect Core 8 Sekunden lang gedrückt halten.

Ihr Beoconnect Core beginnt mit dem Reset-Vorgang und nach etwa einer Minute ist Ihr Beoconnect Core wieder für die Ersteinrichtung bereit.

### TÄGLICHER GEBRAUCH

Verwenden Sie Ihr Mobilgerät, um Beoconnect Core über die Bang & Olufsen-App zu steuern, oder schließen Sie eine Bang & Olufsen-Fernbedienung für Ihre bevorzugten Inhaltsquellen oder Dienste an.

#### Bluetooth

Um ein neues Gerät zu koppeln, drücken Sie kurz die Setup-Taste. Wenn das Licht blau zu pulsieren beginnt, gehen Sie zu den Bluetooth-Einstellungen auf Ihrem Gerät und wählen Sie Ihren Beoconnect Core aus. Sobald die Verbindung hergestellt ist, können Sie spielen.

Wenn Ihr Gerät bereits gekoppelt wurde, können Sie es über die Bluetooth-Einstellungen auf Ihrem Gerät erneut verbinden, ohne die Kopplung erneut durchzuführen.





LEUCHTANZEIGE

Die Leuchtanzeige befindet sich an der Vorderseite des Beoconnect Core und zeigt den Status des Produkts an:

ANZEIGE

STATUS

**White**

Durchgehend  
Blinkend  
Pulsiert langsam

Mit Netzwerk verbunden, betriebsbereit  
Starten  
Wiedergabe wurde unterbrochen

**Blau**

Durchgehend (5 Sekunden)  
Pulsierend

\*Verbunden/Bluetooth gekoppelt  
Offen für Bluetooth-Kopplung

**Rot**

Durchgehend  
Blinkend

Statischer Fehler\*  
Vorübergehender Fehler, z. B. Überhitzung

**Gelb**

Durchgehend  
Blinkend  
Pulsierend

Keine Netzwerkverbindung, Verbindung unterbrochen  
Bereit für die Netzwerkeinrichtung  
Verbindung zum Netzwerk wird hergestellt

**Grün**

Pulsierend

Software-Update läuft – warten Sie, bis das Licht wieder weiß leuchtet

\*Bitte wenden Sie sich an den Kundendienst, um Unterstützung zu erhalten. Dies ist auch über den Support-Bereich in der Bang & Olufsen-App möglich.

## Aan de slag

### INLEIDING

Uw Beoconnect Core is niet alleen een streamingbox, maar maakt ook uw andere Bang & Olufsen-producten weer helemaal actueel.

In deze handleiding vindt u informatie over het dagelijkse gebruik van uw Beoconnect Core en gekoppelde producten. De handleiding bevat bovendien gedetailleerde beschrijvingen van de eigenschappen en functies.

Voor al uw servicevragen kunt u terecht bij uw Bang & Olufsen-verkoper. U vindt uw dichtstbijzijnde verkoper hier:

[stores.bang-olufsen.com/en/search](https://stores.bang-olufsen.com/en/search)



### DOWNLOAD DE BANG & OLUFSEN-APP

Om uw Beoconnect Core te configureren, downloadt u de Bang & Olufsen-app in de app store voor uw apparaat.

Met de app kunt u uw product configureren, zodat u de kunt genieten van de volledige Bang & Olufsen-ervaring. Ontgrendel de volledige productervaring van audiopersonalisatie, productondersteuning, netwerkverbinding, automatische software-updates en nieuwe functies in de palm van uw hand.

Opmerking:

- Als de app uw product niet kan detecteren, controleer dan of Bluetooth en wifi zijn ingeschakeld op uw apparaat.
- Zorg er ook voor dat de Bang & Olufsen-app toestemming heeft om naar apparaten in het lokale netwerk te zoeken.
- Ga naar 'Instellingen', selecteer de app 'Bang & Olufsen' en schakel 'Bluetooth' en 'Lokaal netwerk' in, of geef uw apparaat toestemming om toegang te krijgen tot apparaten in de buurt, afhankelijk van het besturingssysteem.



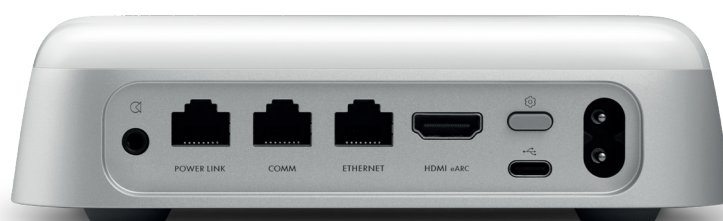


## AANDACHTSPUNTEN BIJ HET INSTELLEN

Voordat u kabels of apparaten aansluit op uw Beoconnect Core, moet u ervoor zorgen dat alles is uitgeschakeld en losgekoppeld van de netstroom. Voordat u kabels of apparaten aansluit op uw Beoconnect Core, moet u ervoor zorgen dat alles is uitgeschakeld en losgekoppeld van de netstroom.

Gebruik de Bang & Olufsen-app om uw Beoconnect Core met internet te verbinden. Zodra de Beoconnect Core is verbonden, zoekt deze naar beschikbare software-updates.

Automatische software-updates kunnen worden geconfigureerd in de Bang & Olufsen-app. Let op: de enige meegeleverde kabel is een voedingskabel voor uw land.



## BRONNEN

Met de Beoconnect Core kunt u uw favoriete muziek streamen van de volgende bronnen:

### Bang & Olufsen-radio

Gebruik de Bang & Olufsen-app om zenders te selecteren en favorieten in te stellen.

### Beolink, AirPlay en Chromecast

Streamen vanaf apparaat en multiroom-functionaliteit.

### Spotify, Tidal en Deezer Connect

Streamen via de cloud en opties om favorieten in te stellen.

### Bluetooth 5.3

Voor het streamen van audio en het verbinden van een Beoremove One BT of Beoremove Halo.

### Wifi

IEEE802.11 b/a/g/n/ac/ax

### Lijn/optische ingang

3,5 mm combo-ingang voor analoge of digitale verbinding met muzikspelers.

### PowerLink

Voor aansluiting op de meeste Beolab-luidsprekers.

### COMM

Voor aansluiting op een Beosound Shape.

### Ethernet

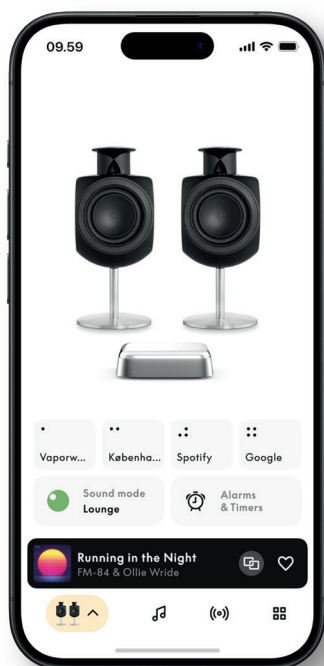
Aansluiting op uw thuisnetwerk via een kabel.

### HDMI eARC

Externe tv's met ARC/eARC

### USB-C

Voor digitale audioverbinding met de Beolab 50/90 of om audio van een computer te verbinden.



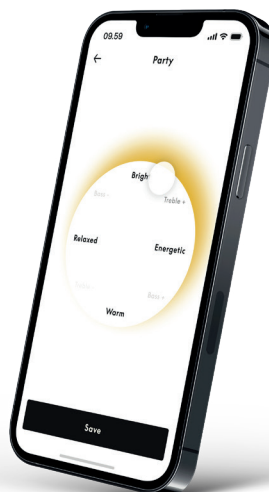
## PERSONALISEER UW GELUID IN DE BANG & OLUFSEN APP

Pas het geluid aan en maak optimaal gebruik van uw luidsprekers en Beoconnect Core met behulp van de Bang & Olufsen-app. Met Geluidsmodi kunt u het geluid naar wens samenstellen.

De Beoconnect Core biedt standaard de Optimale geluidsmodus. U kunt echter ook aangepaste geluidsmodi opslaan voor later vanuit Beosonic en ze activeren in de lijst. Om een opgeslagen geluidsmodus te verwijderen, tikt u erop en veegt u naar links om de verwijderknop weer te geven. Om een opgeslagen geluidsmodus te bewerken, houdt u de geluidsmodus ingedrukt die u wilt bewerken.

### Beosonic

Met geavanceerde digitale geluidsalgoritmen die door ons akoestische team zijn ontwikkeld, kunt u verschillende audioruimtes verkennen door de cirkel heen en weer te bewegen.



### Beosound Shape-modi

Met BeoSound Shape kunt u kiezen uit drie verschillende manieren om te luisteren. Alle drie de geluidsmodi remixen het linker- en rechterkanaal naar het aantal luidsprekers in de daadwerkelijke opstelling:

- **Band on the Wall:** Als u de geluidsmodus 'Band on the Wall' gebruikt, blijft de locatie van de leadzang op dezelfde positie en worden de resterende delen van de mix verdeeld, ongeacht de positie van de luisteraar.
- **Social:** Als u de geluidsmodus 'Following sound stage' gebruikt, blijft de locatie van de leadzang vóór de luisteraar en worden de resterende delen van de mix verdeeld, ongeacht de positie van de luisteraar.
- **Stereo:** Als u de geluidsmodus 'Stereo' gebruikt, wordt de locatie van de leadzang via de dichtstbijzijnde buitenste luidspreker weergegeven, zoals in de traditionele stereo-opstelling. In tegenstelling tot de traditionele stereo-opstelling zullen de overige luidsprekers het geluidsveld tussen de luidsprekers versterken. Deze geluidsmodus is bedoeld voor gebruik wanneer de Beosound Shape deel uitmaakt van een meerkanaals surroundsysteem, bijvoorbeeld als achterste luidspreker.

## FAVORIETEN

De Beoconnect Core ondersteunt Favorieten via de Bang & Olufsen-app of een gekoppelde afstandsbediening met favorietenknoppen (MyButtons).

Ga op de productpagina in de Bang & Olufsen-app naar 'Radio' en vervolgens naar 'Zoeken' om een zender te kiezen. Tik op het pictogram 'Meer' om deze aan een voorkeursknop toe te wijzen.

De knoppen zijn voorgeprogrammeerd met de populairste radiozenders in uw regio en kunnen eenvoudig worden aangepast aan uw voorkeuren: schakel naar andere zenders met Bang & Olufsen Radio of open afspeellijsten via Spotify Connect, Deezer Connect of Tidal Connect.

Om een favoriet op te slaan, begint u met het afspelen van een radiozender of een afspeellijst op uw Beoconnect Core. Houd vervolgens op de afstandsbediening twee seconden lang de favorietenknop ingedrukt waaraan u de favoriet wilt toewijzen. Een bevestigingsgeluid geeft aan dat uw selectie is opgeslagen. Houd in de Bang & Olufsen-app de favorietenknop ingedrukt om de momenteel afgespeelde radiozender of afspeellijst op te slaan. Zodra uw favoriet is opgeslagen, kunt u de zender of afspeellijst eenvoudig openen met een korte druk op de knop.



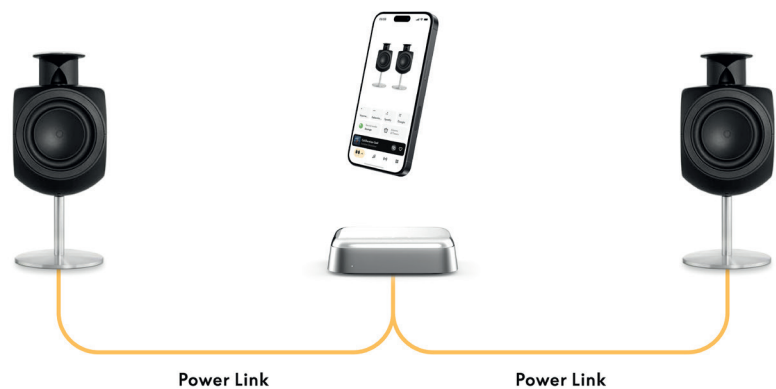
AANSLUITEN OP BEOLAB-LUIDSPREKERS VIA POWERLINK

Met een Power Link-stereo-aansluiting kunt u uw Beolab-luidsprekers veranderen in moderne streamingluidsprekers. De Beoconnect Core heeft één Power Link-uitgang (RJ45) waarop u twee Beolab-luidsprekers met een Power Link-ingang kunt aansluiten. Er zijn twee manieren om de luidsprekers aan te sluiten via Power Link:

- In serie: Als uw luidsprekers twee Power Link-aansluitingen hebben, kunt u de Beoconnect Core aansluiten op de eerste luidspreker en vervolgens de eerste luidspreker aansluiten op de tweede luidspreker.
- Splitter: Sluit een Power Link-splitterkabel aan op de Beoconnect Core en sluit vervolgens beide luidsprekers aan op de splitter.

Nadat u uw luidsprekers via Power Link hebt aangesloten, sluit u alle apparaten aan op netstroom en gaat u verder met de configuratie in de Bang & Olufsen-app. Nadat u uw Beoconnect Core hebt verbonden met uw netwerk, moet u uw aangesloten luidsprekers configureren en ervoor zorgen dat de linker- en rechterrol correct zijn ingesteld.

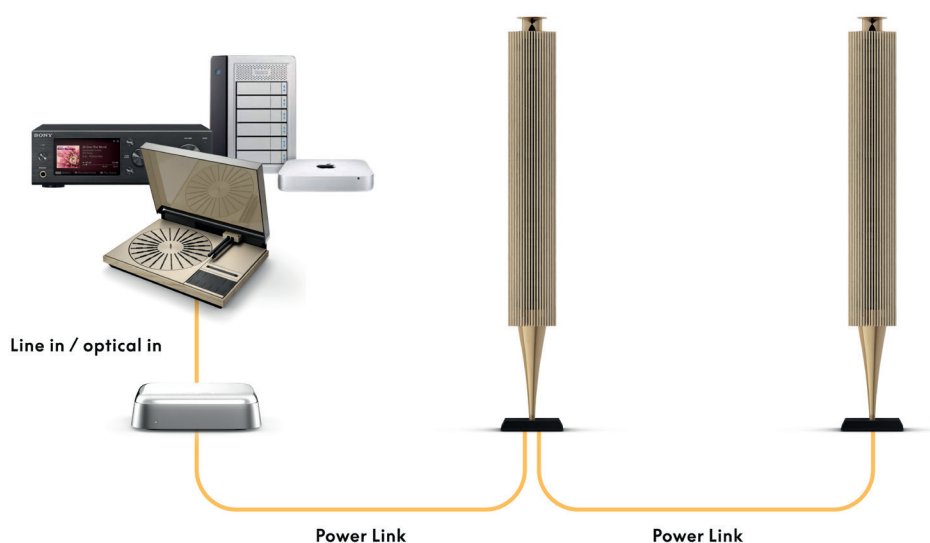
Neem contact op met uw Bang & Olufsen-verkoper voor de juiste set kabels voor uw luidsprekers en de gewenste opstelling.



AANSLUITEN OP EXTERNE AUDIOBRONNEN

De bovenstaande illustratie laat zien hoe u Beolab-luidsprekers aan een muziekbron kunt toevoegen. U kunt de 3,5 mm-aansluiting van de Beoconnect Core gebruiken om verbinding te maken met elke analoge of digitale (optische) audiobron, zodat deze via de aangesloten luidsprekers wordt afgespeeld. Neem contact op met uw Bang & Olufsen-verkoper voor de juiste set kabels om uw apparaat aan te sluiten.

Opmerking: voor het aansluiten van een platenspeler is een RIAA-voorversterker vereist, ingebouwd in de platenspeler of extern tussen de platenspeler en uw Beoconnect Core.



AANSLUITEN OP EEN EXTERNE TELEVISIE

De Beoconnect Core kan worden aangesloten op de meeste tv's die niet van Bang & Olufsen zijn, zodat het geluid van uw favoriete programma's via de aangesloten luidsprekers kan worden afgespeeld.

Koppel de Beoconnect Core simpelweg aan uw televisie via een HDMI-kabel, waarbij u het ene uiteinde aansluit op de HDMI eARC-poort op de Beoconnect Core en het andere op de HDMI eARC-poort van uw TV. Bekijk de gelabelde poorten op uw tv om de juiste poort te vinden.

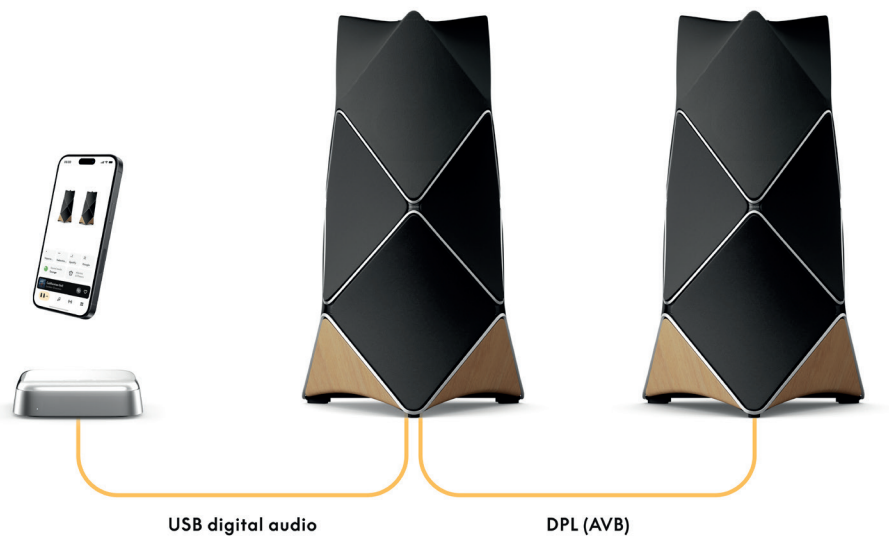
Zodra de aansluiting is gemaakt, wordt de Beoconnect Core gesynchroniseerd met uw tv: als u de tv uitschakelt of in de stand-by-modus zet, doet de Beoconnect Core hetzelfde. U kunt het volume regelen met de afstandsbediening van uw tv.

Opmerking: mogelijk moet u uw tv configureren om alleen stereogeluid (PCM) uit te zenden. De Beoconnect Core kan geen surroundsound-indelingen decoderen, zoals Dolby Atmos, die de standaardinstelling op sommige televisies zijn.



AANSLUITEN OP BEOLAB 50 OF 90

U kunt de BeoLab 50- en 90-luidsprekers aansluiten op de USB-C-poort om een volledig digitale signaalketen van de bron naar de luidspreker te creëren. Gebruik een USB-C-naar-USB-B-2.0-kabel tussen de Beoconnect Core en de primaire luidspreker. Sluit de primaire en secundaire luidsprekers op elkaar aan via de DPL-aansluitingen (RJ45). Nadat u de luidsprekers via USB hebt aangesloten, sluit u alle apparaten aan op netstroom en gaat u verder met de configuratie in de Bang & Olufsen-app. Nadat u de Beoconnect Core hebt verbonden met uw netwerk, ziet u een optie om Beolab 50 of 90 in te schakelen in het bedieningsscherm.



#### AANSLUITEN OP BEOSOUND SHAPE

Update uw Beosound Shape met de Beoconnect Core voor een betere geluidskwaliteit en een directe digitale aansluiting op de versterkers.

**Opmerking:**

Voor de installatie van de Beoconnect Core in een Beosound Shape-opstelling is een beugel nodig.

Sluit een RJ45 Cat7-kabel aan op de 'COMM'-aansluiting op de BeoConnect Core en op de 'COMM In'-aansluiting van de primaire Beosound Shape-versterker.

Vervangt u de Beosound Core in een bestaande Beosound Shape-opstelling door de Beoconnect Core, zorg er dan voor dat u de Beosound Shape loskoppelt van de netstroom. Sluit vervolgens alle kabels tussen de Beoconnect Core en de primaire versterker aan. Sluit daarna zowel de versterker als de Beoconnect Core aan op de netstroom. Schakel eerst de versterker in en daarna de Beoconnect Core.

**Opmerking:**

Daarna gaat u verder met de configuratie in de Bang & Olufsen-app. Zorg ervoor dat u de ontwerp-ID van uw unieke Beosound Shape-ontwerp bij de hand hebt, want u moet deze in de app invoeren om de configuratie te voltooien.

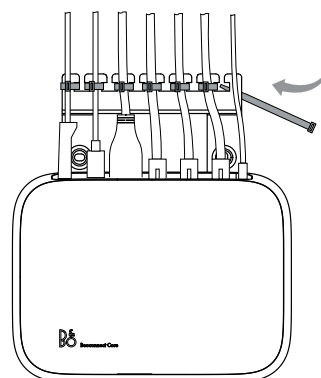
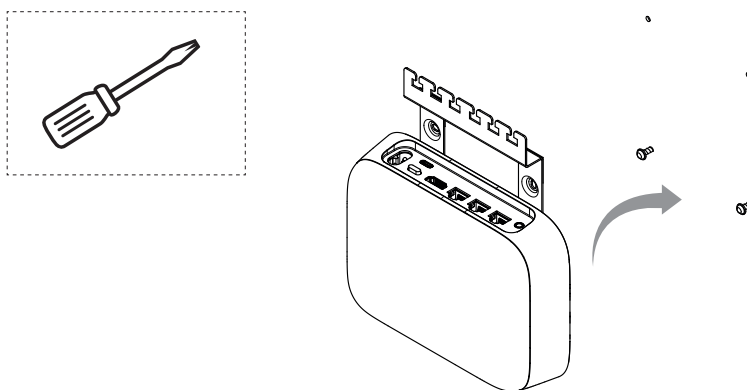
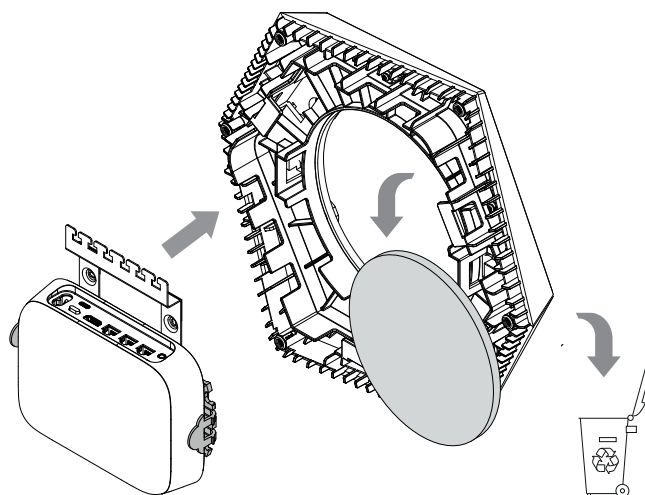




WAND- EN BEOSOUND SHAPE BRACKET OPLOSSINGEN

Voor de montage van de Beoconnect Core in een Beosound Shape-tegel is de Beoconnect Core Bracket vereist. Dezelfde beugel kan worden gebruikt voor wandmontage van uw Beoconnect Core. Zie de handleiding die bij de Beoconnect Core Bracket is geleverd voor verdere instructies.

De Beoconnect Core Bracket is verkrijgbaar bij uw Bang & Olufsen-verkoper en via [www.bang-olufsen.com](http://www.bang-olufsen.com).





## MULTIROOM

Maak één van uw huis. De Beoconnect Core kan verbinding maken met andere luidsprekers via een multiroomsysteem en zo meerdere luidsprekers in uw huis tegelijkertijd dezelfde content laten afspelen. U kunt op verschillende manieren gebruikmaken van multiroom:

### BeoLink Multiroom

BeoLink Multiroom is het eigen multiroomsysteem van Bang & Olufsen. Het systeem kan bijna alles\* dat op uw Beoconnect Core wordt afgespeeld, distribueren naar andere Bang & Olufsen-luidsprekers en televisies in hetzelfde netwerk.

Om de content die wordt afgespeeld op uw Beoconnect Core op een andere luidspreker te beluisteren, houdt u gedurende twee seconden [play/pauze] op die luidspreker ingedrukt om deel te nemen aan de ervaring.

Om deel te nemen aan een doorlopende ervaring op de Beoconnect Core, gebruikt u de functie 'Join' op de gekoppelde Bang & Olufsen-afstandsbediening, of gebruikt u de Bang & Olufsen-app om te zien welke producten content afspelen en meer producten toe te voegen aan de doorlopende ervaring.

#### Opmerking:

Om BeoLink Multiroom en AirPlay samen te gebruiken, opent u eerst de Bang & Olufsen-app en gaat u naar Productinstellingen -> BeoLink Multiroom -> AirPlay inschakelen.

#### Opmerking:

BeoLink Multiroom kan niet worden gebruikt in combinatie met een ingebouwde Chromecast, omdat alle multiroomervaringen moeten worden geconfigureerd met de eigen functies van Google, zoals luidsprekergroepen.

### Apple AirPlay

Om een multiroomervaring te creëren met AirPlay, selecteert u meerdere luidsprekers in het menu voor geluidsuitvoer op uw Apple-apparaat. De BeoSound Connect Core kan ook worden gecombineerd met luidsprekers van andere merken die AirPlay ondersteunen.

### Chromecast built-in

U kunt de Google Home-app op uw smartphone gebruiken om luidsprekergroepen te maken en vervolgens content naar deze luidsprekers sturen via Chromecast.

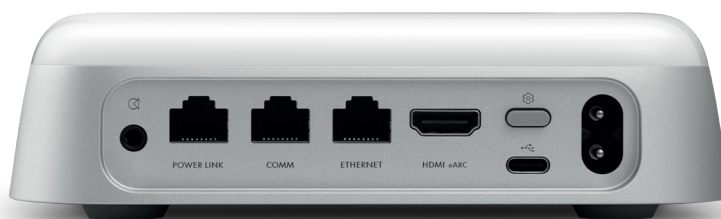
## Nice to know

### WI-FI VERBINDINGSMODUS

U kunt uw Beoconnect Core verbinden met een nieuw draadloos netwerk of de verbinding resetten door de knop Setup op de achterkant van de Beoconnect Core 2 seconden ingedrukt te houden. U hoort een geluidssignaal en het statuslampje begint oranje te knipperen.

Selecteer Opnieuw instellen in de productinstellingen van de Bang & Olufsen-app om de luidspreker met wifi te verbinden.

Om de wifiverbinding te annuleren en weer verbinding te maken met het vorige netwerk, houdt u de knop opnieuw ingedrukt.



### FABRIEKSRESET

U kunt de fabrieksinstellingen herstellen door de knop Setup aan de achterkant van uw Beoconnect Core gedurende 8 seconden ingedrukt te houden.

Uw Beoconnect Core begint met het resetproces en na ongeveer een minuut is uw Beoconnect Core weer klaar voor de eerste configuratie.

### DAGELIJKS GEBRUIK

Gebruik uw mobiele apparaat om uw Beoconnect Core te bedienen via de Bang & Olufsen-app of verbind een Bang & Olufsen-afstandsbediening voor de gewenste bronnen of diensten.

#### Bluetooth

Druk kort op de knop Setup om een nieuw apparaat te koppelen. Wanneer het lampje blauw begint te knipperen, gaat u naar de Bluetooth-instellingen op uw apparaat en selecteert u uw Beoconnect Core. Zodra de verbinding tot stand is gebracht, kunt u content afspelen.

Als uw apparaat al is gekoppeld, kunt u het opnieuw verbinden via de Bluetooth-instellingen op uw apparaat zonder opnieuw te hoeven koppelen.





LAMPJE

Het lampje bevindt zich aan de voorkant van de Beoconnect Core en geeft de status van het product weer:

INDICATOR

STATUS

**White**

Brandt  
Knippert  
Pulseert langzaam

Verbonden met het netwerk, klaar voor gebruik  
Opstarten  
Afspelen gepauzeerd

**Blauw**

Brandt (5 sec)  
Knippert

\*Verbonden/Bluetooth gekoppeld  
Open voor Bluetooth-koppeling

**Rood**

Brandt

Statische fout\*Knippert Tijdelijke fout, bijv oververhitting

**Oranje**

Brandt  
Knippert  
Pulseert

Geen netwerkverbinding, verbinding verbroken  
Klaar voor netwerkconfiguratie.  
Maakt verbinding met het netwerk

**Green**

Pulseert

Software-update bezig - wacht tot het lampje weer onafgebroken wit brandt

\*Neem contact op met de klantenservice voor hulp.  
Dit is ook mogelijk via het gedeelte Ondersteuning in de Bang & Olufsen-app.



## Premiers pas

### INTRODUCTION

Votre Beoconnect Core est bien plus qu'un boîtier de streaming : il transporte vos produits Bang & Olufsen dans le futur.

Outre des informations sur l'utilisation quotidienne de votre Beoconnect Core et des produits connectés, vous trouverez dans ce guide des descriptions détaillées des fonctionnalités.

Votre magasin Bang & Olufsen est l'endroit idéal pour toutes vos demandes de service. Pour trouver votre revendeur le plus proche, suivez le lien ci-dessous :

[stores.bang-olufsen.com/en/search](https://stores.bang-olufsen.com/en/search)



### TÉLÉCHARGER L'APPLICATION BANG & OLUFSEN

Pour configurer votre Beoconnect Core, téléchargez l'application Bang & Olufsen sur votre App Store.

Dans l'application, vous pouvez configurer votre produit et accéder à l'intégralité de l'expérience Bang & Olufsen. Profitez de l'expérience produit complète : personnalisation audio, assistance produit, connexion réseau, mises à jour logicielles automatiques et nouvelles fonctionnalités à portée de main.

Remarque :

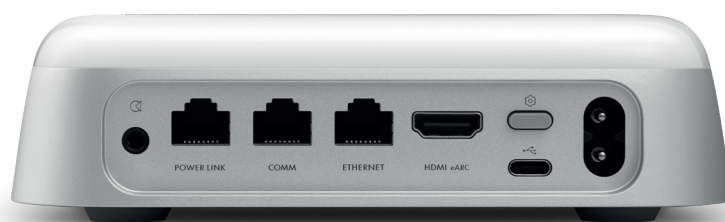
- Si l'application ne parvient pas à détecter votre produit, vérifiez que le Bluetooth et le Wi-Fi sont activés sur votre appareil.
- Assurez-vous également d'autoriser l'application Bang & Olufsen à rechercher des appareils sur le réseau local.
- Accédez à « Réglages », sélectionnez l'application « Bang & Olufsen » et activez « Bluetooth » et
- « Réseau local » ou définissez les autorisations pour permettre à votre appareil d'accéder aux appareils à proximité, selon le système d'exploitation.

À NE PAS OUBLIER LORS DE LA CONFIGURATION

Avant de connecter des câbles ou des appareils au Beoconnect Core, assurez-vous que tout est hors tension et débranché du secteur. Avant de connecter des câbles ou des appareils au Beoconnect Core, assurez-vous que tout est hors tension et débranché du secteur.

Utilisez l'application Bang & Olufsen pour connecter votre Beoconnect Core à Internet. Une fois le Beoconnect Core connecté, il recherche les mises à jour logicielles disponibles.

Les mises à jour logicielles automatiques peuvent être configurées dans l'application Bang & Olufsen. Remarque : le seul câble inclus est un câble d'alimentation localisé.



SOURCES

Avec le Beoconnect Core, vous pouvez diffuser votre musique préférée en utilisant les sources suivantes :

**Radio Bang & Olufsen**

Utilisez l'application Bang & Olufsen pour sélectionner des stations et définir vos favoris.

**Beolink, AirPlay et Chromecast**

Streaming à partir de l'appareil et capacités multiroom.

**Spotify, Tidal et Deezer Connect**

Streaming via le cloud et options pour définir vos favoris.

**Bluetooth 5.3**

Pour la diffusion audio et la connexion d'une Beoremote One BT ou d'une Beoremote Halo.

**Wi-Fi**

IEEE802.11 b/a/g/n/ac/ax

**Ligne/Entrée optique**

Prise jack combinée de 3,5 mm pour une connexion analogique ou numérique à des lecteurs de musique.

**Power Link**

Pour la connexion à la plupart des enceintes Beolab.

**COM1**

Pour la connexion à un Beosound Shape.

**Ethernet**

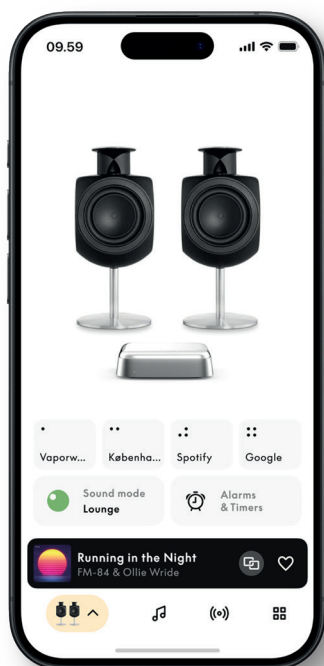
Connexion câblée à votre réseau domestique.

**HDMI eARC**

Téléviseurs tiers avec ARC/eARC

**USB-C**

Pour la connexion audio numérique à la Beolab 50/90 ou pour connecter l'audio à partir d'un ordinateur.



## PERSONNALISEZ VOTRE SON DANS L'APPLICATION BANG & OLUFSEN

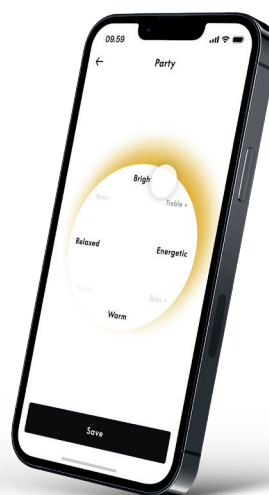
Réglez le son et profitez au maximum de vos enceintes et de votre Beoconnect Core en utilisant l'application Bang & Olufsen. Avec les modes sonores, vous pouvez configurer le son à votre guise.

Sur le Beoconnect Core, le mode sonore Optimal est activé par défaut. Des modes sonores personnalisés peuvent être définis ultérieurement sur le Beosonic et activés à partir de la liste.

Pour supprimer un mode sonore enregistré, appuyez dessus et faites glisser vers la gauche pour afficher le bouton Supprimer. Pour modifier un mode sonore enregistré, appuyez longuement sur le mode sonore souhaité.

### Beosonic

Des algorithmes numériques audio avancés conçus par notre équipe d'ingénierie acoustique vous permettent d'explorer différents espaces sonores en déplaçant simplement le cercle.



### Modes Beosound Shape

Avec Beosound Shape, vous pouvez choisir entre trois façons différentes d'écouter. Les trois modes sonores remixent les canaux gauche et droit pour adapter le signal au nombre d'enceintes de la configuration existante :

- **Band on the Wall** : lorsque vous utilisez le mode sonore « Band on the Wall », l'emplacement de la voix principale reste le même, et les parties restantes du mixage sont distribuées sans tenir compte de la position de l'auditeur.
- **Social** : lors de l'utilisation du mode sonore « Espace acoustique dynamique », l'emplacement de la voix principale reste devant l'auditeur, et les parties restantes du mixage sont réparties sans tenir compte de la position de l'auditeur.
- **Stéréo** : lorsque vous utilisez le mode sonore « Stéréo », la voix principale apparaît sur l'enceinte extérieure la plus proche, comme dans une configuration stéréo traditionnelle. Contrairement à la configuration stéréo traditionnelle, les autres enceintes améliorent l'espace acoustique entre les enceintes. Ce mode sonore est destiné à être utilisé lorsque le Beosound Shape fait partie d'une configuration surround multicanal, c'est-à-dire en tant qu'enceinte arrière.

## FAVORIS

Le Beoconnect Core prend en charge les favoris sur l'application Bang & Olufsen ou une télécommande couplée dotée de boutons favoris (MyButtons).

Sur la page de votre produit dans l'application Bang & Olufsen, accédez à la section Radio, puis utilisez la fonction Recherche pour sélectionner une station. Appuyez sur l'icône Plus pour l'attribuer à un favori.

Les boutons sont préprogrammés avec les stations de radio les plus populaires de votre région et peuvent être facilement personnalisés selon vos préférences : passez à d'autres stations à l'aide de Bang & Olufsen Radio ou accédez à des listes de lecture avec Spotify Connect, Deezer Connect ou Tidal Connect.

Pour enregistrer un favori, commencez à écouter la radio ou une liste de lecture sur votre Beoconnect Core. Sur la télécommande, appuyez ensuite longuement (pendant deux secondes) sur le bouton Favori auquel vous souhaitez attribuer le favori. Un son de confirmation indiquera que votre sélection a été enregistrée. Dans l'application Bang & Olufsen, appuyez sur le bouton Favoris et maintenez-le enfoncé pour enregistrer la radio ou la liste de lecture en cours de lecture sur ce bouton. Une fois l'opération terminée, vous pouvez facilement accéder à votre favori en appuyant brièvement sur le bouton.





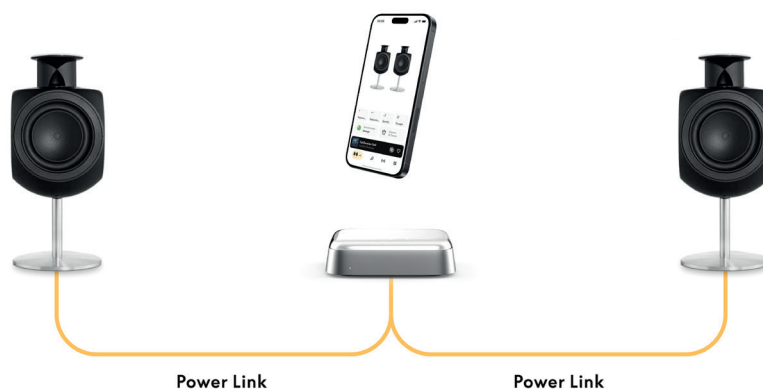
## CONNECTER LES ENCEINTES BEOLAB AVEC POWERLINK

En utilisant la connexion Power Link stéréo, vous pouvez transformer vos enceintes Beolab en enceintes de streaming dernier cri. Le Beoconnect Core dispose d'une prise de sortie Power Link (RJ45), qui permet de connecter deux enceintes Beolab avec une entrée Power Link. Il existe deux façons de se connecter avec Power Link

- Branchement en série : si vos enceintes disposent de deux prises Power Link, vous pouvez vous connecter du Beoconnect Core à la première enceinte, puis de la première à la seconde.
- Répartiteur : branchez un câble répartiteur Power Link au Beoconnect Core, puis connectez les deux enceintes au répartiteur.

Après avoir connecté vos enceintes avec Power Link, raccordez tous les appareils au secteur et poursuivez la configuration dans l'application Bang & Olufsen. Une fois que vous avez connecté votre Beoconnect Core à votre réseau, vous devez configurer vos enceintes connectées et vous assurer que les rôles gauche et droit sont correctement définis.

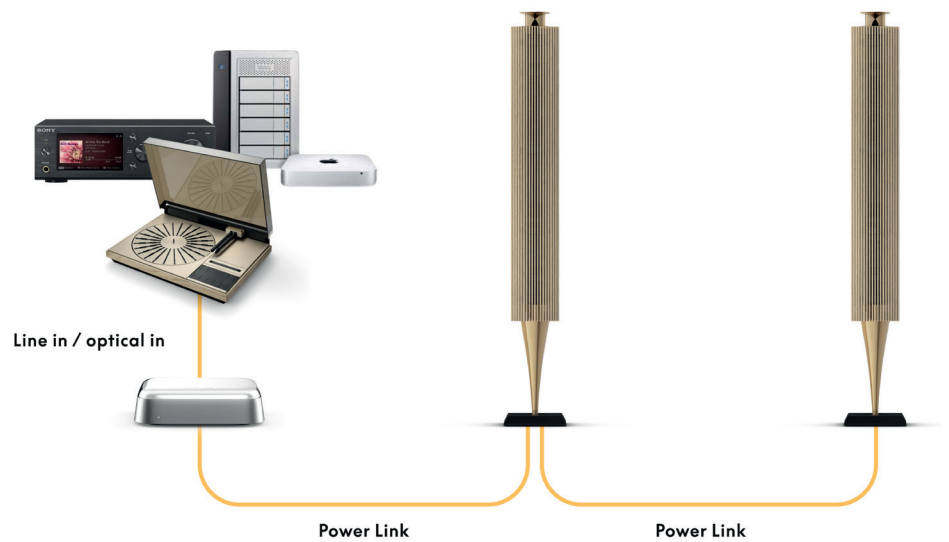
Contactez votre revendeur Bang & Olufsen pour obtenir l'ensemble de câbles approprié pour vos enceintes et votre configuration préférée.



CONNEXION À DES SOURCES AUDIO EXTERNES

L'illustration ci-dessus montre comment ajouter des enceintes Beolab à une source musicale. La prise jack 3,5 mm sur le Beoconnect Core peut être utilisée pour connecter n'importe quelle source audio analogique ou numérique (optique) de niveau ligne afin qu'elle puisse être lue par les enceintes connectées. Contactez votre revendeur Bang & Olufsen pour obtenir l'ensemble de câbles approprié pour connecter votre appareil.

Remarque : si vous souhaitez connecter une platine, un préamplificateur RIAA est requis (soit intégré à la platine, soit entre elle et votre Beoconnect Core).



### CONNEXION D'UN TÉLÉVISEUR TIERS

Le Beoconnect Core peut se connecter à la plupart des téléviseurs d'une autre marque que Bang & Olufsen, ce qui permet au son de vos émissions préférées d'être diffusé sur vos enceintes connectées.

Il vous suffit de relier le Beoconnect Core à votre téléviseur à l'aide d'un câble HDMI (branchez pour cela une extrémité sur le port HDMI eARC du Beoconnect Core et l'autre sur le port HDMI eARC/ARC de votre téléviseur). Recherchez le nom des ports sur votre téléviseur pour trouver le bon.

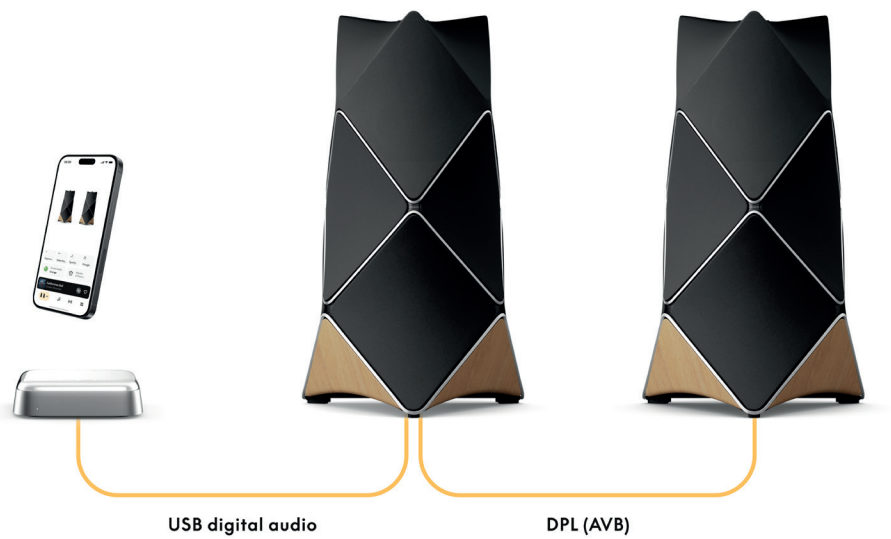
Une fois connecté, le Beoconnect Core se synchronise avec votre téléviseur (il s'allume et entre en mode veille). Vous pouvez régler le volume à l'aide de la télécommande de votre téléviseur.

Remarque : vous devrez peut-être configurer votre téléviseur pour n'envoyer que du son en stéréo (PCM). Le Beoconnect Core ne peut pas décoder les formats de son surround (comme Dolby Atmos), qui sont la valeur par défaut sur certains téléviseurs.



CONNEXION DE LA BEOLAB 50 OU 90

Les enceintes Beolab 50 et 90 peuvent être connectées au port USB-C pour créer une chaîne de signal entièrement numérique depuis la source jusqu'à l'enceinte. Utilisez un câble USB-C vers USB-B 2.0 entre le Beoconnect Core et l'enceinte principale. Connectez les enceintes primaire et secondaire à l'aide des prises DPL (RJ45). Après avoir branché les enceintes par USB, raccordez tous les appareils au secteur et poursuivez la configuration dans l'application Bang & Olufsen. Après avoir connecté le Beoconnect Core à votre réseau, vous verrez une option permettant d'activer la Beolab 50 ou 90 sur l'écran de contrôle.



## CONNEXION À BEOSOUND SHAPE

Mettez à jour votre Beosound Shape avec le Beoconnect Core pour une qualité sonore améliorée et une connexion numérique directe aux amplificateurs.

**Remarque :**

Un support est nécessaire lors de l'installation du Beoconnect Core dans une configuration Beosound Shape.

Branchez un câble RJ45 Cat7 sur la prise « COMM » du Beoconnect Core et sur la prise « COMM In » de l'amplificateur Beosound Shape principal.

Lorsque vous remplacez le Beosound Core par le Beoconnect Core dans une configuration Beosound Shape existante, assurez-vous de débrancher le Beosound Shape du secteur. Connectez ensuite tous les câbles entre le Beoconnect Core et l'amplificateur principal. Ensuite, raccordez l'amplificateur et le Beoconnect Core au secteur. Mettez l'amplificateur sous tension, puis le Beoconnect Core.

**Remarque :**

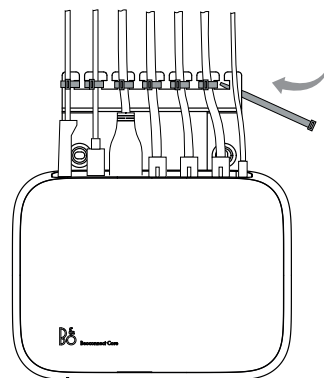
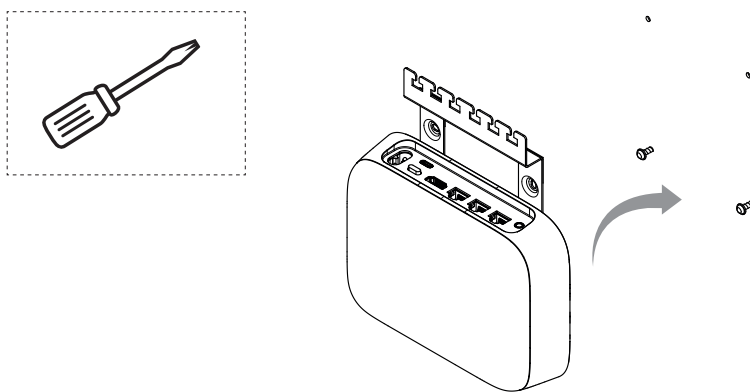
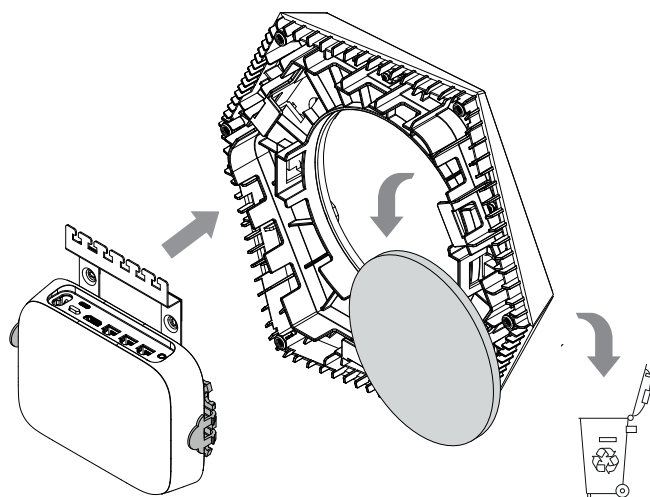
Une fois les appareils sous tension, continuez la configuration dans l'application Bang & Olufsen. Assurez-vous d'avoir l'ID de votre design Beosound Shape unique, car vous devez le saisir dans l'application pour finaliser la configuration.



SOLUTIONS DE SUPPORT MURAL POUR LE BEOSOUND SHAPE

Pour monter le Beoconnect Core dans une mosaïque Beosound Shape, le support Beoconnect Core est requis. Le même support peut être utilisé pour le montage mural de votre Beoconnect Core. Pour des instructions plus détaillées, consultez le guide fourni avec le support Beoconnect Core.

Le support Beoconnect Core est disponible à l'achat auprès d'un revendeur Bang & Olufsen et en ligne à l'adresse [www.bang-olufsen.com](http://www.bang-olufsen.com).





## MULTIROOM

Harmonisez l'ensemble de votre espace. Le Beoconnect Core peut se connecter à d'autres enceintes dans un système multiroom de façon à ce que plusieurs enceintes lisent le même contenu en même temps. Vous pouvez profiter du multiroom de plusieurs manières :

### BeoLink Multiroom

BeoLink Multiroom est le système multiroom de Bang & Olufsen. Il peut diffuser tout ce que vous écoutez sur votre Beoconnect Core sur d'autres enceintes et téléviseurs Bang & Olufsen qui appartiennent au même réseau.

Pour écouter ce que lit le Beoconnect Core sur une autre enceinte, appuyez longuement sur [play/pause] sur cette enceinte (pendant deux secondes) et rejoignez l'expérience.

Pour rejoindre une expérience en cours sur le Beoconnect Core, utilisez la fonction Rejoindre de la télécommande Bang & Olufsen couplée. Vous pouvez également utiliser l'application Bang & Olufsen pour voir quels produits sont en cours de lecture et en ajouter davantage à l'expérience en cours.

#### Remarque :

Pour utiliser BeoLink Multiroom et AirPlay en même temps, ouvrez d'abord l'application Bang & Olufsen et suivez Paramètres du produit -> BeoLink Multiroom -> Activer AirPlay.

#### Remarque :

BeoLink Multiroom ne peut pas être utilisé avec Chromecast intégré, car toutes les expériences multiroom doivent être configurées à l'aide des fonctions propres à Google, comme les groupes d'enceintes.

### Apple AirPlay

Pour créer une expérience multiroom avec AirPlay, sélectionnez plusieurs enceintes dans le menu de sortie audio de votre appareil Apple. Le Beoconnect Core peut également lire des contenus en synchronisation avec les enceintes d'autres marques qui prennent en charge AirPlay.

### Chromecast built-in

Vous pouvez utiliser l'application Google Home sur votre smartphone pour créer des groupes d'enceintes puis diffuser des contenus sur ces enceintes avec Chromecast.

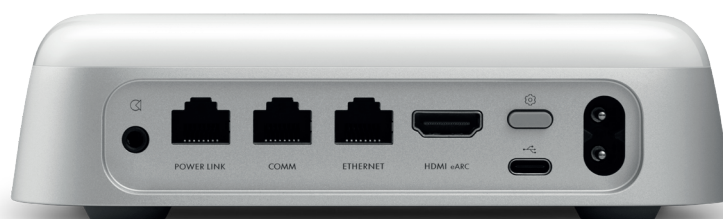
## Nice to know

### MODE DE CONFIGURATION WI-FI

Vous pouvez connecter votre Beoconnect Core à un nouveau réseau sans fil ou réinitialiser la connexion en appuyant sur le bouton Setup situé à l'arrière du Beoconnect Core et en le maintenant enfoncé pendant 2 secondes. Vous entendrez un signal sonore et l'indicateur de statut deviendra orange.

Dans les paramètres du produit de l'application Bang & Olufsen, sélectionnez Nouvelle configuration pour connecter l'enceinte au Wi-Fi.

Pour annuler la configuration Wi-Fi et vous reconnecter au réseau précédent, appuyez de nouveau sur le bouton et maintenez-le enfoncé.



### RÉGLAGES D'USINE

Vous pouvez restaurer les paramètres d'usine en appuyant sur le bouton de configuration situé à l'arrière de votre Beoconnect Core et en le maintenant enfoncé pendant 8 secondes.

Votre Beoconnect Core lancera le processus de réinitialisation et, après environ une minute, votre Beoconnect Core sera à nouveau prêt pour une première installation.

### UTILISATION QUOTIDIENNE

Utilisez votre appareil mobile pour contrôler le Beoconnect Core sur l'application Bang & Olufsen ou connectez une télécommande Bang & Olufsen à vos sources de contenus ou à vos services préférés.

#### Bluetooth

Pour coupler un nouvel appareil, appuyez brièvement sur le bouton Setup. Lorsque le voyant commence à clignoter en bleu, accédez aux paramètres Bluetooth de votre appareil et sélectionnez votre Beoconnect Core. Une fois l'appareil connecté, vous êtes prêt à lire des contenus.

Si votre appareil a déjà été couplé, vous pouvez le reconnecter à partir des paramètres Bluetooth de votre appareil sans avoir à effectuer de nouveau le couplage.







VOYANT LUMINEUX

Le voyant lumineux se trouve à l'avant du Beoconnect Core et indique l'état de l'appareil :

INDICATEUR

D'ÉTAT

**Blanc**

Fixe  
Clignotant  
Pulsation lente

Connecté au réseau, prêt à l'emploi  
Démarrage  
Lecture en pause

**Bleu**

Fixe (5 s)  
Pulsation lente

\*Connecté/Couplé par Bluetooth  
Ouverture pour le couplage Bluetooth

**Rouge**

Fixe  
Clignotant

Erreur statique\*  
Erreur transitoire, par ex. surchauffe

**Orange**

Fixe  
Clignotant  
Pulsation

Aucune connexion réseau, connexion perdue  
Prêt pour la configuration du réseau  
Connexion au réseau

**Vert**

Pulsation

Mise à jour logicielle en cours – Attendez que le voyant devienne à nouveau blanc

\*Veuillez contacter le service clients pour obtenir de l'aide.  
C'est également possible dans la section Support de l'application Bang & Olufsen.

## Empiece

### INTRODUCCIÓN

Su Beoconnect Core es mucho más que un dispositivo de streaming: llevará los productos Bang & de Olufsen al futuro.

En esta guía, encontrará información sobre el uso diario de su Beoconnect Core y los productos conectados, así como descripciones detalladas de las características y funciones.

Su distribuidor Bang & Olufsen es el primer lugar al que debe acudir para todas las consultas relacionadas con el servicio. Para encontrar su distribuidor más cercano, visite la siguiente página web:

[stores.bang-olufsen.com/en/search](https://stores.bang-olufsen.com/en/search)



### DESCARGAR LA APLICACIÓN BANG & OLUFSEN

Para configurar su Beoconnect Core, descargue la aplicación Bang & Olufsen desde la tienda de aplicaciones designada.

En la aplicación, puede configurar su producto y obtener la experiencia completa de Bang & Olufsen. Acceda a esta experiencia con personalización de audio, asistencia técnica, conexión a la red, actualizaciones automáticas de software y nuevas funciones al alcance de la mano.

Nota:

- Si la aplicación no puede detectar su producto, confirme que Bluetooth y wifi estén activados en el dispositivo.
- Asegúrese también de permitir que la aplicación Bang & Olufsen pueda buscar dispositivos en la red local.
- Vaya a «Configuración», seleccione la aplicación «Bang & Olufsen» y active «Bluetooth» y
- “Red local” o establezca los permisos para que su dispositivo pueda acceder a dispositivos cercanos, dependiendo del sistema operativo.



## CUESTIONES RELEVANTES PARA LA CONFIGURACIÓN

Antes de conectar cualquier cable o dispositivo a BeoConnect Core, asegúrese de que todo esté apagado y desconectado de la red eléctrica. Antes de conectar cualquier cable o dispositivo a BeoConnect Core, asegúrese de que todo esté apagado y desconectado de la red eléctrica.

Utilice la aplicación Bang & Olufsen para conectar su Beoconnect Core a Internet. Una vez conectado Beoconnect Core, buscará las actualizaciones de software disponibles.

Las actualizaciones automáticas de software se pueden configurar en la aplicación Bang & Olufsen. Nota: El único cable incluido es uno de alimentación local.



## FUENTES

Con Beoconnect Core podrá reproducir su música favorita utilizando las siguientes fuentes:

### Bang & Olufsen Radio

Utilice la aplicación Bang & Olufsen para seleccionar emisoras y establecer favoritos.

### Beolink, AirPlay y Chromecast

Capacidades de transmisión y multisala desde el dispositivo.

### Spotify, Tidal y Deezer Connect

Transmisión a través de la nube y opciones de establecer favoritos.

### Bluetooth 5.3

Para transmitir audio y conectar un Beoremove One BT o Beoremove Halo.

### Wi-Fi

IEEE802.11 b/a/g/n/ac/ax

### Entrada de línea/óptica

Conector combinado de 3,5 mm para conexión analógica o digital con reproductores de música.

### Power Link

Para la conexión con la mayoría de altavoces Beolab.

### COMM

Para la conexión con Beosound Shape.

### Ethernet

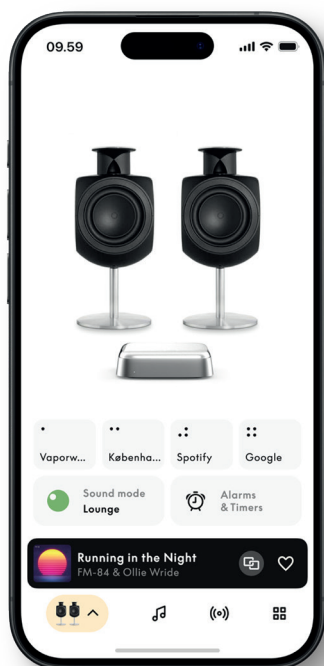
Conexión por cable a su red doméstica.

### HDMI eARC

Televisores de terceros con ARC/eARC

### USB-C

Para la conexión de audio digital a Beolab 50/90 o para conectar audio desde un ordenador.



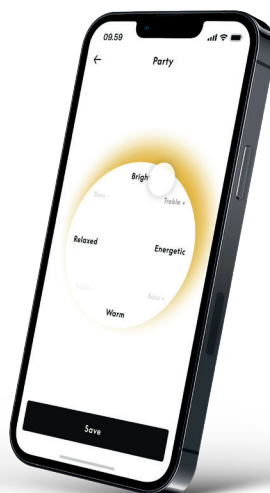
## PERSONALICE SU SONIDO EN LA APLICACIÓN BANG & OLUFSEN

Ajuste el sonido y aproveche sus altavoces y Beoconnect Core al máximo con la aplicación Bang & Olufsen. Con los modos de sonido, podrá seleccionar el sonido que más le guste. Beoconnect Core incluye el modo de sonido óptimo desde el principio. Sin embargo, los modos de sonido personalizados se pueden guardar para más tarde desde Beosonic y activar desde la lista.

Para eliminar un modo de sonido guardado, presiónelo y deslice el dedo hacia la izquierda para mostrar el botón Eliminar. Para editar un modo de sonido guardado, mantenga pulsado el modo de sonido que desea editar.

### Beosonic

Los algoritmos avanzados digitales de sonido desarrollados por nuestro equipo de acústica le permiten explorar diferentes espacios de audio solo con mover el círculo.



### Modos Beosound Shape

Con Beosound Shape puede elegir entre tres formas diferentes de escuchar. Los tres modos de sonido mezclan los canales izquierdo y derecho con el número de altavoces de la configuración real:

- **Band on the Wall:** Al utilizar el modo de sonido “Band on the Wall”, la voz principal permanece en la misma posición y las partes restantes de la mezcla se distribuyen independientemente de la posición del oyente.
- **Social:** Al usar el modo de sonido “Following sound stage”, la posición de la voz principal permanece delante del oyente y las partes restantes de la mezcla se distribuyen independientemente de la posición del oyente.
- **Estéreo:** Al utilizar el modo de sonido “Estéreo”, la posición de la voz principal aparecerá en el altavoz externo más cercano, como en la configuración estéreo tradicional. A diferencia de la configuración estéreo tradicional, el resto de altavoces mejorarán el nivel de sonido entre estos. Este modo de sonido está pensado para usarse cuando Beosound Shape forma parte de una configuración de sonido envolvente multicanal, es decir, como altavoz trasero.

## FAVORITOS

Beoconnect Core es compatible con Favoritos a través de la aplicación Bang & Olufsen o un mando a distancia vinculado que tenga botones de favoritos (MyButtons).

En su página del producto de la aplicación Bang & Olufsen, diríjase a Radio y, luego, a Búsqueda para elegir una emisora. Toque el icono Más para asignarlo a un favorito.

Los botones están preconfigurados con las emisoras de radio más populares de su zona y se pueden personalizar fácilmente según sus preferencias: cambie a otras emisoras con Bang & Olufsen Radio o acceda a listas de reproducción a través de Spotify Connect, Deezer Connect o Tidal Connect.

Para guardar un favorito, comience a reproducir la radio o una lista de reproducción en su Beoconnect Core. A continuación, mantenga pulsado el botón Favorito al que desea asignar el favorito en el mando a distancia durante dos segundos. Un sonido de confirmación indicará que su selección se ha guardado. En la aplicación Bang & Olufsen, mantenga pulsado el botón Favorito para guardar la emisora de radio o lista de reproducción que esté reproduciendo actualmente en ese botón. Una vez guardada, simplemente, acceda a su favorito con solo pulsar un botón.



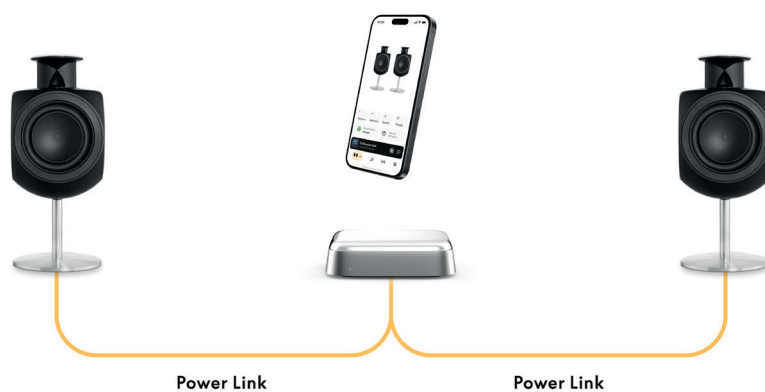
CONECTARSE A BEOLAB SPEAKERS A TRAVÉS DE POWERLINK

Al utilizar la conexión Power Link estéreo, puede transformar sus altavoces Beolab en los altavoces de streaming de hoy en día. Beoconnect Core tiene una toma de salida Power Link (RJ45) que puede conectar dos altavoces Beolab cualesquiera con una entrada Power Link. Hay dos formas de conectarse a través de Power Link:

- Conexión en cadena: Si sus altavoces tienen dos tomas Power link, puede conectarse desde Beoconnect Core al primer altavoz y, luego, desde el primer altavoz al segundo.
- Divisor: Conecte un cable divisor Power Link a Beoconnect Core y, a continuación, conecte ambos altavoces al divisor.

Después de conectar los altavoces a través de Power Link, conecte todos los dispositivos a la red eléctrica y continúe con la configuración en la aplicación Bang & Olufsen. Después de conectar su Beoconnect Core a la red, deberá configurar los altavoces conectados y asegurarse de que la función izquierda y derecha están correctamente configuradas.

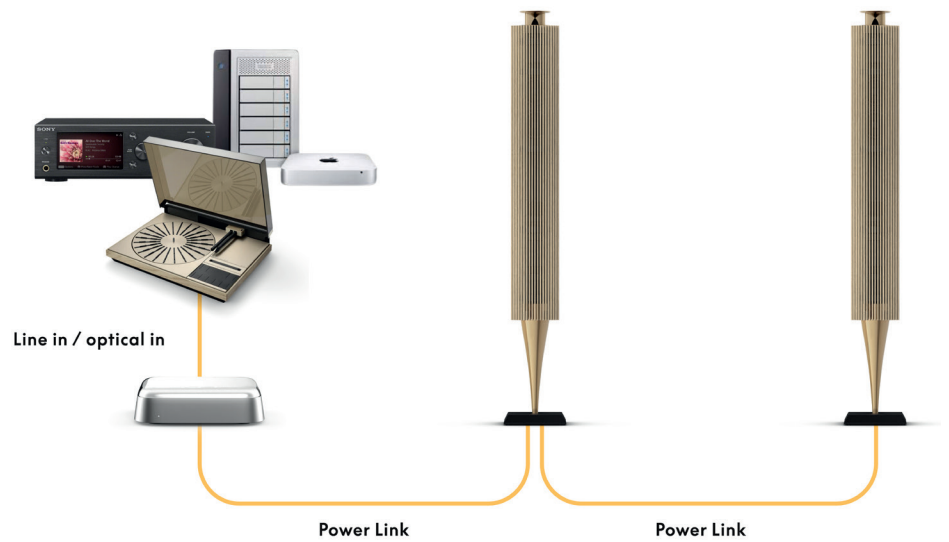
Póngase en contacto con su distribuidor de Bang & Olufsen a fin de obtener los cables adecuados para sus altavoces y su configuración preferida.



CONECTARSE A FUENTES EXTERNAS DE AUDIO

La ilustración anterior muestra cómo puede añadir altavoces Beolab a una fuente de música. El conector de 3,5 mm de Beoconnect Core se puede utilizar para conectar cualquier fuente de audio analógica o digital (óptica) de línea para reproducirla a través de los altavoces conectados. Póngase en contacto con su distribuidor de Bang & Olufsen a fin de obtener los cables adecuados para conectar su dispositivo.

Nota: Si desea conectar un tocadiscos, se requiere un preamplificador RIAA integrado en el tocadiscos o externo entre este y Beoconnect Core.



CONECTARSE A UNA TELEVISIÓN DE TERCEROS

Beoconnect Core puede conectarse a la mayoría de los TV que no sean Bang & Olufsen, lo que permite que el sonido de sus programas preferidos se reproduzca a través de altavoces conectados.

Solo tiene que conectar Beoconnect Core a su TV con un cable HDMI colocando un extremo en el puerto HDMI eARC del Beoconnect Core y el otro en el puerto HDMI eARC/ARC de su TV. Busque los puertos etiquetados en su TV para localizar el correcto.

Una vez conectado, Beoconnect Core se sincronizará con la TV, encenderá y entrará en modo de espera junto con ella. Puede ajustar el volumen con el mando a distancia de la TV. Nota: Es posible que deba configurar el TV para que solo emita sonido estéreo (PCM).

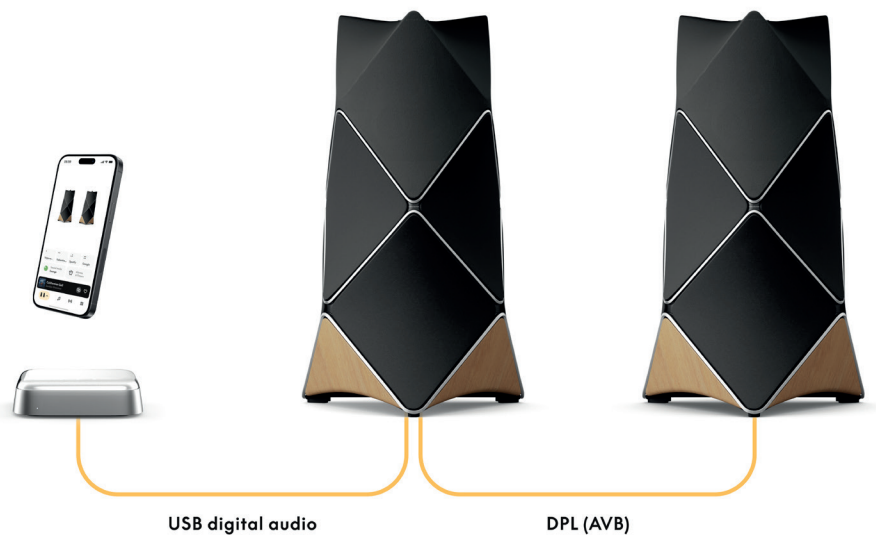
Beoconnect Core no puede decodificar formatos de sonido surround, como Dolby Atmos, que son los predeterminados en algunos televisores.





**CONECTARSE A BEOLAB 50 O 90**

Los altavoces Beolab 50 y 90 se pueden conectar al puerto USB-C para crear una cadena de señal totalmente digital desde la fuente hasta el altavoz. Utilice un cable USB-C a USB-B 2.0 entre Beoconnect Core y el altavoz principal. Conecte los altavoces primario y secundario a través de las tomas DPL (RJ45). Después de conectar los altavoces a través de USB, conecte todos los dispositivos a la red eléctrica y continúe con la configuración en la aplicación Bang & Olufsen. Una vez que conecte Beoconnect Core a su red, verá una opción para habilitar Beolab 50 o 90 en la pantalla de control.



## CONECTARSE A BEOSOUND SHAPE

Actualice BeoSound Shape con Beoconnect Core para obtener una calidad de sonido mejorada y una conexión digital directa a los amplificadores.

**Nota:**

Se necesita un soporte al instalar Beoconnect Core en una instalación Beosound Shape.

Conecte un cable RJ45 Cat7 desde la toma "COMM" de Beoconnect Core hasta la toma "COMM In" del amplificador BeoSound Shape principal.

Al sustituir BeoSound Core en una instalación BeoSound Shape actual por Beoconnect Core, asegúrese de desconectar BeoSound Shape de la red eléctrica. A continuación, conecte todos los cables entre Beoconnect Core y el amplificador principal. Luego, conecte tanto el amplificador como Beoconnect Core a la red eléctrica. Asegúrese de encender primero el amplificador y, después, el Beoconnect Core.

**Nota:**

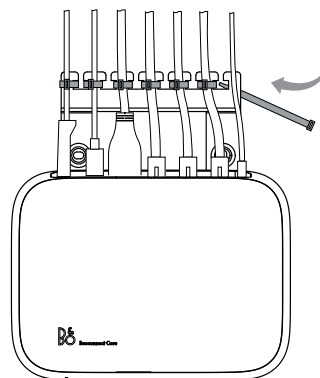
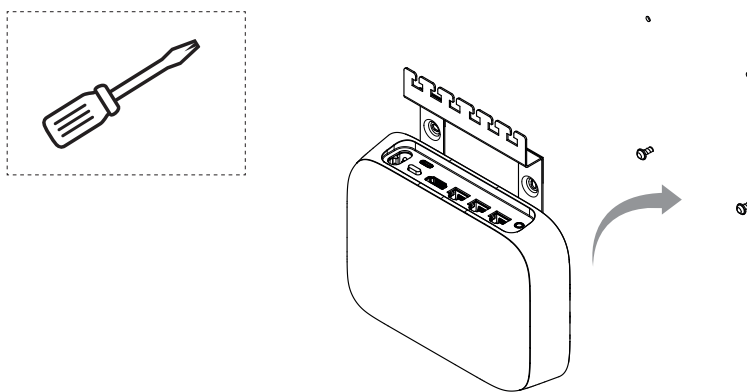
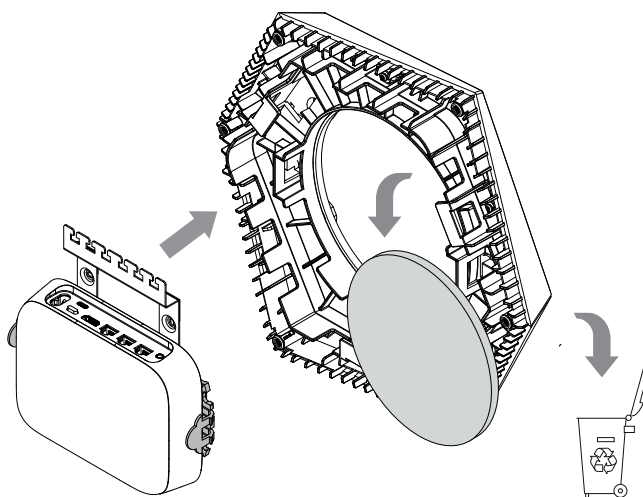
Una vez encendidos, continúe la configuración en la aplicación Bang & Olufsen. Asegúrese de tener preparado el identificador de diseño de su diseño exclusivo BeoSound Shape, ya que debe introducirlo en la aplicación para finalizar la configuración.



SOLUCIONES DE SOPORTE DE PARED Y BEOSOUND SHAPE

Para instalar Beoconnect Core en un panel Beosound Shape, se necesita el soporte de Beoconnect Core. Puede utilizar el mismo soporte para instalar su Beoconnect Core en la pared. Para obtener más instrucciones, consulte la guía incluida con el soporte de Beoconnect Core.

El soporte de Beoconnect Core está disponible para su compra en distribuidores de Bang & Olufsen y en [www.bang-olufsen.com](http://www.bang-olufsen.com).





## MULTIROOM

Consiga que toda la casa se una. Beoconnect Core puede conectarse a otros altavoces en un sistema multisala y permitir que varios altavoces de su casa reproduzcan el mismo contenido a la vez. Puede disfrutar multisala de varias formas distintas:

### Beolink Multiroom

Beolink Multiroom es el sistema multisala propio de Bang & Olufsen. Puede distribuir casi todo\* lo que se reproduzca en su Beoconnect Core a otros altavoces y televisores Bang & Olufsen de la misma red.

Para escuchar lo que se reproduce en Beoconnect Core en otro altavoz, mantenga pulsado [reproducir/pausar] en ese altavoz (durante dos segundos) para unirse a la experiencia.

Para disfrutar una experiencia continua en Beoconnect Core, utilice la función Unirse en el mando a distancia Bang & Olufsen vinculado o use la aplicación Bang & Olufsen para ver qué productos se están reproduciendo y añadir más a la experiencia en curso.

#### Nota:

Para utilizar Beolink Multiroom y AirPlay juntos, abra primero la aplicación Bang & Olufsen y diríjase a Configuración del producto -> Beolink Multiroom -> Activar AirPlay.

#### Nota:

Beolink Multiroom no se puede utilizar junto con Chromecast integrado, ya que todas las experiencias multisala deben configurarse con las funciones propias de Google, como los grupos de altavoces.

### Apple AirPlay

Para crear una experiencia multisala con AirPlay, seleccione varios altavoces en el menú de salida de sonido de su dispositivo Apple. Beoconnect Core también puede reproducirse junto con altavoces de otras marcas compatibles con AirPlay.

### Chromecast incorporado (built-in)

Puede utilizar la aplicación Google Home en su smartphone para crear grupos de altavoces y, a continuación, transmitir contenidos a estos altavoces a través de Chromecast.

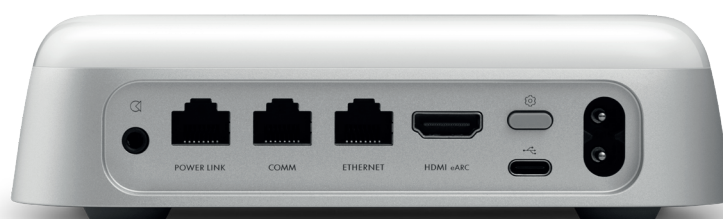
## Es bueno saberlo

### MODO CONFIGURACIÓN WIFI

Puede conectar su Beoconnect Core a una nueva red inalámbrica o restablecer la conexión manteniendo pulsado el botón Configuración situado en la parte posterior del Beoconnect Core durante 2 segundos. Escuchará un aviso sonoro y el indicador de estado empezará a parpadear en ámbar.

En la configuración del producto de la aplicación Bang & Olufsen, seleccione volver a configurar para conectar el altavoz a la red wifi.

Para cancelar la configuración de wifi y volver a conectarse a la red anterior, vuelva a mantener el botón pulsado.



### RESTABLECIMIENTO DE LA CONFIGURACIÓN DE FÁBRICA

Para restaurar la configuración de fábrica, mantenga pulsado el botón de configuración situado en la parte posterior del Beoconnect Core durante 8 segundos.

Su Beoconnect Core iniciará el proceso de reinicio y después de, aproximadamente, un minuto, su Beoconnect Core estará listo para ser configurado de nuevo por primera vez.

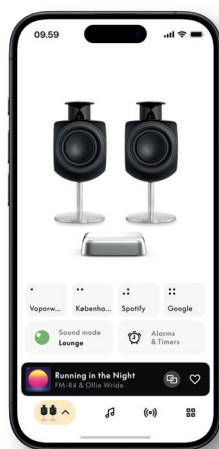
### USO DIARIO

Utilice su dispositivo móvil para controlar Beoconnect Core a través de la aplicación Bang & Olufsen o conecte un mando a distancia Bang & Olufsen para sus fuentes o servicios de contenido preferidos.

#### Bluetooth

Para vincular un dispositivo nuevo, pulse el botón Configuración brevemente. Cuando la luz comience a parpadear en azul, diríjase a la configuración de Bluetooth del dispositivo y seleccione su Beoconnect Core. Una vez conectado, estará listo para reproducir.

Si su dispositivo ya se ha vinculado, puede volver a conectarlo desde la configuración de Bluetooth de su dispositivo sin tener que vincularlo nuevamente.





INDICADOR LUMINOSO

El indicador luminoso se encuentra en la parte frontal del Beoconnect Core y muestra el estado del producto:

INDICACIÓN

ESTADOS

**Blanco**

- Constante
- Intermitente
- Parpadeando lentamente

- conectado a la red, listo para usar
- Iniciando
- Reproducción en pausa

**Azul**

- Constante (5 seg)
- Parpadeando

- \*Conectado/Bluetooth vinculado
- Abrir para emparejamiento Bluetooth

**Rojo**

- Constante
- Intermitente

- Error estático\*
- Error transitorio, p. ej. sobrecalentamiento

**Ámbar**

- Constante
- Intermitente
- Parpadeando

- No hay conexión a la red, se perdió la conexión
- Listo para la configuración de red
- Conectándose a la red

**Verde**

- Parpadeando

- Actualización de software en curso:  
espere hasta que la luz se vuelva blanca constante

\*Póngase en contacto con Atención al cliente para obtener ayuda.  
Esto también es posible desde la sección Asistencia de la aplicación de Bang & Olufsen.



## Come iniziare

### INTRODUZIONE

Beoconnect Core è molto più di una streaming box: porterà i tuoi prodotti Bang & Olufsen nel futuro.

Questa guida contiene le informazioni sull'uso quotidiano di Beoconnect Core e dei prodotti correlati, oltre a descrizioni dettagliate delle sue caratteristiche e funzionalità.

Il rivenditore Bang & Olufsen è il primo punto di contatto per tutte le richieste di informazioni sull'assistenza. È possibile reperire informazioni sul proprio rivenditore di zona qui:

[stores.bang-olufsen.com/en/search](https://stores.bang-olufsen.com/en/search)



### SCARICA L'APP DI BANG & OLUFSEN

Per configurare Beoconnect Core, scaricare l'app Bang & Olufsen dall'App store indicato.

L'app consente di configurare il prodotto Bang & Olufsen per un'esperienza d'uso ottimale. Sblocca l'esperienza completa del prodotto con personalizzazione audio, supporto per i prodotti, connessione di rete, aggiornamenti software automatici e nuove funzionalità subito disponibili.

Nota:

- Se l'app non riesce a rilevare il prodotto, assicurarsi che Bluetooth e Wi-Fi siano abilitati sul dispositivo.
- Assicurarsi inoltre di consentire all'app Bang & Olufsen di cercare i dispositivi sulla rete locale.
- Andare su "Impostazioni", selezionare l'app "Bang & Olufsen" e attivare "Bluetooth", quindi
- "Rete locale" o impostare le autorizzazioni affinché il dispositivo possa accedere ai dispositivi vicini, a seconda del sistema operativo.

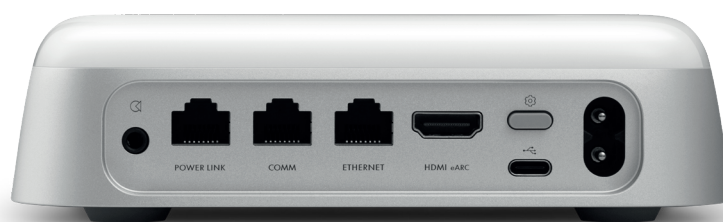


## VERIFICHE DI CONFIGURAZIONE

Prima di collegare cavi o dispositivi a Beoconnect Core, assicurarsi che tutto sia spento e scollegato dall'alimentazione elettrica. Prima di collegare cavi o dispositivi a Beoconnect Core, assicurarsi che tutto sia spento e scollegato dall'alimentazione elettrica.

Usare l'app Bang & Olufsen per connettere Beoconnect Core a Internet. Una volta connesso, Beoconnect Core cercherà gli aggiornamenti software disponibili.

Gli aggiornamenti automatici del software possono essere configurati nell'app Bang & Olufsen. Nota: l'unico cavo incluso è un cavo di alimentazione localizzato.



## FONTI

Con Beoconnect Core è possibile riprodurre in streaming la musica preferita utilizzando le seguenti fonti:

### Radio Bang & Olufsen

Usare l'app Bang & Olufsen per selezionare le stazioni e impostare i preferiti.

### Beolink, AirPlay e Chromecast

Streaming dal dispositivo e funzionalità multiroom.

### Spotify, Tidal e Deezer Connect

Streaming tramite cloud e opzioni per impostare i preferiti.

### Bluetooth 5.3

Per lo streaming audio e il collegamento di un Beoremote One BT o Beoremote Halo.

### Wi-Fi

IEEE802.11 b/a/g/n/ac/ax

### Ingressi Line-in e ottico

Combo-jack da 3,5 mm per la connessione analogica o digitale ai lettori musicali.

### Power link

Per il collegamento alla maggior parte dei diffusori Beolab.

### COMM

Per il collegamento a un Beosound Shape.

### Ethernet

Connessione cablata alla rete domestica.

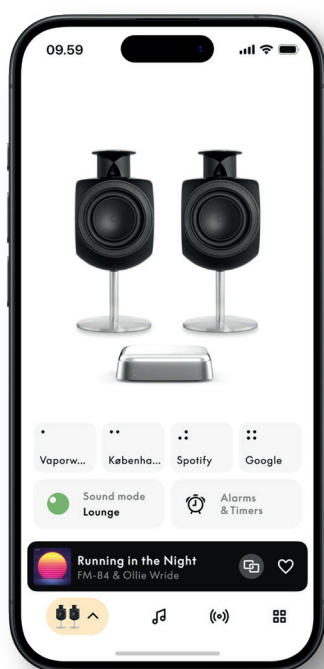
### HDMI eARC

TV di terze parti con ARC/eARC

### USB-C

Per il collegamento dell'audio digitale a Beolab 50/90 o per collegare l'audio da un computer.





## PERSONALIZZARE L'AUDIONELL' APP BANG & OLUFSEN

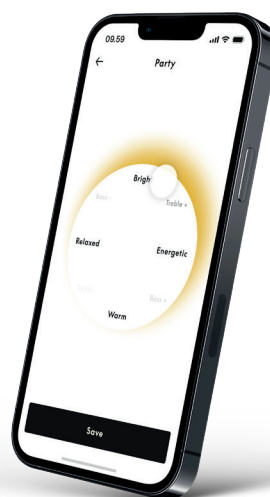
È possibile regolare l'audio e ottenere il massimo dai diffusori di Beoconnect Core tramite l'app Bang & Olufsen. Con le modalità audio, è possibile personalizzare l'audio secondo i propri gusti.

Beoconnect Core include la modalità audio ottimale fin dall'inizio, ma è possibile salvare le modalità audio personalizzate per un secondo momento su Beosonic e attivarle dall'elenco.

Per eliminare una Modalità audio salvata, basta toccare e scorrere verso sinistra per visualizzare il pulsante di eliminazione. Per modificare una modalità audio salvata, tenere premuta la modalità audio desiderata.

### Beosonic

Gli algoritmi audio digitali avanzati sviluppati dal team di acustica di Bang & Olufsen consentono di esplorare diversi spazi acustici semplicemente spostando il cerchio.



### Modalità Beosound Shape

Con Beosound Shape è possibile scegliere tra tre diversi modalità di ascolto. Tutte e tre le modalità audio remixano i canali sinistro e destro in base al numero di diffusori nella configurazione effettiva:

- **Band on the Wall:** quando si utilizza la modalità audio "Band on the Wall", la posizione della voce solista rimane la stessa, mentre le restanti parti del mix verranno distribuite indipendentemente dalla posizione dell'ascoltatore.
- **Social:** quando si utilizza la modalità sonora "Seguire il palcoscenico sonoro", la posizione della voce solista rimane di fronte all'ascoltatore mentre le restanti parti del mix verranno distribuite indipendentemente dalla posizione dell'ascoltatore.
- **Stereo:** quando si utilizza la modalità audio "Stereo", la posizione della voce solista apparirà nel diffusore più vicino ed esterno, come nella tradizionale configurazione stereo. A differenza della tradizionale configurazione stereo, i diffusori restanti miglioreranno la scena sonora tra di essi. Questa modalità audio è destinata all'uso quando Beosound Shape fa parte di una configurazione surround multicanale, ad esempio come diffusore posteriore.

## PREFERITI

Beoconnect Core supporta i Preferiti attraverso l'App Bang & Olufsen o un telecomando abbinato che dispone di pulsanti dedicati (MyButton).

Nella pagina del prodotto dell'app Bang & Olufsen, scorrere fino alla sezione Radio, quindi usare Cerca per scegliere una stazione. Toccare l'icona Altro per assegnare la stazione a un pulsante dei preferiti.

I pulsanti sono pre-programmati con le stazioni radio più popolari della zona e possono essere facilmente personalizzati in base alle preferenze: è possibile passare ad altre stazioni utilizzando la radio Bang & Olufsen o accedere alle playlist tramite Spotify Connect, Deezer Connect o Tidal Connect.

Per salvare un preferito, iniziare a riprodurre la radio o una playlist su Beoconnect Core. Quindi, tenere premuto per due secondi il pulsante Preferiti a cui desidera assegnare il preferito sul telecomando. Un suono di conferma indicherà che la selezione è stata salvata. Nell'applicazione Bang & Olufsen, tenere premuto il pulsante Preferiti per salvare la stazione radio o la playlist attualmente in riproduzione su quel pulsante. Una volta salvato, è possibile accedere ai preferiti con una breve pressione del pulsante.



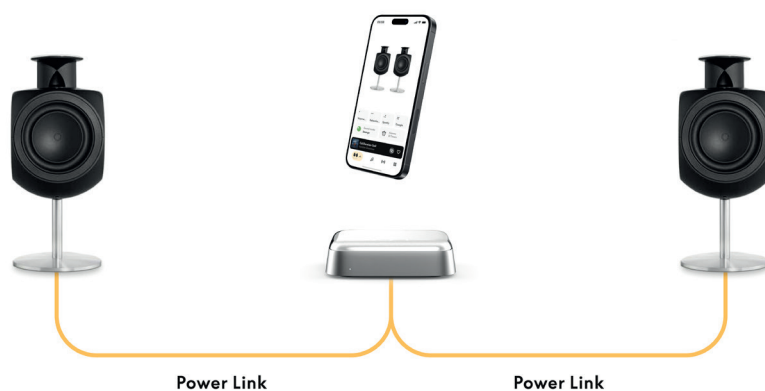
CONNESSIONE A LAB SPEAKER STRAMITE POWERLINK

Utilizzando la connessione stereo Power Link, è possibile trasformare i diffusori Beolab nei diffusori in streaming di oggi. Beoconnect Core è dotato di una presa d'uscita Power Link (RJ45) in grado di collegare due diffusori Beolab a un ingresso Power Link. Ci sono due modi per collegarsi tramite Power Link

- **Collegamento seriale:** se i diffusori sono dotati di due prese Power Link, è possibile collegarsi da Beoconnect Core al primo diffusore e quindi dal primo diffusore al secondo.
- **Splitter:** collegare un cavo splitter Power Link a Beoconnect Core, quindi entrambi i diffusori allo splitter.

Dopo aver collegato i diffusori tramite Power Link, collegare tutti i dispositivi alla rete elettrica e continuare la configurazione nell'app Bang & Olufsen. Dopo aver collegato Beoconnect Core alla rete, è necessario configurare i diffusori collegati e assicurarsi che il ruolo sinistro e il ruolo destro siano impostati correttamente.

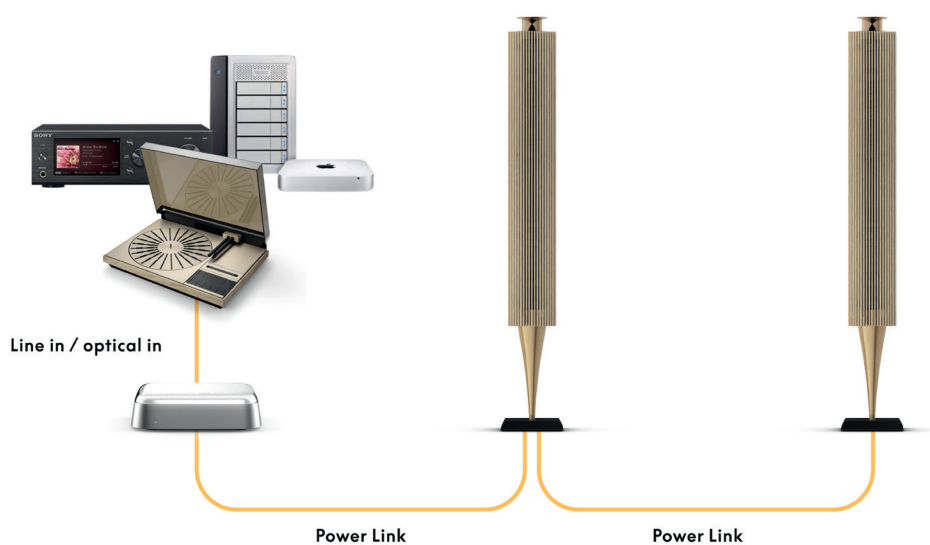
Contattare il rivenditore Bang & Olufsen per il set di cavi corretto per i diffusori e la configurazione preferita.



CONNESSIONE A FONTI AUDIO ESTERNE

L'illustration ci-dessus montre comment ajouter des enceintes Beolab à une source musicale. La prise jack 3,5 mm sur le Beoconnect Core peut être utilisée pour connecter n'importe quelle source audio analogique ou numérique (optique) de niveau ligne afin qu'elle puisse être lue par les enceintes connectées. Contactez votre revendeur Bang & Olufsen pour obtenir l'ensemble de câbles approprié pour connecter votre appareil.

Remarque : si vous souhaitez connecter une platine, un préamplificateur RIAA est requis (soit intégré à la platine, soit entre elle et votre Beoconnect Core).



CONNESSIONE A UN TELEVISOR EDITERZ A PARTE

Beoconnect Core può connettersi alla maggior parte delle TV non Bang & Olufsen, consentendo la riproduzione dell'audio dei programmi preferiti tramite i diffusori collegati.

Basta collegare Beoconnect Core alla TV con un cavo HDMI, collegando un'estremità alla porta HDMI eARC su Beoconnect Core e l'altra alla porta HDMI eARC/ARC sulla TV. Cercare le porte etichettate sulla sua TV per trovare quella giusta.

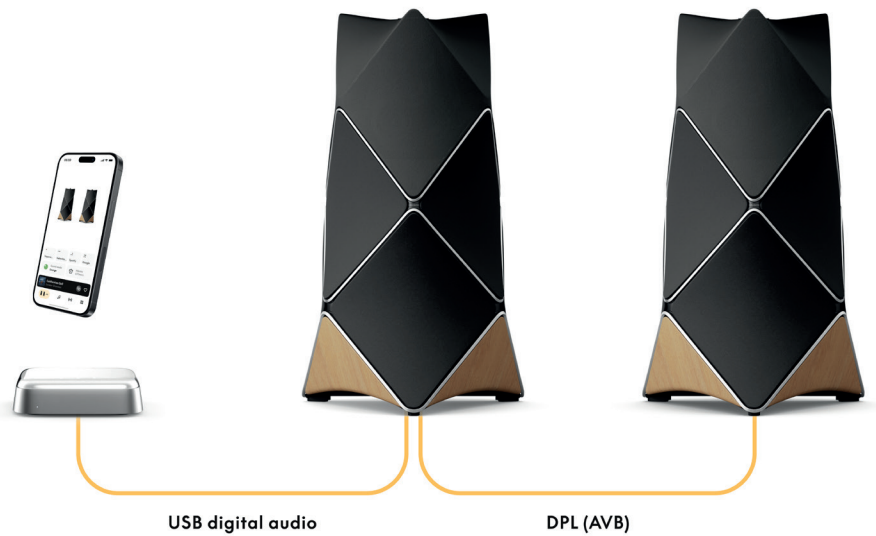
Una volta connesso, Beoconnect Core si sincronizzerà con la TV, accendendosi ed entrando in modalità standby. È possibile regolare il volume utilizzando il telecomando della TV.

Nota: potrebbe essere necessario configurare il televisore per inviare solo audio stereo (PCM). Beoconnect Core non è in grado di decodificare i formati audio surround, come Dolby Atmos, che costituiscono le impostazioni predefinite di alcuni televisori.



CONNESSIONE BEOLAB 50 O 90

I diffusori Beolab 50 e 90 possono essere collegati alla porta USB-C per creare una catena di segnali completamente digitale dalla fonte al diffusore. Utilizzare un cavo USB-C per USB-B 2.0 tra Beoconnect Core e il diffusore principale. Collegare i diffusori primario e secondario insieme tramite le prese DPL (RJ45). Dopo aver collegato i diffusori via USB, collegare tutti i dispositivi alla rete elettrica e continuare la configurazione nell'App Bang & Olufsen. Dopo aver collegato Beoconnect Core alla rete, si vedrà un'opzione per abilitare Beolab 50 o 90 nella schermata di controllo.



## CONNESSIONE A BEOSOUND SHAPE

È possibile aggiornare Beosound Shape con Beoconnect Core per una migliore qualità del suono e una connessione digitale diretta agli amplificatori.

Nota:

È necessaria una staffa durante l'installazione di Beoconnect Core in una configurazione Beosound Shape.

Collegare un cavo RJ45 Cat7 dalla presa "COMM" di Beoconnect Core alla presa "COMM In" dell'amplificatore primario Beosound Shape.

Quando si sostituisce Beosound Core in una configurazione di Beosound Shape esistente con il Beoconnect Core, assicurarsi di scollegare il Beosound Shape dalla rete elettrica. Collegare quindi tutti i cavi tra Beoconnect Core e l'amplificatore principale. In seguito, collegare sia l'amplificatore che Beoconnect Core alla rete elettrica. Assicurarsi di accendere prima l'amplificatore e poi Beoconnect Core.

Nota:

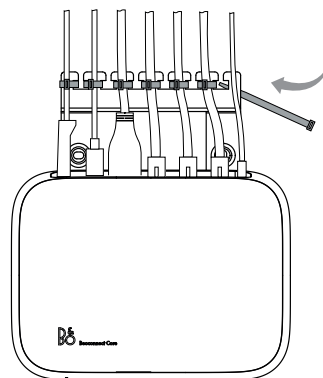
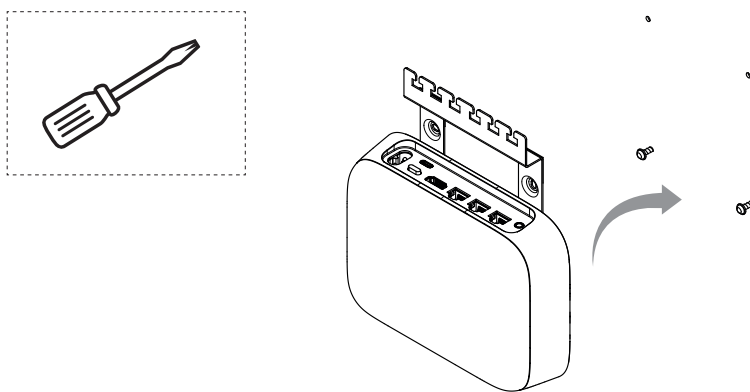
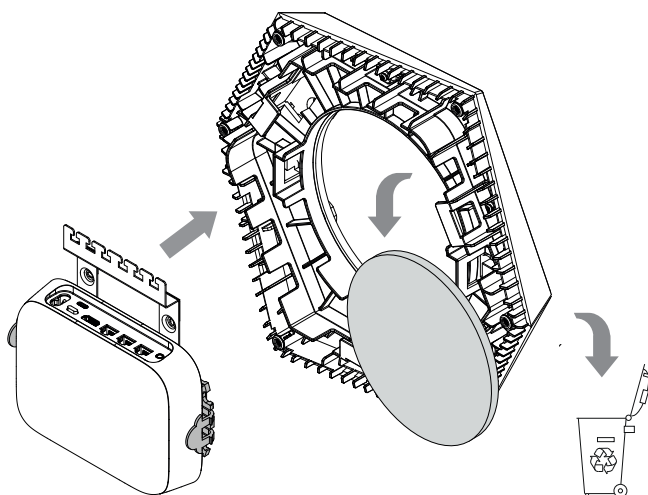
Dopo l'accensione, continuare la configurazione nell'app Bang & Olufsen. Assicurarsi di avere a portata di mano l'ID di progettazione del design esclusivo Beosound Shape, poiché è necessario inserirlo nell'app per finalizzare la configurazione.



PARETE E BEOSOUND SHAPE SOLUZIONI CON STAFFA

Per il montaggio di Beoconnect Core all'interno di un riquadro Beosound Shape, è necessaria la staffa di Beoconnect Core. La stessa staffa può essere utilizzata per il montaggio a parete di Beoconnect Core. Per ulteriori istruzioni consultare la guida inclusa con la staffa Beoconnect Core.

La staffa Beoconnect Core è disponibile per l'acquisto presso un rivenditore Bang & Olufsen e su [www.bang-olufsen.com](http://www.bang-olufsen.com).







## MULTIROOM

Uniformare l'audio in tutta la casa. Beoconnect Core può collegarsi ad altri diffusori in un sistema multiroom e consentire a più diffusori domestici di riprodurre gli stessi contenuti contemporaneamente. È possibile sfruttare l'opzione multiroom in diversi modi:

### BeoLink Multiroom

BeoLink Multiroom è l'impianto multiroom di Bang & Olufsen, pensato per distribuire quasi qualsiasi contenuto\* riprodotto su Beoconnect Core ad altri diffusori e televisori Bang & Olufsen connessi alla stessa rete.

Per ascoltare l'audio riprodotto su Beoconnect Core su un altro diffusore, premere e tenere premuto [play/pause] su quel diffusore (per due secondi) per partecipare all'esperienza.

Per partecipare a un'esperienza in corso su Beoconnect Core, utilizzare la funzione Ascolta sul telecomando Bang & Olufsen associato oppure utilizzare l'app Bang & Olufsen per vedere quali prodotti sono in riproduzione e aggiungere altro all'esperienza in corso.

#### Nota:

Per utilizzare BeoLink Multiroom e AirPlay insieme, aprire prima l'app Bang & Olufsen e andare su Impostazioni prodotto -> BeoLink Multiroom -> Abilita AirPlay.

#### Nota:

BeoLink Multiroom non può essere utilizzato insieme a Chromecast integrato poiché tutte le esperienze multiroom devono essere configurate utilizzando le funzioni di Google, come i gruppi di diffusori.

### Apple AirPlay

Per creare un'esperienza multiroom con AirPlay, selezionare più diffusori dal menu di uscita audio sul proprio dispositivo Apple. Beoconnect Core funziona anche con diffusori di altre marche che supportano AirPlay.

### Chromecast built-in

È possibile utilizzare l'app Google Home sullo smartphone per creare gruppi di diffusori e quindi trasmettere contenuti a questi diffusori tramite Chromecast

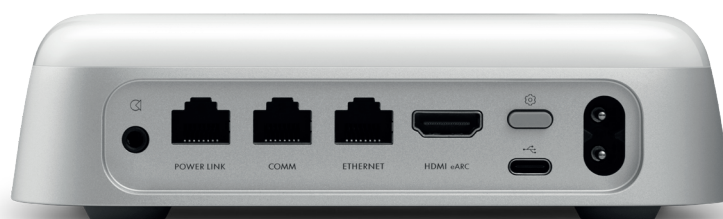
## Nice to know

### CONFIGURAZIONE WI-FI

È possibile collegare Beoconnect Core a una nuova rete wireless o ripristinare la connessione tenendo premuto per 2 secondi il pulsante Setup sul retro di Beoconnect Core. Verrà emesso un segnale acustico e la spia di stato si illuminerà in giallo lampeggiante.

Per collegare il diffusore alla rete Wi-Fi, selezionare Riconfigurazione nelle impostazioni del prodotto dell'app Bang & Olufsen.

Per annullare la configurazione Wi-Fi e riconnettersi alla rete precedente, tenere nuovamente premuto il pulsante.



### RIPRISTINO IMPOST. FABBRICA

È possibile ripristinare le impostazioni di fabbrica tenendo premuto per 8 secondi il pulsante di configurazione sul retro di Beoconnect Core.

Beoconnect Core avvierà il processo di ripristino e, dopo circa un minuto, Beoconnect Core sarà pronto per la prima configurazione.

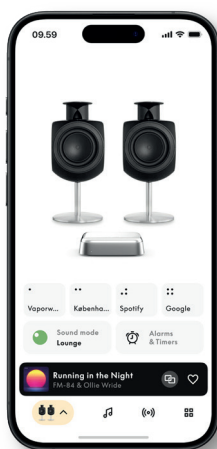
### USO QUOTIDIANO

Usare il proprio dispositivo mobile per controllare Beoconnect Core tramite l'app Bang & Olufsen o collegare un telecomando Bang & Olufsen per le fonti di contenuti o servizi preferiti.

#### Bluetooth

Per associare un nuovo dispositivo, premere brevemente il pulsante Setup. Quando la luce inizia a lampeggiare in blu, andare sulle impostazioni Bluetooth del proprio dispositivo e selezionare Beoconnect Core. Una volta connesso, è pronto per la riproduzione.

Se il dispositivo è già stato abbinato, è possibile riconnetterlo dalle impostazioni Bluetooth del dispositivo senza dover eseguire nuovamente l'abbinamento.





SPIA LUMINOSA

L'indicatore luminoso si trova nella parte anteriore di Beoconnect Core e mostra lo stato del prodotto:

INDICATORE

STATO

**Bianco**

Fisso  
Lampeggiante  
Pulsazione lenta

Collegato alla rete, pronto per l'uso  
Avviamento  
Riproduzione in pausa

**Blu**

Fisso (5 sec)  
Pulsazione

\*Connesso / Bluetooth accoppiato  
Aperto per l'abbinamento Bluetooth

**Rosso**

Fisso  
Lampeggiante

Errore statico\*  
Errore transitorio, ad esempio surriscaldamento

**Ambra**

Fisso  
Lampeggiante  
Pulsazione

Nessuna connessione di rete o connessione persa  
Pronto per la configurazione di rete  
Connessione alla rete

**Verde**

Pulsazione

Aggiornamento software in corso: attendere finché la luce non diventa nuovamente bianca fissa

\*Si prega di contattare l'Assistenza clienti per assistenza.  
È inoltre possibile contattare l'assistenza tramite la sezione Supporto nell'app Bang & Olufsen.



## Começar

### INTRODUÇÃO

O seu Beoconnect Core é muito mais do que uma caixa de transmissão: irá levar os seus produtos Bang & Olufsen para o futuro.

Neste guia encontrará informações sobre o uso diário do seu Beoconnect Core e produtos associados, bem como descrições detalhadas das características e funções.

O seu revendedor Bang & Olufsen é o primeiro lugar a que se deve dirigir se tiver dúvidas relativas a assistência. Pode encontrar o revendedor mais próximo aqui:

[stores.bang-olufsen.com/pt/search](https://stores.bang-olufsen.com/pt/search)



### TRANSFERIR A APLICAÇÃO BANG & OLUFSEN

Para configurar o seu Beoconnect Core, descarregue a aplicação Bang & Olufsen na App Store designada.

Na aplicação pode configurar o seu produto e obter a experiência Bang & Olufsen completa. Desbloqueie toda a experiência do produto de personalização de áudio, suporte do produto, ligação de rede, atualizações automáticas de software e novas funcionalidades na ponta dos dedos.

Nota:

- Se a app não conseguir detetar o seu produto, certifique-se de que o Bluetooth e o Wi-Fi estejam ativos no seu dispositivo.
- Certifique-se também de permitir à aplicação Bang & Olufsen pesquisar dispositivos na rede local.
- Aceda a "Definições", selecione a aplicação "Bang & Olufsen" e ative "Bluetooth" e
- "Rede local" ou defina as permissões para o seu dispositivo aceder a dispositivos próximos, dependendo do sistema operacional.



## NÃO ESQUECER AO CONFIGURAR

Antes de ligar quaisquer cabos ou dispositivos ao Beoconnect Core, certifique-se de está tudo desligado e desligado da corrente. Antes de ligar quaisquer cabos ou dispositivos ao Beoconnect Core, certifique-se de está tudo desligado e desligado da corrente.

Utilize a aplicação Bang & Olufsen para ligar o seu Beoconnect Core à Internet. Assim que o Beoconnect Core estiver ligado, irá procurar atualizações de software disponíveis.

As atualizações automáticas de software podem ser configuradas na aplicação Bang & Olufsen. Nota: o único cabo incluído é um cabo de alimentação localizado.



## FONTES

Com o Beoconnect Core, pode reproduzir as suas músicas favoritas usando as seguintes fontes:

### Rádio Bang & Olufsen

Utilize a aplicação Bang & Olufsen para selecionar estações e definir os favoritos.

### Beolink, AirPlay e Chromecast

Transmissão a partir de dispositivos e funcionalidades multi-divisão.

### Spotify, Tidal e Deezer Connect

Transmissão via cloud e opções para definir os favoritos.

### Bluetooth 5.3

Para reproduzir áudio e ligar um Beoremove One BT ou Beoremove Halo.

### Wi-Fi

IEEE802,11 b/a/g/n/ac/ax

### Linha/entrada ótica

Tomada combinada de 3,5 mm para ligação analógica ou digital a leitores de música.

### Power Link

Para ligação à maioria das colunas Beolab.

### COM

Para ligação a um Beosound Shape.

### Ethernet

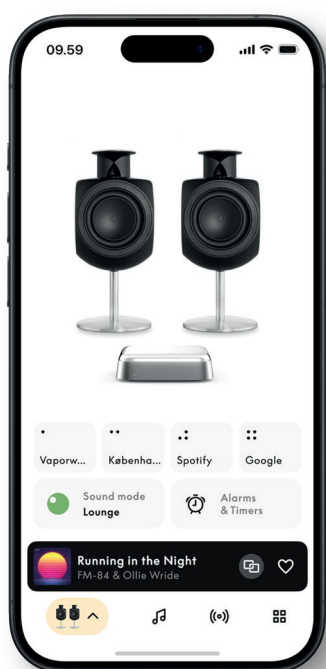
Ligação com fios à sua rede doméstica.

### HDMI eARC

TV de terceiros com ARC/eARC

### USB-C

Para ligação de áudio digital ao Beolab 50/90 ou para ligar áudio a partir de um computador.



## PERSONALIZE O SEU SOM NA APP BANG & OLUFSEN

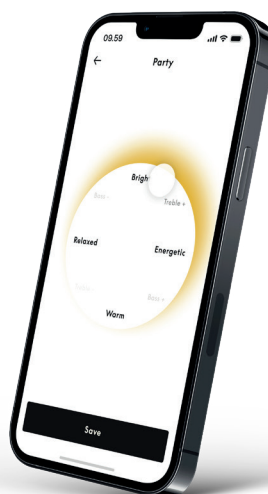
Ajuste o som e tire o máximo partido das suas colunas e Beoconnect Core utilizando a app Bang & Olufsen. Com os Modos de Som, pode selecionar o som ao seu gosto.

O Beoconnect Core inclui o modo de som ideal desde o início. Mas os Modos de som personalizados podem ser guardados para mais tarde a partir do Beosonic e ativados a partir da lista.

Para eliminar um Modo de Som guardado, toque no mesmo e deslize para a esquerda para mostrar o botão de eliminação. Para editar um Modo de Som guardado, prima sem soltar o Modo de Som que pretende editar.

### Beosonic

Os algoritmos avançados de som digital desenvolvidos pela nossa equipa de acústica permitem-lhe explorar diferentes espaços áudio, simplesmente movendo o círculo.



### Modos Beosound Shape

Com o Beosound Shape, pode escolher entre três maneiras diferentes de ouvir música. Os três modos de som remixam os canais esquerdo e direito para o número de colunas na configuração real:

**ophyllum Banda na parede:** ao usar o modo de som “Banda na parede”, a localização do vocal principal permanece na mesma posição, e as partes restantes da mistura serão distribuídas à volta da posição do ouvinte.

– **Social:** ao utilizar o modo de som “Following sound stage”, a localização do vocal principal mantém-se à frente do ouvinte e as restantes partes da mistura serão distribuídas, independentemente da posição do ouvinte.

– **Estéreo:** ao utilizar o modo de som “Estéreo”, a localização do vocal principal aparecerá na coluna exterior mais próximo, como na configuração estéreo tradicional. Ao contrário da configuração estéreo tradicional, os restantes colunas irão melhorar o palco sonoro entre as colunas. Este modo de som destina-se a ser utilizado quando o Beosound Shape faz parte de uma configuração surround multicanal, ou seja, como coluna traseira.

## FAVOURITES

O Beoconnect Core suporta Favoritos através da aplicação Bang & Olufsen ou um comando à distância emparelhado que tem botões Favoritos (MyButtons).

Na página do produto na aplicação Bang & Olufsen, vá a Rádio e depois a Procurar para selecionar uma estação. Toque no ícone Mais para atribuí-lo a um favorito.

Os botões são pré-programados com as estações de rádio mais populares da sua área e podem ser facilmente personalizados de acordo com as suas preferências: mudar para outras estações utilizando o Rádio Bang & Olufsen ou aceder a listas de reprodução através do Spotify Connect, Deezer Connect ou Tidal Connect.

Para guardar um favorito, comece a reproduzir rádio ou uma lista de reprodução no seu Beoconnect Core. Em seguida, mantenha premido o botão Favorito ao qual deseja atribuir o favorito no controlo remoto durante dois segundos. Um som de confirmação indicará que a sua seleção foi guardada. Na aplicação Bang & Olufsen, prima sem soltar o botão Favorito para guardar a estação de rádio ou lista de reprodução atualmente em reprodução nesse botão. Uma vez guardado, basta aceder ao seu favorito premindo rapidamente o botão.



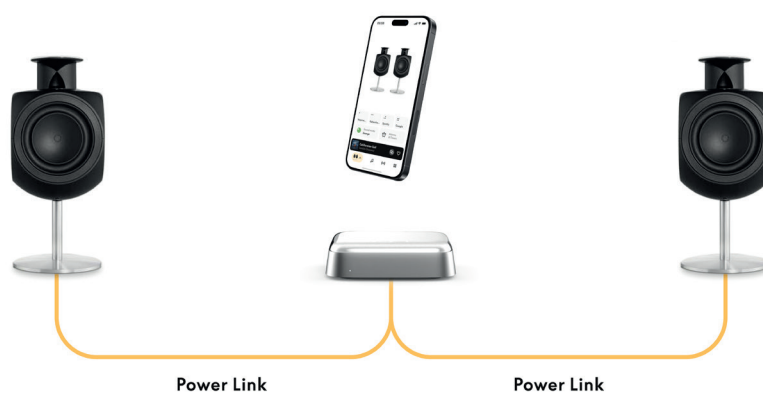
### LIGAR À COLUNA BEOLABS VIA POWERLINK

Ao usar a ligação Power Link estéreo, pode transformar as suas colunas Beolab em colunas de streaming atuais. O Beoconnect Core possui uma tomada de saída Power Link (RJ45) capaz de ligar quaisquer duas colunas Beolab a uma entrada Power Link. Existem duas maneiras de ligação via Power Link

- **Daisy-chain:** se as suas colunas tiverem duas tomadas Power Link, pode ligar a partir do Beoconnect Core à primeira coluna e, em seguida, da primeira coluna à segunda coluna.
- **Splitter:** Ligue um divisor Power Link ao Beoconnect Core e, em seguida, ligue ambas as colunas ao divisor.

Depois de ligar as suas colunas através do Power Link, ligue todos os dispositivos à corrente e continue a configurar na aplicação Bang & Olufsen. Depois de ligar o seu Beoconnect Core à rede, precisará de configurar as colunas ligadas e certificar-se de que as funções esquerda e direita estão corretamente definidas.

Contacte o seu revendedor Bang & Olufsen para obter o conjunto certo de cabos para as suas colunas e configuração preferida.

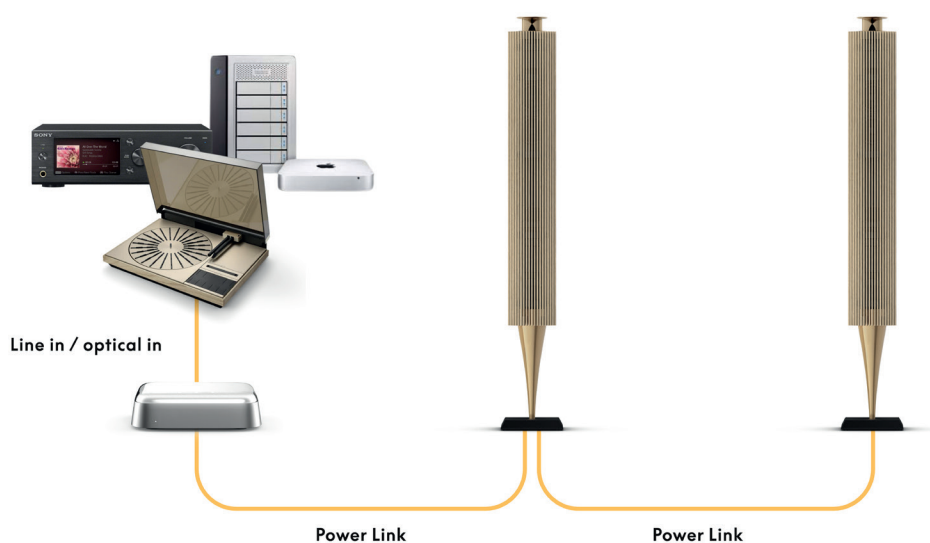




LIGAÇÃO A FONTES DE ÁUDIO EXTERNA

A ilustração acima mostra como pode adicionar colunas Beolab a uma fonte de música. A tomada de 3,5 mm no Beoconnect Core pode ser utilizada para ligar qualquer fonte de áudio analógica ou digital (óptica) de nível de linha para que seja reproduzida através das colunas ligadas. Contacte o seu revendedor Bang & Olufsen para obter o conjunto certo de cabos para ligar o seu dispositivo.

Observação: se pretender ligar a um gira-discos, é necessário um pré-amplificador RIAA integrado no gira-discos ou externamente entre o mesmo e o seu Beoconnect Core.



LIGAÇÃO A TELEVISÕES DE TERCEIROS

É possível ligar o Beoconnect Core à maioria das televisões não Bang & Olufsen, permitindo que o som dos seus programas preferidos seja reproduzido através de colunas ligadas.

Basta ligar o Beoconnect Core à sua TV utilizando um cabo HDMI, ligando uma extremidade à porta HDMI eARC no Beoconnect Core e outra à porta HDMI eARC/ARC na sua TV. Procure as portas identificadas na sua TV para localizar a certa.

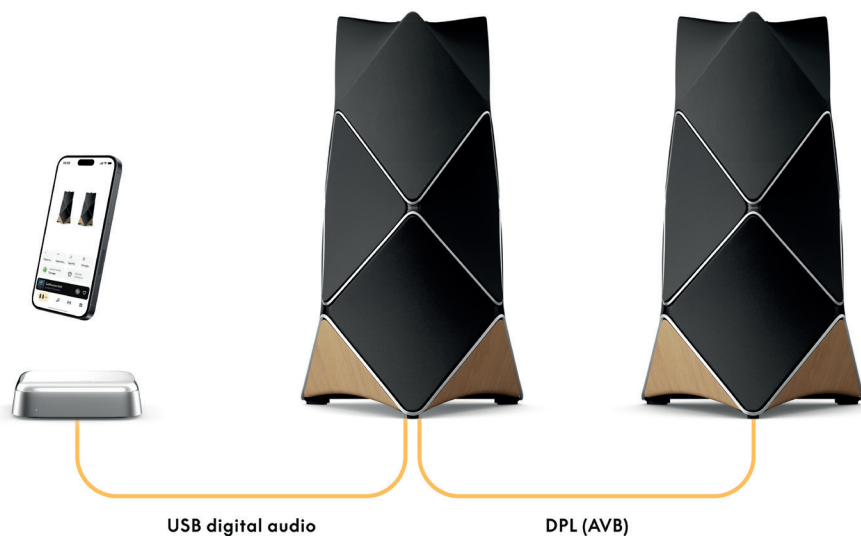
Uma vez ligado, o Beoconnect Core será sincronizado com a sua TV, ligando e entrando no modo de espera juntamente com a mesma. Pode ajustar o volume usando o comando da TV.

Observação: talvez seja necessário configurar a TV para enviar apenas som estéreo (PCM). O Beoconnect Core não é capaz de decodificar formatos de som surround, tais como Dolby Atmos, que são a predefinição nalgumas televisões.



LIGAÇÃO AO BEOLAB 50 OU 90

As colunas Beolab 50 e 90 podem ser ligadas à porta USB-C para criar uma cadeia de sinal totalmente digital da fonte à coluna. Utilize um cabo USB-C para USB-B 2.0 entre o Beoconnect Core e a coluna principal. Ligue as colunas primária e a secundária em conjunto usando as tomadas DPL (RJ45). Depois de ligar as colunas através de USB, ligue todos os dispositivos à corrente e continue a configurar na app Bang & Olufsen. Depois de ligar o Beoconnect Core à sua rede, verá uma opção para ativar o Beolab 50 ou 90 no ecrã de comando.



## LIGAÇÃO AO BEOSOUND SHAPE

Atualize o Beosound Shape com o Beoconnect Core para uma melhor qualidade de som e uma ligação digital direta aos amplificadores.

Nota:

É necessário um suporte ao instalar o Beoconnect Core numa configuração Beosound Shape.

Ligue um cabo RJ45 Cat7 a partir da tomada "COMM" no Beoconnect Core à tomada "COMM In" no amplificador Beosound Shape primário.

Ao substituir o Beosound Core numa configuração existente do Beosound Shape pelo Beoconnect Core, certifique-se de que desliga o Beosound Shape da corrente. De seguida, ligue todos os cabos entre o Beoconnect Core e o amplificador primário. De seguida, ligue o amplificador e o Beoconnect Core à corrente. Certifique-se de que liga primeiro o amplificador e depois o Beoconnect Core.

Nota:

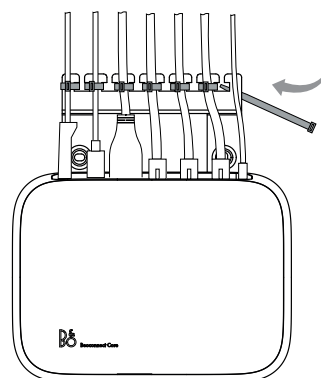
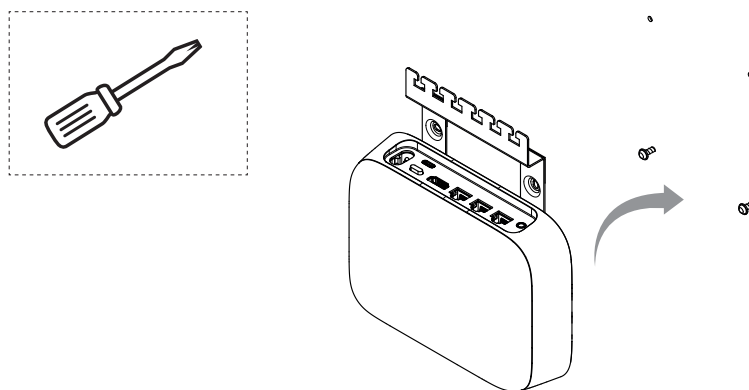
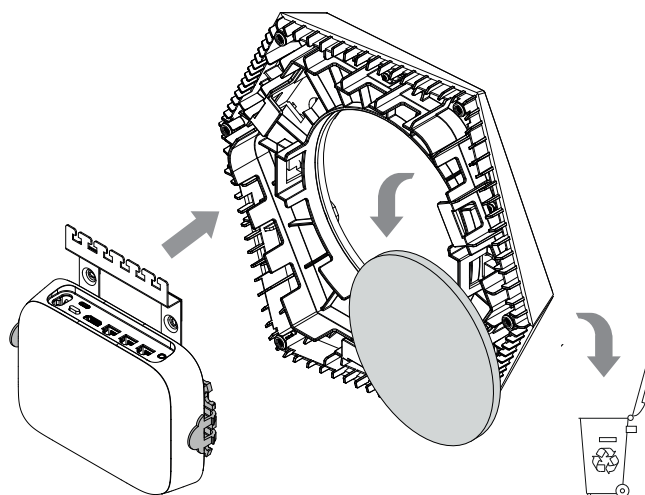
Depois de ligado, continue a configuração na app Bang & Olufsen. Certifique-se de ter o ID de design do seu modelo Beosound Shape exclusivo pronto, pois terá de o inserir na app para concluir a configuração.



SOLUÇÕES DE SUPORTE PARA PAREDE E BEOSOUND SHAPE

Para montar o Beoconnect Core dentro de um bloco Beosound Shape, é necessário o suporte Beoconnect Core. O mesmo suporte pode ser usado para montagem na parede do seu Beoconnect Core. Para obter mais instruções, consulte o guia incluído com o suporte Beoconnect Core.

O Beoconnect Core Bracket está disponível para compra num revendedor Bang & Olufsen e em [www.bang-olufsen.com](http://www.bang-olufsen.com).





## MULTIROOM

Reúna toda a casa num só sítio. O Beoconnect Core pode ser ligado a outras colunas num sistema multidivisão e permitir que várias colunas em toda a casa reproduzam o mesmo conteúdo em simultâneo. Pode desfrutar da funcionalidade multidivisão de várias formas diferentes:

### BeoLink Multiroom

BeoLink Multiroom é o próprio sistema multidivisão da Bang & Olufsen. Pode distribuir praticamente qualquer coisa\* em reprodução no Beoconnect Core a outras colunas e televisões Bang & Olufsen na mesma rede.

Para ouvir o que está a reproduzir no Beoconnect Core noutra coluna, prima sem soltar [reproduzir/pausar] essa coluna (durante dois segundos) para se juntar à experiência.

Para se juntar a uma experiência em curso no Beoconnect Core, utilize a função Join no comando Bang & Olufsen emparelhado, ou utilize a app Bang & Olufsen para ver que produtos estão a ser reproduzidos e adicionar mais à experiência em curso.

#### Nota:

Para utilizar o BeoLink Multiroom e o AirPlay em conjunto, abra a aplicação Bang & Olufsen e aceda às Definições do Produto -> BeoLink Multiroom -> Ativar o AirPlay.

#### Nota:

O BeoLink Multiroom não pode ser usado em conjunto com o Chromecast built-in, pois todas as experiências multidivisão devem ser configuradas usando as funcionalidades do Google, tais como grupos de colunas.

### Apple AirPlay

Para criar uma experiência multidivisão usando o AirPlay, selecione várias colunas no menu de saída de som no seu dispositivo Apple. O Beoconnect Core pode também reproduzir em conjunto com colunas de outras marcas que sejam compatíveis com o AirPlay.

### Chromecast built-in

Pode utilizar a app Google Home no seu smartphone para criar grupos de colunas e depois transmitir conteúdo para estas colunas através do Chromecast.

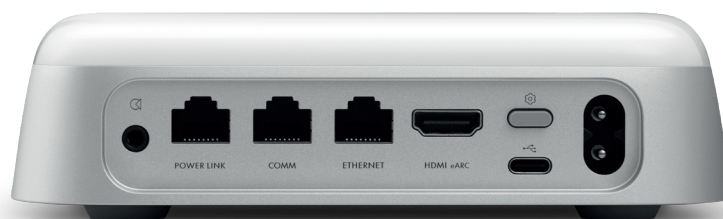
## Nice to know

### MODO DE CONFIGURAÇÃO DO WI-FI

Pode ligar o seu Beoconnect Core a uma nova rede sem fios ou redefinir a ligação premindo e mantendo premido o botão Configuração na parte de trás do Beoconnect Core durante 2 segundos. Irá ouvir um aviso sonoro e o indicador de estado começará a piscar a âmbar.

Nas definições do produto da aplicação Bang & Olufsen, selecione Reconfigurar para ligar a coluna ao Wi-Fi.

Para cancelar a configuração do Wi-Fi e ligar-se novamente à rede anterior, prima e mantenha premido o botão.



### REPOR AS CONFIGURAÇÕES DE ORIGEM

Pode repor as predefinições premindo e mantendo premido o botão de configuração na parte de trás do Beoconnect Core durante 8 segundos.

O seu Beoconnect Core iniciará o processo de redefinição e, após cerca de um minuto, o seu Beoconnect Core estará novamente pronto para a configuração inicial.

### UTILIZAÇÃO DIÁRIA

Use o seu dispositivo móvel para controlar o Beoconnect Core através da app Bang & Olufsen, ou ligue um comando Bang & Olufsen para as suas fontes de conteúdo ou serviços preferidos.

#### Bluetooth

Para emparelhar um novo dispositivo, prima brevemente o botão Configuração. Quando a luz começar a piscar a azul, aceda às definições do Bluetooth no seu dispositivo e selecione o Beoconnect Core. Uma vez ligado, estará pronto para a reprodução.

Se o dispositivo já tiver sido emparelhado, pode voltar a ligá-lo a partir das definições de Bluetooth no dispositivo sem ter de voltar a emparelhar.





INDICADOR LUMINOSO

O indicador de luz está localizado na parte frontal do Beoconnect Core e mostra o estado do produto:

I N D I C A Ç Ã O

E S T A D O

**Branco**

Fixo  
Intermitente  
Pulsar lentamente

Ligado à rede, pronto a utilizar  
A ligar  
Reprodução em pausa

**Blue**

Fixo (5 seg.)  
Pulsado

\*Ligado/Bluetooth emparelhado  
Aberto a emparelhamento Bluetooth

**Vermelho**

Sólido  
A piscar

Erro estático\*  
Erro transitório, por ex., sobreaquecimento

**Âmbar**

Fixo  
A piscar  
Pulsado

Sem ligação à rede, ligação perdida  
Pronto para configuração de rede  
A ligar à rede

**Green**

Pulsado

Atualização de software em curso - espere até que a luz passe novamente a branco fixo

\*Entre em contacto com o Atendimento ao cliente para obter assistência. Também pode fazê-lo através da secção Assistência na app Bang & Olufsen.





## Rozpocznij

### WPROWADZENIE

Beoconnect Core to znacznie więcej niż urządzenie do przesyłania strumieniowego: pozwala unowocześnić posiadane produkty Bang & Olufsen.

Niniejsza instrukcja zawiera informacje na temat codziennego korzystania z urządzenia Beoconnect Core i podłączonych produktów, a także szczegółowe opisy cech i funkcji.

Sprzedawca urządzeń Bang & Olufsen jest pierwszą osobą, do której należy się zwracać w przypadku jakichkolwiek pytań. Aby znaleźć najbliższy punkt sprzedaży, przejdź na stronę:

[stores.bang-olufsen.com/en/search](https://stores.bang-olufsen.com/en/search)



### POBIERANIE APLIKACJI BANG & OLUFSEN

Aby skonfigurować Beoconnect Core, pobierz aplikację Bang & Olufsen ze wskazanego sklepu z aplikacjami.

Dzięki tej aplikacji możesz skonfigurować produkt i uzyskać dostęp do wszystkich opcji oferowanych przez Bang & Olufsen. Korzystaj ze wszystkich możliwości produktu, takich jak personalizacja dźwięku, wsparcie produktowe, połączenie sieciowe, automatyczne aktualizacje oprogramowania oraz nowe funkcje na wyciągnięcie ręki.

Uwaga:

- Jeśli aplikacja nie może wykryć produktu, upewnij się, że Bluetooth i Wi-Fi są włączone na urządzeniu.
- Zezwól również aplikacji Bang & Olufsen na wyszukiwanie urządzeń w sieci lokalnej.
- Przejdź do pozycji „Ustawienia”, wybierz aplikację „Bang & Olufsen” i włącz pozycję „Bluetooth” oraz
- „Sieć lokalna” lub ustaw dla urządzenia uprawnienia do uzyskiwania dostępu do pobliskich urządzeń w zależności od systemu operacyjnego.



## O CZYM PAMIĘTAĆ PODCZAS KONFIGURACJI

Przed podłączeniem jakichkolwiek kabli lub urządzeń do Beoconnect Core upewnij się, że wszystko jest wyłączone i odłączone od zasilania. Przed podłączeniem jakichkolwiek kabli lub urządzeń do Beoconnect Core upewnij się, że wszystko jest wyłączone i odłączone od zasilania.

Użyj aplikacji Bang & Olufsen, aby podłączyć Beoconnect Core do internetu. Po podłączeniu Beoconnect Core wyszuka dostępne aktualizacje oprogramowania.

W aplikacji Bang & Olufsen można skonfigurować automatyczne aktualizacje oprogramowania. Uwaga: jedyny dołączony kabel to lokalny kabel zasilający.



## Ź R Ó D Ł A

Dzięki Beoconnect Core możesz przesyłać strumieniowo swoją ulubioną muzykę, korzystając z następujących źródeł:

**Radio Bang & Olufsen**

Użyj aplikacji Bang & Olufsen, aby wybrać stację i ustawić ulubione.

**Beolink, AirPlay i Chromecast**

Możliwości przesyłania strumieniowego z urządzenia i multiroom.

**Spotify, Tidal i Deezer Connect**

Przesyłanie strumieniowe przez chmurę i opcje ustawiania ulubionych.

**Bluetooth 5.3**

Do strumieniowego przesyłania dźwięku i podłączania Beore mote One BT lub Beore mote Halo.

**Wi-Fi**

IEEE802.11 b/a/g/n/ac/ax

**Wejście liniowe/optyczne**

Gniazdo combo 3,5 mm do analogowego lub cyfrowego podłączenia odtwarzaczy muzyki.

**Power Link**

Do podłączania do większości głośników Beolab.

**COMM**

Do podłączania do Beosound Shape.

**Ethernet**

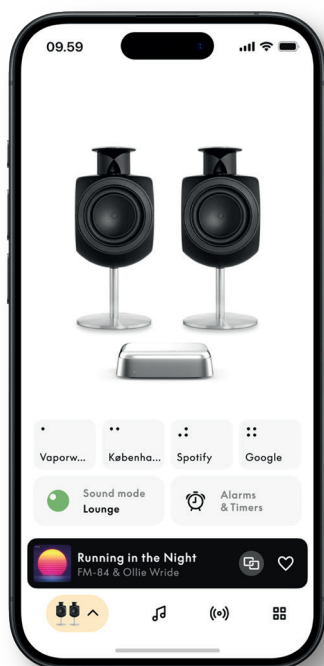
Połączenie kablowe z siecią domową.

**HDMI eARC**

Telewizory innych firm z ARC/eARC

**USB-C**

Do cyfrowego połączenia audio z głośnikiem Beolab 50/90 lub do podłączenia audio z komputera.



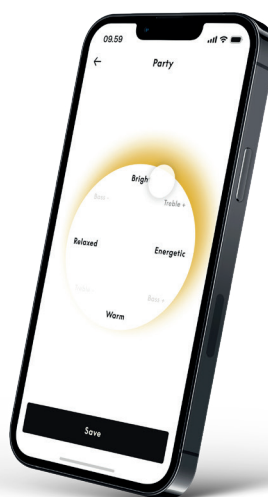
## DOSTOSOWYWANIE DŹWIĘKU W APLIKACJI BANG & OLUFSEN

Dostosuj dźwięk i w pełni wykorzystaj swoje głośniki oraz Beoconnect Core dzięki aplikacji Bang & Olufsen. Opcja Tryby dźwięku pozwala dostosować dźwięk do własnych upodobań. Beoconnect Core od samego początku zawiera optymalny tryb Sound Mode. Można jednak zapisać niestandardowe tryby dźwięku z Beosonic na później i aktywować je z listy.

Aby usunąć zapisany tryb dźwięku, dotknij go i przesun palcem w lewo w celu wyświetlenia przycisku usuwania. Aby edytować zapisany tryb dźwięku, naciśnij i przytrzymaj tryb dźwięku, który chcesz edytować.

### Beosonic

Zaawansowane algorytmy dźwięku cyfrowego opracowane przez nasz zespół ds. akustyki umożliwiają odkrywanie różnych przestrzeni audio przez proste przesuwanie okręgu.



### Tryby Beosound Shape

Beosound Shape pozwala wybrać jeden z trzech różnych sposobów słuchania. Wszystkie trzy tryby dźwięku remiksują lewy i prawy kanał do liczby głośników w faktycznej konfiguracji:

- **Band on the Wall:** Podczas korzystania z trybu dźwięku „Band on the Wall” lokalizacja głównego wokalu pozostaje w tej samej pozycji, a pozostałe części miks są rozłożone niezależnie od pozycji słuchacza.
- **Social:** Podczas korzystania z trybu dźwięku „Following sound stage” lokalizacja głównego wokalu pozostaje przed słuchaczem, a pozostałe części miks są rozłożone niezależnie od pozycji słuchacza.
- **Stereo:** Podczas korzystania z trybu dźwięku „Stereo” lokalizacja głównego wokalu pojawi się w bliższym, najbardziej zewnętrznym głośniku, podobnie jak w tradycyjnej konfiguracji stereo. W przeciwieństwie do tradycyjnej konfiguracji stereo, pozostałe głośniki będą wzmacniać scenę dźwiękową między głośnikami. Ten tryb dźwięku jest przeznaczony do użycia, gdy Beosound Shape jest częścią wielokanałowej konfiguracji surround, tj. jako głośnik tylny.

## ULUBIONE

Beoconnect Core obsługuje Ulubione za pośrednictwem aplikacji Bang & Olufsen lub sparowanego pilota z przyciskami Ulubione (MyButtons).

Na stronie produktu w aplikacji Bang & Olufsen przejdź do funkcji Radio, a następnie wyszukaj, aby wybrać stację. Dotknij ikony Więcej, aby przypisać ją do ulubionych.

Dla przycisków są wstępnie zaprogramowane najpopularniejsze stacje radiowe z danej okolicy i można je łatwo dostosować do swoich preferencji: przełącz się na inne stacje za pomocą funkcji Radio Bang & Olufsen lub uzyskaj dostęp do list odtwarzania poprzez Spotify Connect, Deezer Connect lub Tidal Connect.

Aby zapisać ulubione, zacznij odtwarzać radio lub listę odtwarzania w Beoconnect Core. Następnie naciśnij i przytrzymaj przez dwie sekundy na pilocie przycisk Ulubione, do którego chcesz przypisać ulubiony element. Dźwięk potwierdzenia wskaże, że wybór został zapisany. W aplikacji Bang & Olufsen naciśnij i przytrzymaj przycisk Ulubione, aby przypisać obecnie odtwarzaną stację radiową lub listę odtwarzania do tego przycisku. Po zapisaniu wystarczy krótko nacisnąć przycisk, aby uzyskać dostęp do ulubionych.



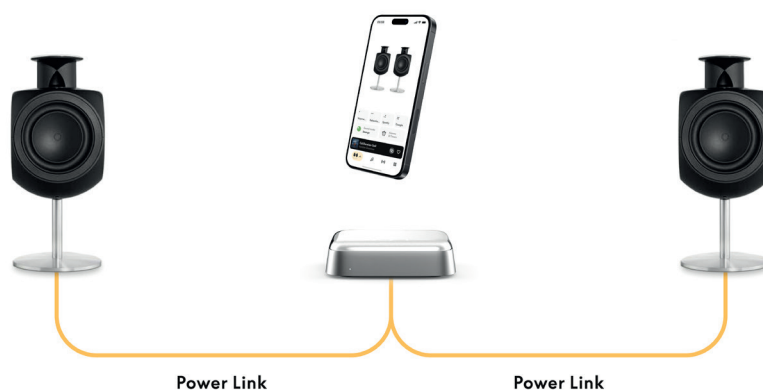
## PODŁĄCZANIE GŁOŚNIKÓW BEOLAB PRZEZ POWERLINK

Korzystając ze stereofonicznego połączenia Power Link, można przekształcić głośniki Beolab we współczesne głośniki przesyłania strumieniowego. Beoconnect Core ma jedno gniazdo wyjściowe Power Link (RJ45), które pozwala podłączyć dowolne dwa głośniki Beolab do wejścia Power Link. Za pomocą Power Link można łączyć na dwa sposoby

- **Kaskadowo:** jeśli głośniki mają dwa gniazda Power Link, można podłączyć Beoconnect Core do pierwszego głośnika, a następnie pierwszy głośnik do drugiego głośnika.
- **Rozdzielacz:** podłącz kabel rozdzielacza Power Link do Beoconnect Core, a następnie podłącz oba głośniki do rozdzielacza.

Po podłączeniu głośników przez Power Link podłącz wszystkie urządzenia do zasilania i kontynuuj konfigurację w aplikacji Bang & Olufsen. Po podłączeniu Beoconnect Core do sieci należy skonfigurować podłączone głośniki i upewnić się, że rola lewego i prawego kanału są ustawione poprawnie.

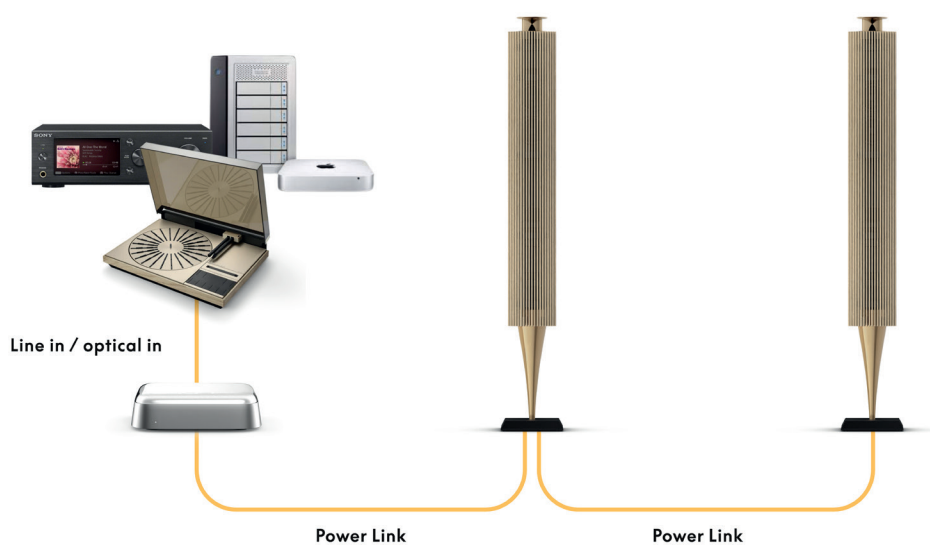
Skontaktuj się ze sprzedawcą Bang & Olufsen, aby uzyskać zestaw kabli odpowiedni do głośników i preferowanej konfiguracji.



#### PODŁĄCZANIE ZEWNĘTRZNYCH ŹRÓDEŁ DŹWIĘKU

Powyższa ilustracja przedstawia, jak można dodać głośniki Beolab do źródła muzyki. Gniazda 3,5 mm w Beoconnect Core można użyć do podłączenia dowolnego liniowego analogowego lub cyfrowego (optycznego) źródła dźwięku, aby je odtwarzać przez podłączone głośniki. Skontaktuj się ze sprzedawcą Bang & Olufsen, aby uzyskać odpowiedni zestaw kabli do podłączenia urządzenia.

Uwaga: jeśli chcesz podłączyć gramofon, wymagany jest przedwzmacniacz RIAA wbudowany w gramofon lub zewnętrzny między nim a urządzeniem Beoconnect Core.



PODŁĄCZANIE DO TELEWIZORA INNEJ FIRMY

Beoconnect Core można podłączać do większości telewizorów firm innych niż Bang & Olufsen, aby odtwarzać dźwięk ulubionych programów przez podłączone głośniki.

Wystarczy podłączyć Beoconnect Core do telewizora za pomocą kabla HDMI, podłączając jeden koniec do portu HDMI eARC w Beoconnect Core, a drugi do portu HDMI eARC/ARC w telewizorze. Przejrzyj oznaczone porty na telewizorze, aby znaleźć odpowiedni port.

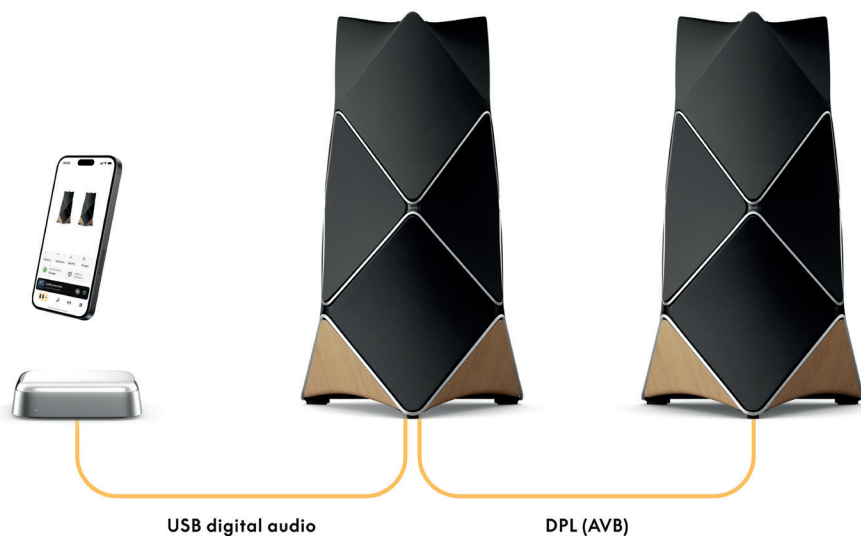
Po podłączeniu Beoconnect Core zsynchronizuje się z telewizorem i będzie wraz z nim włączać się oraz przechodzić w tryb czuwania. Głośność można regulować pilotem telewizora.

Uwaga: Może być konieczne takie skonfigurowanie telewizora, aby wysyłał tylko dźwięk stereo (PCM). Beoconnect Core nie może dekodować formatów dźwięku przestrzennego, takich jak Dolby Atmos, które są domyślne w niektórych telewizorach.



#### PODŁĄCZANIE DO BEOLAB 50 LUB 90

Głośniki Beolab 50 i 90 można podłączyć do portu USB-C, aby utworzyć w pełni cyfrowy łańcuch sygnałowy od źródła do głośnika. Użyj kabla USB-C na USB-B 2.0 między Beoconnect Core a głośnikiem głównym. Podłącz do siebie głośnik podstawowy i uzupełniający przez gniazda DPL (RJ45). Po podłączeniu głośników przez USB podłącz wszystkie urządzenia do zasilania i kontynuuj konfigurację w aplikacji Bang & Olufsen. Po podłączeniu Beoconnect Core do sieci na ekranie sterowania zobaczysz opcję włączenia głośników Beolab 50 lub 90.





#### PODŁĄCZANIE DO BEOSOUND SHAPE

Zmodernizuj Beosound Shape dzięki Beosound Core, aby poprawić jakość dźwięku i zapewnić bezpośrednie połączenie cyfrowe ze wzmacniaczami.

**Uwaga:**

W przypadku instalowania Beoconnect Core w konfiguracji Beosound Shape wymagany jest uchwyt.

Podłącz kabel RJ45 Cat7 z gniazda „COMM” na Beoconnect Core do gniazda „COMM In” na głównym wzmacniaczu Beosound Shape.

Gdy wymieniasz Beosound Core w istniejącej konfiguracji Beosound Shape na Beoconnect Core, upewnij się, że urządzenie Beosound Shape jest odłączone od zasilania. Wówczas podłącz wszystkie kable między Beoconnect Core i głównym wzmacniaczem. Następnie podłącz wzmacniacz i Beoconnect Core do zasilania. Pamiętaj, aby najpierw włączyć wzmacniacz, a potem Beoconnect Core.

**Uwaga:**

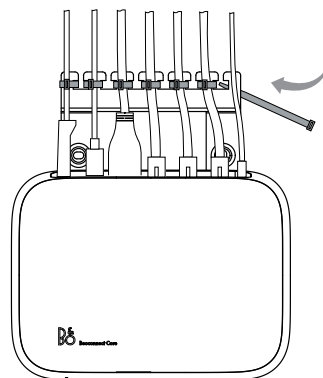
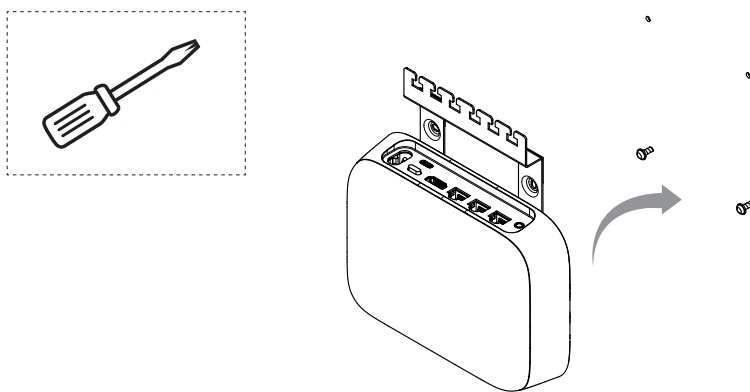
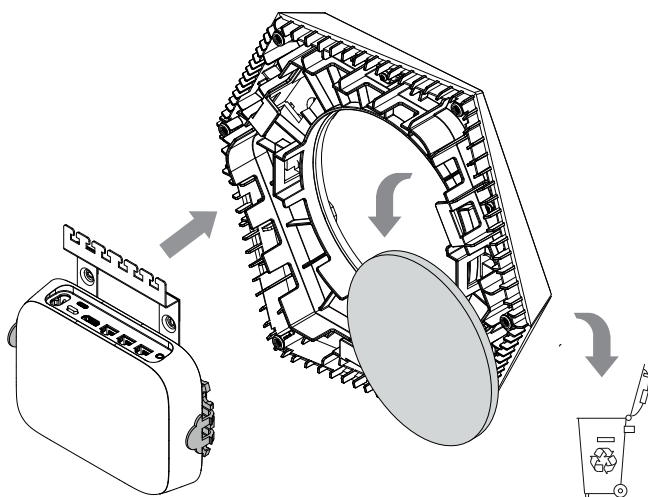
Po włączeniu kontynuuj konfigurację w aplikacji Bang & Olufsen. Przygotuj identyfikator unikatowego designu Beosound Shape, ponieważ należy go wprowadzić w aplikacji, aby sfinalizować konfigurację.



UCHWYTY I WSPORNIKI BEOSOUND SHAPE

Do montażu Beoconnect Core wewnątrz płytki Beosound Shape jest wymagany uchwyt Beoconnect Core. Tego samego uchwyty można użyć do montażu ściennego Beoconnect Core. Aby uzyskać dalsze instrukcje, zapoznaj się z przewodnikiem dołączonym do uchwyty Beoconnect Core.

Uchwyt Beoconnect Core jest dostępny w sprzedaży detalicznej Bang & Olufsen oraz na stronie [www.bang-olufsen.com](http://www.bang-olufsen.com).





## MULTIROOM

Zapewnij łączność w całym domu. Beoconnect Core może łączyć się z innymi głośnikami w systemie multiroom i umożliwiać odtwarzanie tej samej treści jednocześnie na wielu głośnikach w całym domu. Z multiroomu możesz korzystać na kilka różnych sposobów:

### Beolink Multiroom

Beolink Multiroom to autorski system multiroom firmy Bang & Olufsen. Może rozprowadzać prawie wszystkie treści\* odtwarzane na Beoconnect Core do innych głośników i telewizorów Bang & Olufsen w tej samej sieci.

Aby słuchać tego, co jest odtwarzane na Beoconnect Core, na innym głośniku, naciśnij i przytrzymaj przycisk [Odtwórz/Wstrzymaj] na tym głośniku (przez dwie sekundy) w celu dołączenia go do odtwarzania muzyki.

Aby dołączyć do trwającego odtwarzania muzyki na Beoconnect Core, użyj funkcji Join na sparowanym pilocie Bang & Olufsen lub użyj aplikacji Bang & Olufsen, aby zobaczyć, które produkty odtwarzają dźwięk, i dodać więcej do trwającego odtwarzania.

Uwaga:

Aby używać Beolink Multiroom i AirPlay razem, najpierw otwórz aplikację Bang & Olufsen i przejdź do pozycji Ustawienia produktu -> Beolink Multiroom -> Włącz AirPlay.

Uwaga:

Beolink Multiroom nie może być używany razem z wbudowanym Chromecastem, ponieważ wszystkie funkcje multiroom muszą być skonfigurowane przy użyciu własnych funkcji Google, takich jak grupy głośników.

### Apple AirPlay

Aby utworzyć odtwarzanie multiroom za pomocą AirPlay, wybierz wiele głośników z menu wyjścia dźwięku na urządzeniu Apple. Beoconnect Core może także odtwarzać dźwięk na głośnikach innych marek obsługujących AirPlay.

### Wbudowany Chromecast

Za pomocą aplikacji Google Home na smartfonie możesz utworzyć grupy głośników, a następnie przesyłać do tych głośników treści przez Chromecast.

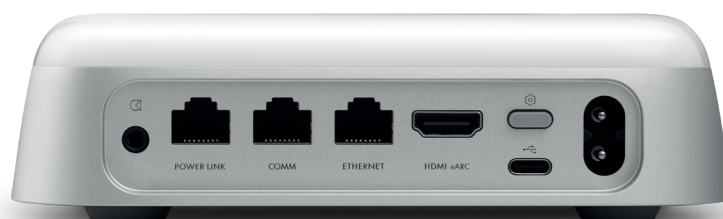
## Dobrze wiedzieć

### TRYB KONFIGURACJI WI-FI

Beoconnect Core można podłączyć do nowej sieci bezprzewodowej lub zresetować połączenie przez naciśnięcie i przytrzymanie przez 2 sekundy przycisku Setup z tyłu urządzenia Beoconnect Core. Usłyszysz monit dźwiękowy, a wskaźnik statusu zacznie migać na bursztynowo.

W ustawieniach produktu w aplikacji Bang & Olufsen wybierz opcję „Ponowna konfiguracja”, aby podłączyć głośnik do sieci Wi-Fi.

Aby anulować konfigurację Wi-Fi i połączyć się z poprzednią siecią, ponownie naciśnij i przytrzymaj przycisk.



### PRZYWRACANIE USTAWIENÍ FABRYCZNYCH

Ustawienia fabryczne można przywrócić, naciskając i przytrzymując jednocześnie przez 8 sekund przycisk „Setup” z tyłu urządzenia Beoconnect Core.

Urządzenie Beoconnect Core rozpocznie proces resetowania i po około minucie będzie ponownie gotowe do pierwszej konfiguracji.

### CODZIENNY UŻYTEK

Użyj urządzenia mobilnego, aby sterować Beoconnect Core przez aplikację Bang & Olufsen, albo połącz pilota Bang & Olufsen z preferowanymi źródłami treści lub usług.

#### Bluetooth

Aby sparować nowe urządzenie, naciśnij krótko przycisk Setup. Gdy dioda zacznie pulsować na niebiesko, przejdź do ustawień Bluetooth na swoim urządzeniu i wybierz Beoconnect Core. Po nawiązaniu połączenia można zacząć odtwarzać.

Jeśli urządzenie zostało już sparowane, można połączyć je ponownie w ustawieniach Bluetooth urządzenia bez konieczności ponownego parowania.





W S K A Ź N I K Ś W I E T L N Y

Wskaźnik świetlny znajduje się z przodu urządzenia Beoconnect Core i pokazuje status produktu:

W S K A Z Y W A N Y

S T A T U S

**Biały**

Stałe światło

Miga

Wolno pulsuje

Połączony z siecią, gotowy do użycia

Rozpoczynanie

Wstrzymano odtwarzanie

**Niebieski**

Stałe światło (5 s)

Pulsuje

\*Połączenie Bluetooth uruchomione/sparowane

Otwórz do parowania przez Bluetooth

**Czerwony**

Stałe światło

Miga

Błąd statyczny\*

Błąd przejściowy, np. przegrzanie

**Bursztynowy**

Stałe światło

Miga

Pulsuje

Brak połączenia sieciowego, utracono połączenie

Gotowy do konfiguracji sieci

Łączę się z siecią

**Zielony**

Pulsuje

Trwa aktualizacja oprogramowania — poczekaj, aż kontrolka ponownie zmieni kolor na biały

\*W celu uzyskania pomocy skontaktuj się z Działem Obsługi Klienta. Jest to również możliwe w sekcji Wsparcie w aplikacji Bang & Olufsen.



## さあ始めよう

### 概要

ストリーミングボックスよりもはるかに優れた性能を持つBeoconnect Coreは、Bang & Olufsen製品を未来に繋げます。

このガイドには、Beoconnect Coreおよびコネクテッド製品の日常的な使用方法に関する情報と、機能についての詳細な説明が記載されています。

修理等に関するお問い合わせは、まずBang & Olufsen販売店へお願いいたします。最寄りの販売店は以下で検索できます。

[stores.bang-olufsen.com/en/search](https://stores.bang-olufsen.com/en/search)



### BANG & OLUFSENアプリをダウンロード

Beoconnect Coreをセットアップするには、まずApp StoreからBang & Olufsenアプリをダウンロードします。

このアプリで製品のセットアップを行うと、Bang & Olufsenの全機能をご利用になれます。オーディオのパーソライゼーション、製品サポート、ネットワーク接続、ソフトウェアの自動更新、新機能など、すべての機能とエクスペリエンスをすぐにお楽しみいただけます。

ご注意:

- ・ アプリで製品が検出されない場合は、お使いのデバイスでBluetoothとWi-Fiがオンになっていることを確認してください。
- ・ また、Bang & Olufsenアプリに対し、ローカルネットワーク上のデバイス検索を許可してください。
- ・ 「設定」に移動し、「Bang & Olufsen」アプリを選択して「Bluetooth」を有効にします。
- ・ 「ローカルネットワーク」を選択してください。オペレーティングシステムの種類によっては、近くにあるデバイスへのアクセスを許可するためにデバイスの権限を設定する必要があります



## セットアップ時の注意事項

ケーブルやデバイスをBeoconnect Coreに接続する前に、すべてのスイッチがオフの状態の主電源から切り離されていることを確認してください。ケーブルやデバイスをBeoconnect Coreに接続する前に、すべてのスイッチがオフの状態の主電源から切り離されていることを確認してください。

Bang & Olufsenアプリを使い、Beoconnect Coreをインターネットに接続します。Beoconnect Coreの接続が完了すると、利用可能なソフトウェアアップデートの確認が行われます。

ソフトウェアの自動アップデートは、Bang & Olufsenアプリで設定可能です。注：ローカライズされた電源ケーブルのみが付属品として含まれます。



## ソース

Beoconnect Coreを使用すると、以下の配信ソースからお好みの音楽をストリーミングできます。

### Bang & Olufsen ラジオ

Bang & Olufsenアプリでステーションを選択し、お気に入りの設定可能。

**Beolink, AirPlay, Chromecast** デバイスからストリーミング。マルチルーム機能。

**Spotify, Tidal, Deezer Connect** クラウド経由のストリーミング。お気に入りの設定可能。

### Bluetooth 5.3

オーディオストリーミング。Beoremote One BTまたはBeoremote Haloに接続。

### Wi-Fi

IEEE802.11 b/a/g/n/ac/ax

### Line in / Optical (ラインイン / オプティカル)

音楽プレーヤーへのアナログまたはデジタル接続用の3.5 mmコンボ ジャック

### Power Link

Beolabスピーカーへの接続用 (例外あり)

### COMM

Beosound Shapeへの接続用

### イーサネット

ホームネットワークへのケーブル接続

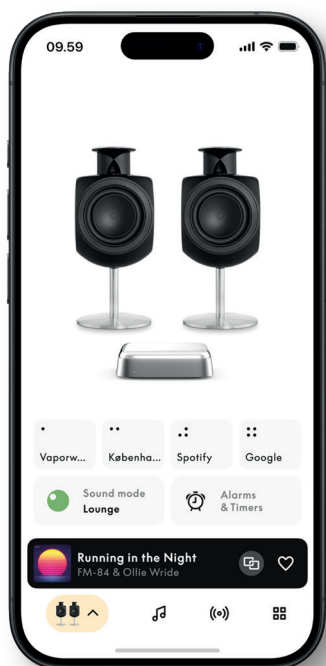
### HDMI eARC

ARC/eARCを搭載したサードパーティ製テレビ

### USB-C

Beolab 50/90へのデジタル オーディオ接続、またはコンピューターからのオーディオ接続用。





## BANG & OLUFSEN アプリでサウンドをカスタマイズ

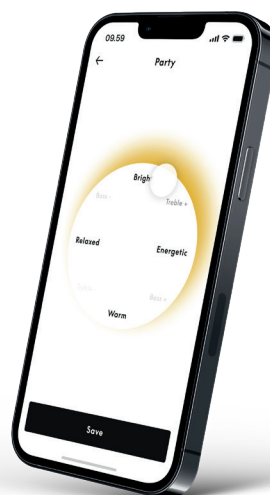
**Bang & Olufsen** アプリを使えば、サウンドを調整し、お使いのスピーカーとBeoconnect Coreを最大限に活用できます。サウンドモードでは、お好みに合わせてサウンドを厳選できます。

**Beoconnect Core**には、最初から最適なサウンドモードが含まれています。カスタマイズされたサウンドモードをBeosonicから保存し、後でリストからアクティブにすることもできます。

保存したサウンドモードを削除するには、タップして左にスワイプすると表示される削除ボタンを押します。保存されたサウンドモードを編集するには、目的のサウンドモードを長押しします。

### Beosonic

当社の音響チームが開発した高度なデジタルサウンドアルゴリズムにより、円を動かすだけでさまざまなオーディオ空間を探索できます。



## BEOSOUND SHAPEモード

**Beosound Shape**では、3種類のリスニングモードから選択できます。3種類のサウンドモードのどれを選んでも、実際に設置されたスピーカーの数に合わせて左右のチャンネルがリミックスされます。

- **Band on the Wall:**「Band on the Wall」のサウンドモードを使用すると、リードボーカルはそのまま同じ位置に残り、ミックスの残りの部分はリスナーの位置に関係なく周囲に配置されます。
- **Social:**「Following sound stage」サウンドモードを使用すると、リードボーカルの位置はリスナーの正面に留まり、ミックスの残りの部分はリスナーの位置に関係なく周囲に配置されます。
- **Stereo:**「Stereo」サウンドモードを使用すると、リードボーカルの位置は従来のステレオ設定のように一番外側のスピーカーに配置されます。従来のステレオ設定とは対照的に、残りのスピーカーはスピーカー間のサウンドステージを強調します。このサウンドモードでは、マルチチャンネルサラウンド設定の一部、つまりリアスピーカーとしてBeosound Shapeを使用することが想定されています。



## お気に入り

Beoconnect Coreでは、Bang & Olufsenアプリ、または「お気に入り」ボタン (MyButton) のあるペアリング済みのリモコン経由で「お気に入り」をサポートします。

Bang & Olufsen アプリの製品ページで、[ラジオ] > [検索] の順に進み、ラジオ局を選択します。[その他] アイコンをタップして、お気に入りに割り当てます。

これらのボタンには、お住まいのエリアで人気のあるラジオ局が事前登録されており、簡単に基本設定をカスタマイズできます。例えば、Bang & Olufsenラジオを使って他のラジオ局に切り替えたり、Spotify Connect、Deezer Connect、Tidal Connectを使ってプレイリストにアクセスしたりできます。

お気に入りを保存するには、まずBeoconnect Coreでラジオまたはプレイリストの再生を開始します。次に、リモコンにお気に入りを登録する「お気に入り」ボタンを2秒間長押しします。選択した内容が保存されたことを示す確認音が鳴ります。Bang & Olufsenアプリで「お気に入り」ボタンを長押しすると、再生中のラジオ局またはプレイリストがそのボタンに保存されます。保存が完了すると、ボタンを軽く押すだけでお気に入りにアクセスできます。



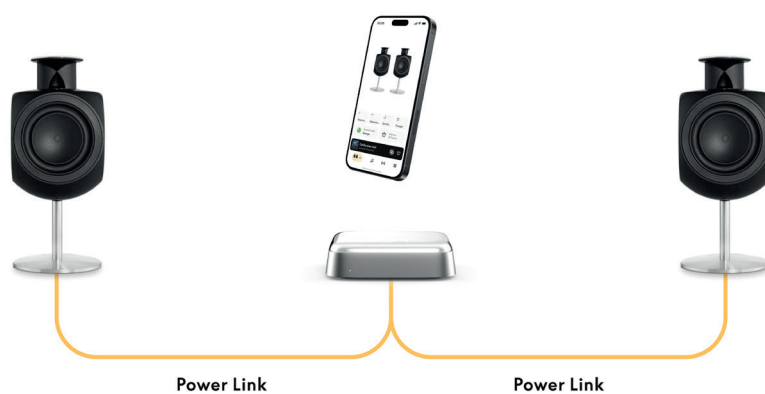
## BEOLABSPEAKERSにパワーリンクで接続

ステレオPower Link接続を使用すると、Beolabスピーカーをストリーミング用スピーカーに変えることができます。Beoconnect CoreにはPower Link (RJ45) 出力端子が1つあり、Power Link入力で任意の2つのBeolabラウドスピーカーを接続できます。Power Link経由で接続する方法は次のように2通りあります。

- Daisy-chain: スピーカーにPower Link端子が2つある場合は、Beoconnect Coreから1つ目のスピーカーに接続し、そのスピーカーから2つ目のスピーカーに接続することができます。
- Splitter: Power LinkのスプリッターケーブルをBeoconnect Coreに接続し、両方のスピーカーをスプリッターケーブルに接続します。

Power Link経由でスピーカーを接続し終わったら、すべてのデバイスを主電源に接続してBang & Olufsenアプリでセットアップを続行します。Beoconnect Coreがネットワークに接続されたら、接続されたスピーカーの設定を行い、左右の役割が正しく設定されていることを確認する必要があります。

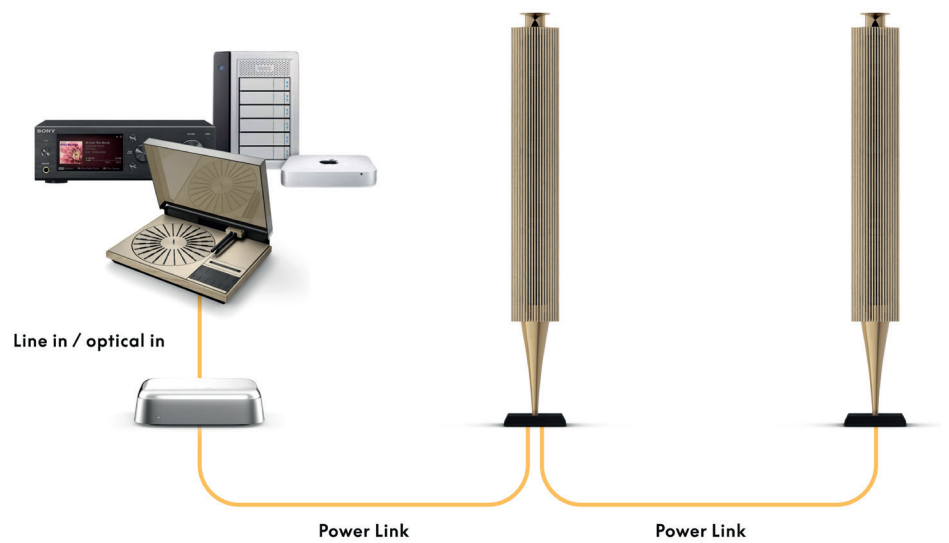
お持ちのスピーカーとご希望のセットアップに適したケーブルの種類については、Bang & Olufsenの販売店までお問い合わせください。



外部の音源ソースに接続する

上の図は、Beolabスピーカーを音源ソースに追加する方法を示したものです。Beoconnect Coreの3.5 mmジャックを使用すると、ラインレベルのアナログまたはデジタル(オプティカル)音源ソースを接続して、コネクテッドスピーカーから音源を再生できます。Bang & Olufsenの販売店にお問い合わせの上、お持ちのデバイスの接続に適したケーブルセットをご購入ください。

注：ターンテーブルを接続する場合は、ターンテーブルに内蔵されているかターンテーブルとBeoconnect Coreの間に外部接続されたRIAAプリアンプが必要になります。



### ードパーティのテレビに接続する

Beoconnect Coreは、Bang & Olufsen製以外のテレビの多くに接続できるため、コネクテッドスピーカーからお好きな番組のサウンドを再生できます。

HDMIケーブルを使用してBeoconnect Coreをテレビに接続するには、HDMIケーブルの一方の端をBeoconnect CoreのHDMI eARCポートに、もう一方の端をテレビのHDMI eARC/ARCポートに差し込むだけです。テレビに備えられたラベル付きのポートを探し、適切なポートの位置を確認します。

接続すると、Beoconnect Coreがテレビに同期され、テレビの電源がオンになると同時にスタンバイモードに入ります。音量はテレビのリモコンを使って調整できます。

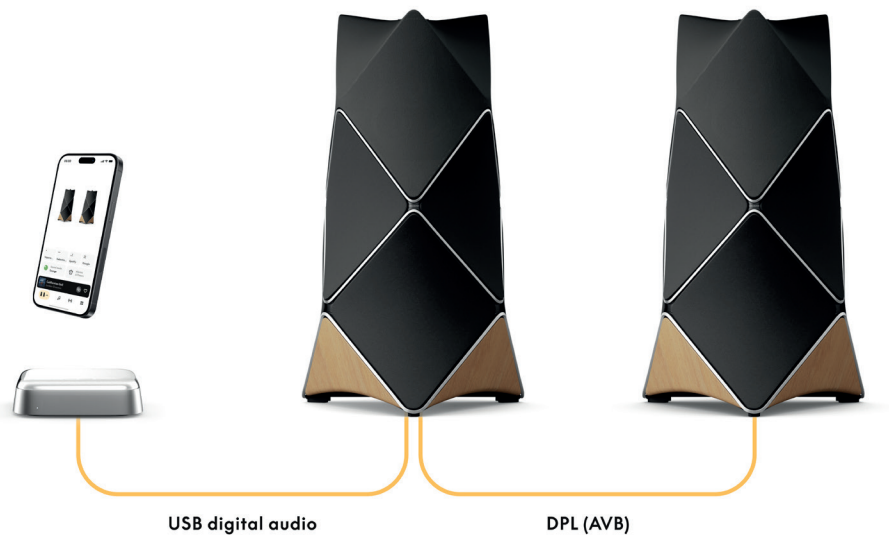
注：ステレオサウンド (PCM) のみを送信するようにテレビを設定する必要がある場合があります。Beoconnect Coreは、一部のテレビのデフォルト設定となっているDolby Atmos (ドルビーアトモス) などのサラウンド形式のサウンドをデコードできません。



## BEOLAB 50/90に接続する

Beolab 50/90ラウドスピーカーをUSB-Cポートに接続することにより、ソースからスピーカーへの完全なデジタル信号チェーンを作成できます。Beoconnect Coreとプライマリスピーカーの接続にはUSB-C to USB-B 2.0ケーブルを使用します。DPL (RJ45) 端子を介して

プライマリスピーカーとセカンダリスピーカーを接続します。USB経由でそれぞれのスピーカーを接続したら、すべてのデバイスを主電源に接続し、Bang & Olufsenアプリでセットアップを続行します。Beoconnect Coreをネットワークに接続すると、コントロール画面にBeolab 50/90を有効にするオプションが表示されます。



## BEOSOUND SHAPEに接続する

Beoconnect CoreでBeosound Shapeにアップグレードすると、音質を改善できるだけでなくアンプへの直接デジタル接続も実現できます。

ご注意:

Beoconnect Coreを Beosound Shapeセットアップにインストールする場合は、ブラケットが必要です。

RJ45 Cat7ケーブルを、Beoconnect Coreの「COMM」端子からBeosound Shape用のプライマリアンプの「COMM In」端子に接続します。

既存のBeosound Shape設定に含まれているBeosound CoreをこのBeoconnect Coreに変える場合は、必ずBeosound Shapeを主電源から切断してください。次に、Beoconnect Coreとプライマリアンプの間のケーブルをすべて接続します。その後、アンプとBeoconnect Coreの両方を主電源に接続します。必ず最初にアンプのスイッチをオンにしてから、Beoconnect Coreのスイッチを入れてください。

ご注意:

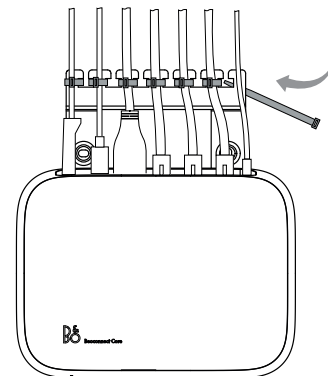
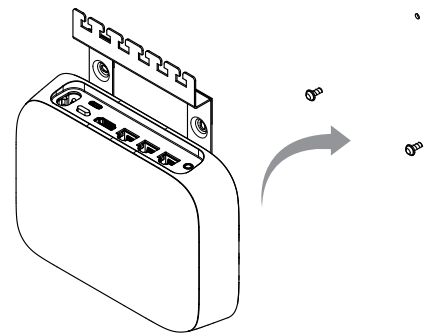
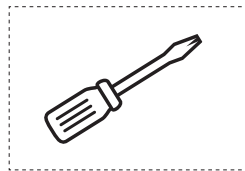
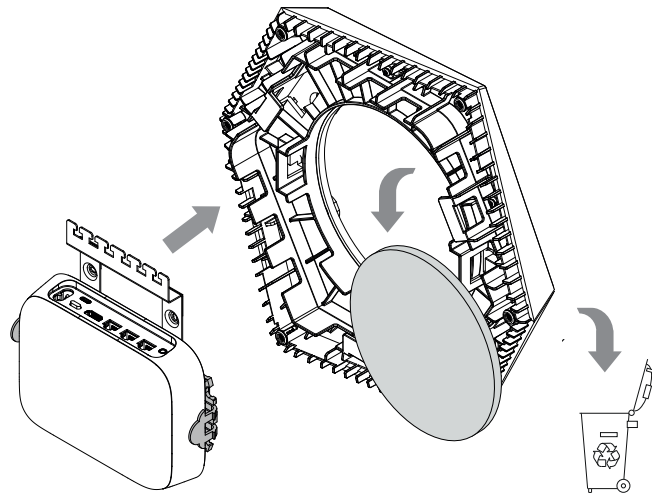
スイッチを入れたら、Bang & Olufsenアプリでセットアップを続行します。セットアップを完了するにはアプリにデザインIDを入力する必要があるため、ご自分のBeosound Shapeデザインに対応するデザインIDを必ずご準備ください。



壁に設置するためのBEOSOUND SHAPE BRACKETソリューション

Beoconnect CoreをBeosound Shapeタイル内に取り付けるには、Beoconnect Core Bracketが必要となります。Beoconnect Coreを壁に取り付ける場合にも、同じブラケットを使用できます。詳細な手順については、Beoconnect Core Bracketの付属ガイドを参照してください。

Beoconnect Core用ブラケットは、Bang & Olufsenの販売店および [www.bang-olufsen.com](http://www.bang-olufsen.com) で購入できます。





## MULTIROOM

ご自宅全体のサウンドを統一: Beosound A5をマルチルーム システムで他のスピーカーに接続すると、ご自宅のあらゆる場所に設置した複数のスピーカーから同じコンテンツを同時に再生できます。マルチルーム システムを楽しむ方法はいくつかあります。

### BeoLink Multiroom

BeoLink Multiroomは、Bang & Olufsen独自のマルチルームシステムです。Beoconnect Coreで再生されている音源はほぼどのようなものでも\*、同じネットワーク上にある他のBang & Olufsenスピーカーやテレビに配信することができます。

Beoconnect Coreで再生されている音源を別のスピーカーで聴くには、そのスピーカーの [再生/一時停止] ボタンを2秒間押し続けます。

Beoconnect Coreで再生中の音源を聴くには、ペアリングされたBang & OlufsenリモコンのJoin機能を使用するか、Bang & Olufsenアプリで再生中の製品を確認し、再生中の音源にさらに製品を追加します。

ご注意:

注: BeoLink MultiroomとAirPlayを併せて使用するには、まずBang & Olufsenアプリを開き、[製品設定] -> [BeoLink Multiroom] -> [AirPlay を有効にする] の順に移動します。

ご注意:

すべてのマルチルームエクスペリエンスは、スピーカーグループなどGoogle独自の機能を使用して設定する必要があるため、BeoLink MultiroomをChromecast built-inと一緒に使用することはできません。

### Apple AirPlay

AirPlayでマルチルーム体験を作成するには、Appleデバイスのサウンド出力メニューから複数のスピーカーを選択します。Beoconnect Coreは、AirPlayをサポートする他のブランドのスピーカーと一緒に音源を再生することもできます。

### Chromecast built-in

スマートフォン上でGoogle Homeアプリを使用してスピーカーグループを作成し、Chromecast経由でこれらのスピーカーにコンテンツをキャストできます。



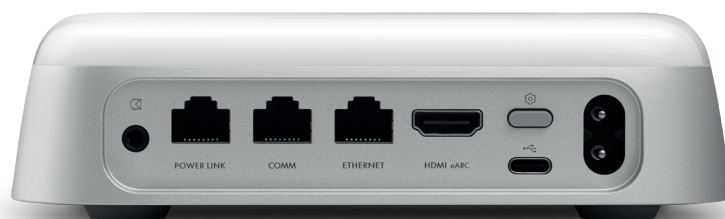
## さまざまな操作

### WI-FIセットアップモード

Beoconnect Coreの背面にある「セットアップ」ボタンを2秒間押し続けると、Beoconnect Coreを新しいワイヤレスネットワークに接続したり、接続をリセットしたりできます。通知音が鳴り、ステータスインジケーターがオレンジ色に点滅します。

Bang & Olufsen アプリの製品設定で、[再セットアップ] を選択してスピーカーを Wi-Fi に接続します。

Wi-Fiセットアップをキャンセルして以前のネットワークに接続し直すには、同じボタンをもう一度長押しします。



### 工場出荷設定にリセット

Beoconnect Coreの背面にある「セットアップ」ボタンを8秒間押し続けると、工場出荷時の設定を復元できます。

Beoconnect Coreはリセットプロセスを開始し、約1分後にBeoconnect Coreの初期セットアップを再び行う準備が整います。

### 基本的な操作

Bang & Olufsenアプリを使ってモバイルデバイス上でBeoconnect Coreを制御したり、Bang & Olufsenリモコンを接続してお好みのコンテンツソースやサービスを使用したりできます。

#### Bluetooth

新しいデバイスをペアリングするには、「セットアップ」ボタンを短く押します。ライトが青く点滅し始めたら、デバイスのBluetooth設定に移動してBeoconnect Coreを選択してください。接続が完了すると音源を再生できます。

デバイスがすでにペアリングされている場合は、再度ペアリング作業を行わなくてもデバイスのBluetooth設定から再接続できます。





## ライトインジケータ

Beoconnect Coreの前面にあるライトインジケータは、製品のステータスを示します。

### インジケータによるステータス表示

#### White

点灯:	ネットワーク接続、使用可能
点滅:	起動中
ゆっくり点滅:	再生の一時停止中

#### Blue

点灯 (5 秒):	*接続済み / Bluetooth ペアリング済み
点滅: Bluetoothのペアリング可	

#### RED

点灯:	静止エラー*
点滅: 一時的エラー (例: 過熱など)	

#### 黄色

点灯:	ネットワークが見つからない、接続に失敗
点滅:	ネットワーク セットアップの準備完了
点滅:	ネットワークに接続中

#### 緑

点滅:	ソフトウェアの更新中 - ライトが白に点灯すると完了
-----	----------------------------

\*サポートが必要な場合は、カスタマーケアまでお問い合わせください。  
Bang & Olufsenアプリのサポート セクションからサポートを要請することもできます。

## 새로운 시작

### 소개

Beoconnect Core는 단순한 스트리밍 상자가 아닙니다. Beoconnect Core는 Bang & Olufsen 제품을 미래로 안내합니다.

이 안내서에는 Beoconnect Core와 여기에 연결해 사용할 수 있는 제품의 일상적인 사용에 관한 정보와 제품의 특징과 기능에 관한 자세한 정보가 설명되어 있습니다.

서비스에 관련된 모든 질문은 가까운 Bang & Olufsen 매장에 문의하실 수 있습니다. 가까운 매장은 다음 주소로 이동해 확인할 수 있습니다.

[stores.bang-olufsen.com/en/search](https://stores.bang-olufsen.com/en/search)



### BANG & OLUFSEN 앱 다운로드

Beoconnect Core를 설정하려면 먼저 App Store에서 Bang & Olufsen 앱을 다운로드합니다.

이 앱은 제품을 설정하고, Bang & Olufsen의 모든 것을 경험할 수 있는 공간입니다. 오디오 개인화, 제품 지원, 네트워크 연결, 자동 소프트웨어 업데이트, 새로운 기능 등의 모든 경험을 간편하게 체험하세요.

#### 참고:

- 앱이 제품을 감지하지 못할 경우 장치에서 Bluetooth와 Wi-Fi가 활성화되어 있는지 다시 한번 확인하세요.
- 또한, Bang & Olufsen 앱이 로컬 네트워크에서 장치를 검색할 수 있도록 허용했는지 확인하세요.
- '설정'으로 이동해 'Bang & Olufsen' 앱을 선택하고 'Bluetooth'를 활성화하세요.
- 그다음 운영 체제에 따라 '로컬 네트워크' 또는 장치가 주변 장치에 액세스할 수 있는 권한을 설정하세요.

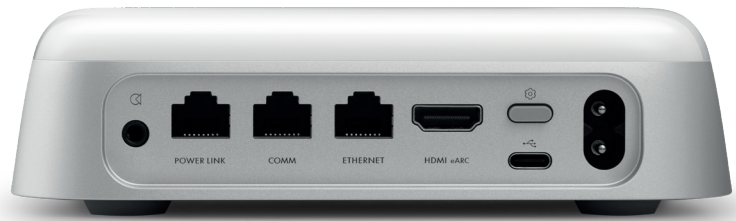


설정 시 유의할 점

케이블이나 장치를 Beoconnect Core에 연결하기 전에 모든 전원이 꺼져 있고 주전원에서 분리되어 있는지 확인하세요. 케이블이나 장치를 Beoconnect Core에 연결하기 전에 모든 전원이 꺼져 있고 주전원에서 분리되어 있는지 확인하세요.

Bang & Olufsen 앱을 사용해 Beoconnect Core를 인터넷에 연결하세요. Beoconnect Core가 연결되면 앱이 사용 가능한 소프트웨어 업데이트가 있는지 검색합니다.

자동 소프트웨어 업데이트는 Bang & Olufsen 앱에서 구성할 수 있습니다. 참고: 제품에는 현지에 맞는 전원 케이블만 동봉되어 있습니다.



소스

Beoconnect Core를 사용하면 다음 소스를 사용해 좋아하는 음악을 스트리밍할 수 있습니다.

Bang & Olufsen 라디오

Bang & Olufsen 앱을 사용해 스테이션을 선택하고 즐겨찾기로 설정.

Beolink, AirPlay, Chromecast 장치를 통해 스트리밍하고 Multiroom 기능 사용.

Spotify, Tidal, Deezer Connect 클라우드를 통해 스트리밍하고 즐겨찾기 설정 가능.

Bluetooth 5.3

오디오 스트리밍 및 Beoremove One BT 또는 Beoremove Halo 연결.

Wi-Fi

IEEE802.11 b/a/g/n/ac/ax

Line/Optical-In

3.5mm 콤보 잭을 사용해 음악 플레이어에 아날로그 또는 디지털로 연결할 때 사용.

Power Link

대부분의 Beolab 스피커에 연결할 때 사용.

COMMA

Beosound Shape에 연결할 때 사용.

이더넷

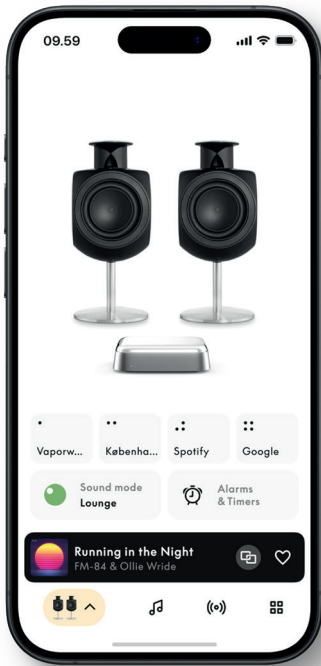
홈 네트워크에 케이블로 연결할 때 사용.

HDMI eARC

ARC/eARC를 지원하는 타사 TV를 연결할 때 사용.

USB-C

Beolab 50/90에 디지털로 오디오를 연결하거나 컴퓨터에서 오디오를 연결할 때 사용.



### BANG & OLUFSEN 앱에서 나만의 사운드 설정

Bang & Olufsen 앱을 사용해 사운드를 조정하고 스피커와 Beoconnect Core 활용도를 극대화하세요. 사운드 모드를 사용해 사운드를 취향대로 조정할 수 있습니다.

Beoconnect Core에는 처음부터 최적의 사운드 모드가 포함되어 있습니다. 하지만 Beosonic에서 사용자 지정 사운드 모드를 저장해 나중에 목록에서 활성화할 수 있습니다.

저장된 사운드 모드를 삭제하려는 경우, 해당 모드를 눌러 왼쪽으로 밀면 삭제 버튼이 표시됩니다. 저장된 사운드 모드를 편집하려는 경우, 편집하려는 사운드 모드를 길게 누릅니다.

### Beosonic

Beosound은 Bang & Olufsen 음향팀이 개발한 고급 디지털 사운드 알고리즘으로, 원을 움직여 다양한 오디오 공간을 탐색할 수 있습니다.



### Beosound Shape 모드

Beosound Shape을 사용할 경우 3가지 청취 방법 중 하나를 선택할 수 있습니다. 3가지 사운드 모드 모두 좌우 채널을 실제 설정의 스피커 수에 맞게 리믹스할 수 있습니다.

- Band on the Wall: 'Band on the Wall' 사운드 모드를 사용하면 리드 보컬의 위치는 계속 같은 위치에 유지되고 나머지 부분은 듣는 사람의 위치에 상관없이 분산됩니다.

- 사운드 스테이지 따라가기: '사운드 스테이지 따라가기' 사운드 모드를 사용하면 리드 보컬의 위치는 듣는 사람 앞에 유지되고, 나머지 부분은 듣는 사람의 위치에 상관없이 분산됩니다.

- 스테레오: '스테레오' 사운드 모드를 사용하면 기존 스테레오 설정에서와 같이 리드 보컬의 위치가 더 가까운 바깥쪽 스피커에서 출력됩니다. 기존 스테레오 설정과 다른 점은 나머지 스피커가 스피커 사이의 사운드 스테이지를 향상시킨다는 점입니다. 이 사운드 모드는 Beosound Shape이 후면 스피커 등 멀티채널 서라운드 설정의 일부인 경우에 사용하도록 고안되었습니다.

### 즐거찾기

Beoconnect Core는 Bang & Olufsen 앱 또는 즐거찾기(MyButton) 버튼이 있는 리모컨을 통해 즐거찾기 기능을 지원합니다.

Bang & Olufsen 앱 제품 페이지에서 라디오 > 검색으로 이동해 원하는 방송을 선택합니다. 더보기 아이콘을 탭해 방송을 즐거찾기로 지정합니다.

버튼은 사용자가 위치한 지역에서 가장 인기 있는 라디오 스테이션으로 사전 프로그래밍되어 있고, 취향에 맞게 간편하게 맞춤 지정할 수 있습니다. Bang & Olufsen 라디오를 사용해 다른 스테이션으로 전환하거나 Spotify Connect, Deezer Connect, Tidal Connect를 통해 재생 목록에 액세스할 수 있습니다.

즐거찾기를 저장하려면 먼저 Beoconnect Core에서 라디오나 재생 목록 재생을 시작합니다. 그다음, 리모컨에서 즐거찾기를 할당할 즐거찾기 버튼을 2초간 누르세요. 그러면 선택 사항이 저장되었음을 알리는 확인음이 울립니다. Bang & Olufsen 앱에서는 즐거찾기 버튼을 길게 눌러 현재 재생 중인 라디오 스테이션이나 재생 목록을 버튼에 저장할 수 있습니다. 저장한 후에는 버튼을 짧게 눌러 즐거찾기에 액세스할 수 있습니다.



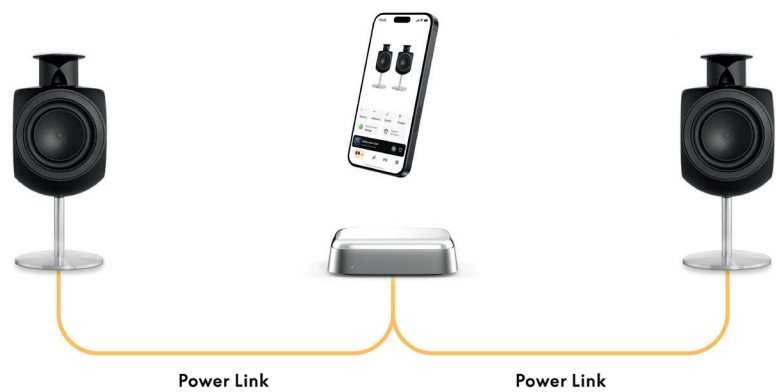
POWER LINK를 통해 BEOLAB 스피커에 연결

스테레오 Power Link 연결을 사용하면 Beolab 스피커를 최신 스트리밍 스피커로 변환할 수 있습니다. Beoconnect Core에는 Power Link 입력이 있는 2대의 Beolab 라우드스피커를 연결할 수 있는 Power Link(RJ45) 출력 소켓이 하나 있습니다. Power Link를 통해 연결하는 방법은 2가지입니다.

- 데이지 체인: 스피커에 2개의 Power Link 소켓이 있는 경우 Beoconnect Core를 첫 번째 스피커로 연결한 후 첫 번째 스피커를 두 번째 스피커로 연결할 수 있습니다.
- 스플리터: Power Link 스플리터 케이블을 Beoconnect Core에 연결한 후 양쪽 스피커를 스플리터에 연결합니다.

Power Link를 통해 스피커를 연결한 후에는 모든 장치를 전원에 연결하고 Bang & Olufsen 앱에서 설정을 계속합니다. Beoconnect Core가 네트워크에 연결되었다면 연결된 스피커를 구성하고 왼쪽과 오른쪽의 역할이 올바르게 설정되었는지 확인하도록 하세요.

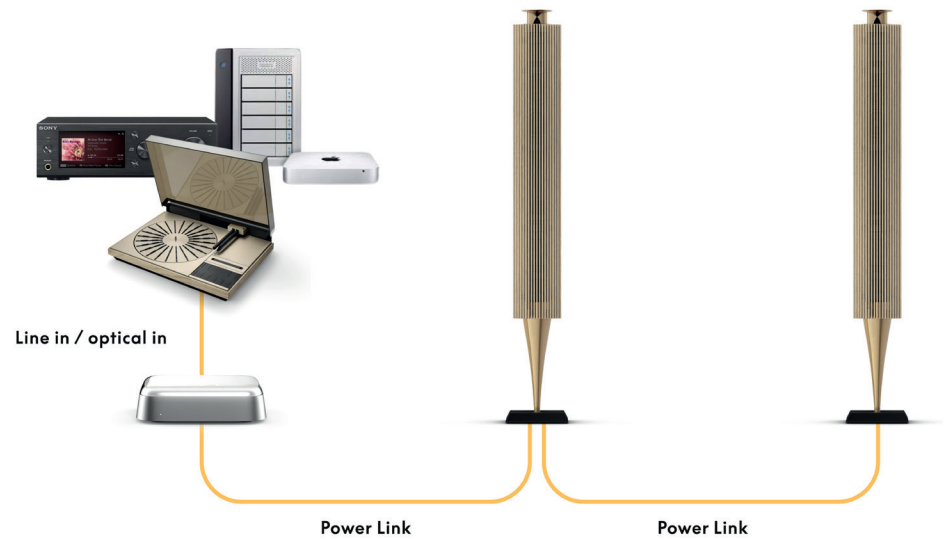
스피커에 적합한 케이블과 선호하는 설정에 관한 문의 사항은 Bang & Olufsen 매장으로 문의하세요.



외부 오디오 소스에 연결

위 그림은 음악 소스에 Beolab 스피커를 추가하는 방법을 보여줍니다. Beoconnect Core에 3.5mm 잭을 사용하면 모든 라인 수준의 아날로그 또는 디지털(광학) 오디오 소스를 연결해 연결된 스피커를 통해 오디오를 재생할 수 있습니다. 장치를 연결하는 데 적합한 케이블에 관한 문의 사항은 Bang & Olufsen 매장으로 문의하세요.

참고: 턴테이블을 연결하려면 턴테이블에 RIAA 프리앰프가 내장되어 있거나, 턴테이블과 Beoconnect Core를 외부에서 연결할 수 있는 RIAA 프리앰프가 있어야 합니다





타사 TV에 연결

Beoconnect Core는 Bang & Olufsen이 아닌 대부분의 TV에 연결이 가능해 원하는 TV 프로그램의 사운드를 연결된 스피커를 통해 재생할 수 있습니다.

HDMI 케이블을 사용해 Beoconnect Core를 TV에 연결하고 한쪽 끝을 Beoconnect Core의 HDMI eARC 단자에, 다른 쪽 끝을 TV의 HDMI eARC/ARC 단자에 연결하면 됩니다. TV에서 단자의 라벨을 보고 올바른 단자를 찾으세요.

연결되면 Beoconnect Core가 TV와 동기화되고 TV 전원이 켜지며 대기 모드로 들어갑니다. 볼륨은 TV 리모컨으로 조절할 수 있습니다.

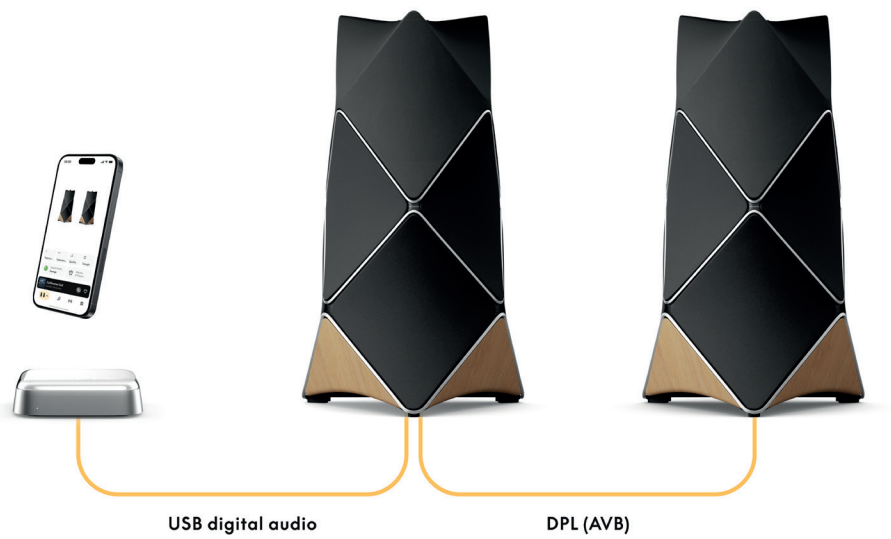
참고: 스테레오 사운드(PCM)만 전송하도록 TV를 구성해야 할 수도 있습니다. Beoconnect Core는 일부 TV의 기본값인 Dolby Atmos 같은 서라운드 사운드 형식을 디코딩할 수 없습니다.



BEOLAB 50/90에 연결

Beolab 50/90 라우드스피커를 USB-C 단자에 연결해 소스에서 라우드스피커로 연결되는 완전한 디지털 방식의 신호 체인을 만들 수 있습니다. Beoconnect Core와 기본 스피커 사이에는 USB-C to USB-B 2.0 케이블을 사용합니다. DPL(RJ45) 소켓을 통해 기본 스피커와 보조 스피커를 연결하고,

USB를 통해 스피커를 연결한 후에는 모든 장치를 전원에 연결하고 Bang & Olufsen 앱에서 설정을 계속합니다. Beoconnect Core를 네트워크에 연결하면 제어 화면에 Beolab 50 또는 90을 활성화하는 옵션이 표시됩니다.



### BEOSOUND SHAPE에 연결

Beoconnect Core로 Beosound Shape을 업데이트하면 사운드 품질을 향상하고 앰프에 직접 디지털로 연결할 수 있습니다.

#### 참고:

Beosound Shape 설정에서 Beoconnect Core를 설치할 때 브래킷이 필요합니다.

RJ45 Cat7 케이블을 Beoconnect Core의 'COMM' 소켓에서 기본 Beosound Shape 앰프의 'COMM In' 소켓으로 연결합니다.

기존 Beosound Shape 설정에서 Beosound Core를 Beoconnect Core로 교체할 때는 반드시 Beosound Shape을 전원에서 분리해야 합니다. 그다음, Beoconnect Core와 기본 앰프 사이에 모든 케이블을 연결하고, 앰프와 Beoconnect Core를 모두 전원에 연결합니다. 장치를 켤 때는 앰프를 먼저 켜 후 Beoconnect Core를 켜야 합니다.

#### 참고:

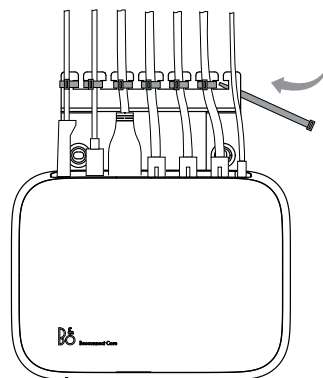
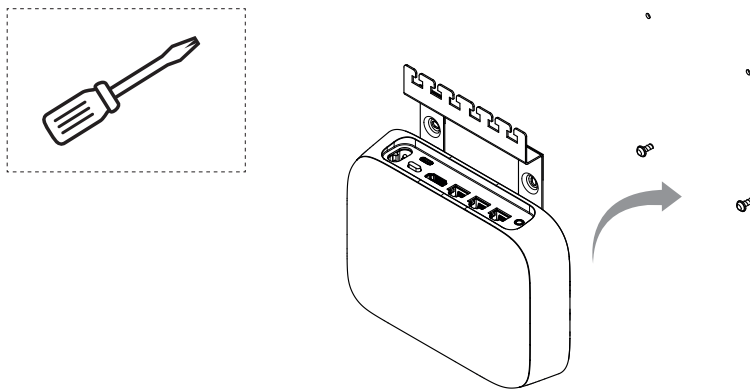
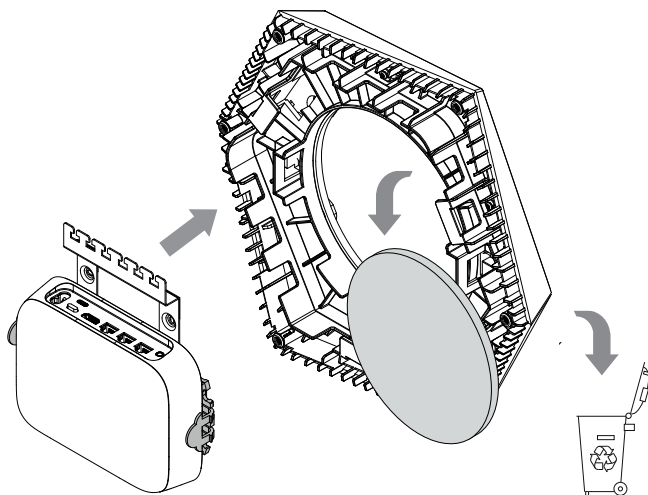
전원이 켜지면 Bang & Olufsen 앱에서 설정을 계속합니다. 디자인 ID를 입력해야 설정을 완료할 수 있으므로 Beosound Shape 디자인의 고유한 디자인 ID를 준비해 놓도록 합니다.



벽에 BEOSOUND SHAPE 브래킷 솔루션 장착

Beosound Shape 타일 내부에 Beoconnect Core를 장착하려면 Beoconnect Core 브래킷이 필요합니다. 이 브래킷을 사용해 Beoconnect Core를 벽에 장착할 수 있습니다. 자세한 지침은 Beoconnect Core 브래킷에 동봉된 설명서를 참조하세요.

Beoconnect Core 브래킷은 Bang & Olufsen 매장 과 온라인 스토어([www.bang-olufsen.com](http://www.bang-olufsen.com))에서 구매할 수 있습니다 .





**MULTIROOM**

집 전체를 하나의 청취 공간으로 만들어보세요. Beoconnect Core를 Multiroom 시스템 내 다른 스피커와 연결해 집 안 여러 스피커에서 동일한 콘텐츠를 동시에 재생할 수 있습니다. Multiroom은 다음과 같은 다양한 방법으로 즐길 수 있습니다.

**BeoLink Multiroom**

Beolink Multiroom은 Bang & Olufsen의 자체 Multiroom 시스템입니다. Beolink Multiroom을 사용하면 Beoconnect Core에서 재생되는 거의 모든 콘텐츠\*를 동일한 네트워크에 있는 다른 Bang & Olufsen 스피커와 TV에 배포할 수 있습니다.

다른 스피커로 Beoconnect Core에서 재생 중인 음악을 들으려면 해당 스피커에서 [재생/일시 중지]를 (2초간) 눌러 경험에 참여할 수 있습니다.

Beoconnect Core에서 진행 중인 경험에 참여하려면 페어링된 Bang & Olufsen 리모컨의 Join 기능을 사용하거나, Bang & Olufsen 앱을 사용해 재생 중인 제품을 확인하고 진행 중인 경험에 더 많은 제품을 추가할 수 있습니다.

**참고:**

Beolink Multiroom과 AirPlay를 함께 사용하려면 먼저 Bang & Olufsen 앱을 열고 제품 설정 -> Beolink Multiroom -> AirPlay 활성화로 이동합니다.

**참고:**

모든 Multiroom 경험은 스피커 그룹과 같은 Google 자체 기능을 사용해 구성해야 하므로 Beolink Multiroom은 Chromecast 내장과 함께 사용할 수 없습니다.

**Apple AirPlay**

AirPlay를 사용해 Multiroom 경험을 만들려면 Apple 기기의 오디오 출력 메뉴에서 여러 개의 스피커를 선택하세요. Beoconnect Core는 AirPlay를 지원하는 다른 브랜드의 스피커와도 함께 재생할 수 있습니다.

**Chromecast built-in**

스마트폰의 Google Home 앱을 사용해 스피커 그룹을 만든 후 Chromecast를 통해 이 스피커 그룹으로 콘텐츠를 전송할 수 있습니다.

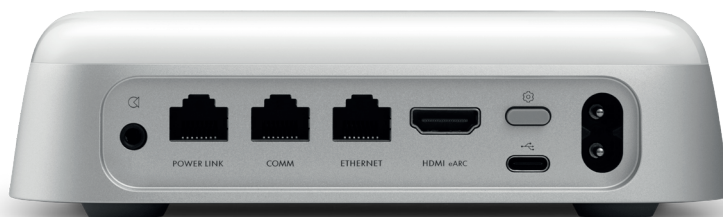
## 유용한 정보

### WI-FI 설정 모드

Beoconnect Core 뒷면의 설정 버튼을 2초간 눌러 Beoconnect Core를 새로운 무선 네트워크에 연결하거나 연결을 초기화할 수 있습니다. 작업이 완료되면 신호음이 들리고 상태 표시등이 노란색으로 깜박이기 시작합니다.

Bang & Olufsen 앱 제품 설정 메뉴에서 다시 설정을 선택해 스피커를 Wi-Fi에 연결합니다.

Wi-Fi 설정을 취소하고 이전 네트워크에 다시 연결하려면 버튼을 다시 길게 누릅니다.



### 기본값으로 초기화

Beoconnect Core 뒷면에 있는 설정 버튼을 8초간 눌러 출고 시 설정을 복원할 수 있습니다.

Beoconnect Core가 초기화 프로세스를 시작한 후 약 1분이 지나면 Beoconnect Core의 초기 설정 준비가 완료됩니다.

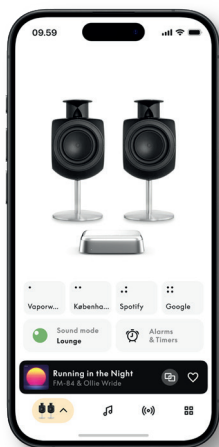
### 제품 사용하기

모바일 장치에서 Bang & Olufsen 앱을 통해 Beoconnect Core를 제어할 수 있고, Bang & Olufsen 리모컨을 연결해 선호하는 콘텐츠 소스나 서비스를 제어할 수 있습니다.

### 블루투스

새 장치를 페어링하려면 설정 버튼을 짧게 누릅니다. 상태 표시등이 파란색으로 깜박이기 시작하면 장치의 Bluetooth 설정으로 이동해 Beoconnect Core를 선택합니다. 연결이 완료되면 재생할 준비가 완료됩니다.

장치가 이미 페어링되어 있는 경우, 다시 페어링하지 않고 장치의 Bluetooth 설정에서 다시 장치에 연결할 수 있습니다.





상태 표시등

Beoconnect Core 전면에 있는 상태 표시등은 제품의 상태를 나타냅니다.:

상태 표시등

White

계속 켜져 있음  
깜박임  
천천히 깜박임

네트워크에 연결되어 있고 사용 준비됨  
시동 중  
재생이 일시 중지됨

Blue

켜짐(5초간)  
깜박임

\*연결됨/Bluetooth 페어링됨  
Bluetooth 페어링 열림

빨간색

계속 켜져 있음  
깜박임

정적 오류\*  
일시적 오류(예: 과열)

황색

계속 켜져 있음  
깜박임  
깜박임

네트워크 연결 없음, 연결 끊김  
네트워크 설정 준비됨  
네트워크에 연결 중

녹색

깜박임

소프트웨어 업데이트 진행 중(상태 표시등이 다시  
깜박임 없는 흰색으로 전환될 때까지 대기)

\*도움이 필요할 경우 고객 지원팀으로 문의하세요.  
Bang & Olufsen 앱의 지원 섹션에서도 지원팀에 도움을 요청할 수 있습니다.

## 开始体验。

### 简介

本指南包含有关 Bang & Olufsen 产品和连接产品日常使用的其他信息，并更详细地介绍了 Beolab 8 的特性和功能。

Beolab 8 既可以用作立体声音乐系统，又可以用作 Bang & Olufsen 电视的一对立体声扬声器。

我们建议由您的零售商交付、安装和设置 Beolab 8，尤其当 Beolab 8 是壁挂式或吸顶式时。

您的 Bang & Olufsen 零售商永远是满足您所有服务需求的第一站。如需查找最近的零售商，请参阅网站 [www.bang-olufsen.com](http://www.bang-olufsen.com)



### 下载 BANG & OLUFSEN 应用

要设置 Beoconnect Core，请从指定的应用商店下载 Bang & Olufsen 应用。

您可以通过该应用设置您的产品，尽享 Bang & Olufsen 体验。全面释放音频个性化、产品支持、网络连接、自动软件更新和新功能的完整产品体验，尽在指尖。

注意：

- 如果应用无法检测到您的产品，请确保您的设备上已启用蓝牙和 Wi-Fi。
- 另请确保允许 Bang & Olufsen 应用搜索本地网络上的设备。
- 前往“设置”，选择“Bang & Olufsen”应用并启用“蓝牙”和
- “本地网络”或设置设备访问附近设备的权限，具体取决于操作系统。



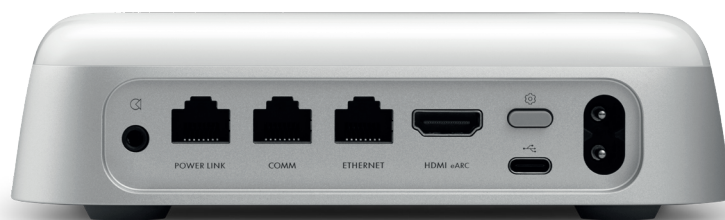


### 设置时的注意事项

在将任何线缆或设备连接到 Beoconnect Core 之前，请确保所有设备均已关闭并断开电源连接。在将任何线缆或设备连接到 Beoconnect Core 之前，请确保所有设备均已关闭并断开电源连接。

使用 Bang & Olufsen 应用将 Beoconnect Core 连接到互联网。连接 Beoconnect Core 后，它会搜索可用的软件更新。

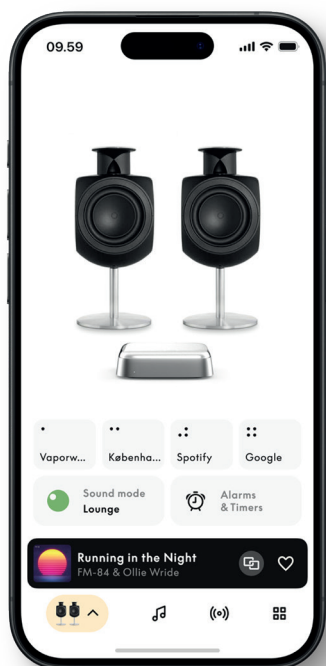
可以在 Bang & Olufsen 应用中配置自动软件更新。注意：随附的唯一线缆是本地电源线。



### 信号源

借助 Beoconnect Core，您可以使用以下信号源串流您喜爱的音乐：

<p><b>Bang &amp; Olufsen 收音机</b> 使用 Bang &amp; Olufsen 应用选择电台并设置收藏夹。</p>	<p><b>Line/Optical-in</b> 3.5 毫米组合插孔，用于模拟或数字连接音乐播放器。</p>
<p><b>Beolink、AirPlay 和 Chromecast 通过设备和多房间功能进行流式播放。</b></p>	<p><b>扬声器接口</b> 用于连接大多数 Beolab 扬声器。</p>
<p><b>Spotify、Tidal 和 Deezer Connect 通过云端进行流式播放，还有设置收藏夹的选项。</b></p>	<p><b>COMM</b> 用于连接 Beosound Shape。</p>
<p><b>Bluetooth 5.3</b> 用于流式传输音频和连接 Beoremove One BT 或 Beoremove Halo。</p>	<p><b>以太网</b> 通过线缆连接到您的家庭网络。</p>
<p><b>Wi-Fi</b> IEEE802.11 b/a/g/n/ac/ax</p>	<p><b>HDMI eARC</b> 配备 ARC/eARC 的第三方电视</p>
	<p><b>USB-C</b> 用于与 Beolab 50/90 进行数字音频连接或连接计算机的音频。</p>



## 在 BANG & OLUFSEN 应用中定制声音

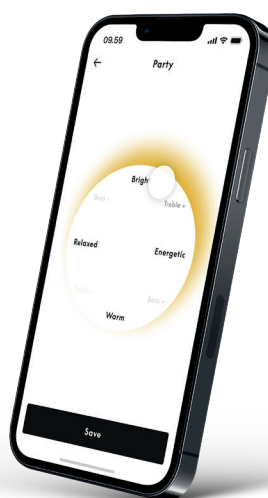
使用 Bang & Olufsen 应用调整声音并充分利用扬声器和 Beoconnect Core。借助声音模式，您可以根据自己的喜好调整声音。

Beoconnect Core 从一开始就包含最佳声音模式。但 Beosonic 可以保存自定义声音模式供以后使用，并从列表中激活。

要删除已保存声音模式，请点击该模式并向左滑动，显示删除按钮。要编辑已保存声音模式，请长按要编辑的声音模式。

### Beosonic

由我们的声学团队开发的高级数字声音算法使您可以通过简单地移动圆圈来探索不同的音频空间。



### Beosound Shape 模式

使用 Beosound Shape，您可以在三种不同的聆听方式之间进行选择。所有三种声音模式都会根据实际设置中的扬声器数量重新混合左右声道：

- Band on the Wall：在使用“Band on the Wall”声音模式时，主唱的位置保持不变，而混音的其余部分将分布在听众周围，无论听众的位置如何。
- 跟随音场：使用“跟随音场”声音模式时，主唱的位置保持在听众的前方，混音的其余部分将分布在听众周围，无论听众的位置如何。
- 立体声：使用“立体声”声音模式时，主唱的位置将位于较靠近最外层扬声器的地方，就像在传统立体声设置中一样。与传统的立体声设置不同的是，其余扬声器将增强扬声器之间的音场。此声音模式适用于 Beosound Shape 属于多声道环绕声设置的一部分（即作为后置扬声器）时使用。

## 收藏夹

Beoconnect Core 支持通过 Bang & Olufsen 应用或具有“收藏”(Favourite) 按钮 (MyButtons) 的配对遥控器进行收藏。

在 Bang & Olufsen 的产品页中，转到“广播”(Radio)，然后是“搜索”(Search) 以选择电台。轻触“更多”(More) 图标以将其分配至收藏夹。

这些按钮已经过预先设置，提供您所在地区最受欢迎的广播电台，并且可以根据您的喜好轻松定制：使用 Bang & Olufsen Radio 切换到其他电台，或通过 Spotify Connect、Deezer Connect 或 Tidal Connect 访问播放列表。

要保存收藏，请开始播放 Beoconnect Core 上的电台广播或播放列表。然后按住遥控器上您想要分配至收藏夹的“收藏”(Favorite) 按钮两秒钟。确认声音将指示您的选择已保存。在 Bang & Olufsen 应用中，按住“收藏”(Favorite) 按钮可将当前播放的电台或播放列表保存到该按钮中。保存后，只需短按该按钮即可访问收藏夹。



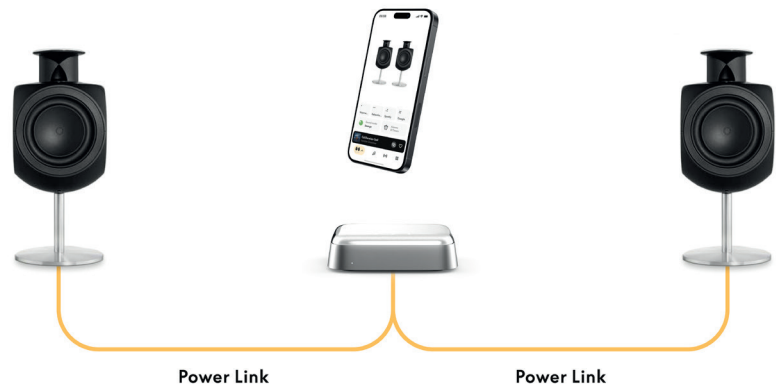
## 通过 POWER LINK 连接至 BEOLAB 扬声器

通过使用立体声 Power Link 连接，您可以将 Beolab 扬声器转换为当今的流媒体扬声器。Beoconnect Core 具有一个 Power Link (RJ45) 输出插座，可通过 Power Link 输入连接任意两个 Beolab 扬声器。有两种方式可以通过 Power Link 进行连接

- 菊式链接：如果扬声器有两个 Power Link 插座，则可以从 Beoconnect Core 连接到第一个扬声器，然后从第一个扬声器连接到第二个扬声器。
- 分线器：将 Power Link 分线器线缆连接到 Beoconnect Core，然后将两个扬声器连接到分线器。

通过 Power Link 连接扬声器后，将所有设备连接到电源并继续在 Bang & Olufsen 应用中进行设置。将 Beoconnect Core 连接到网络后，您需要配置连接的扬声器并确保正确设置左右角色。

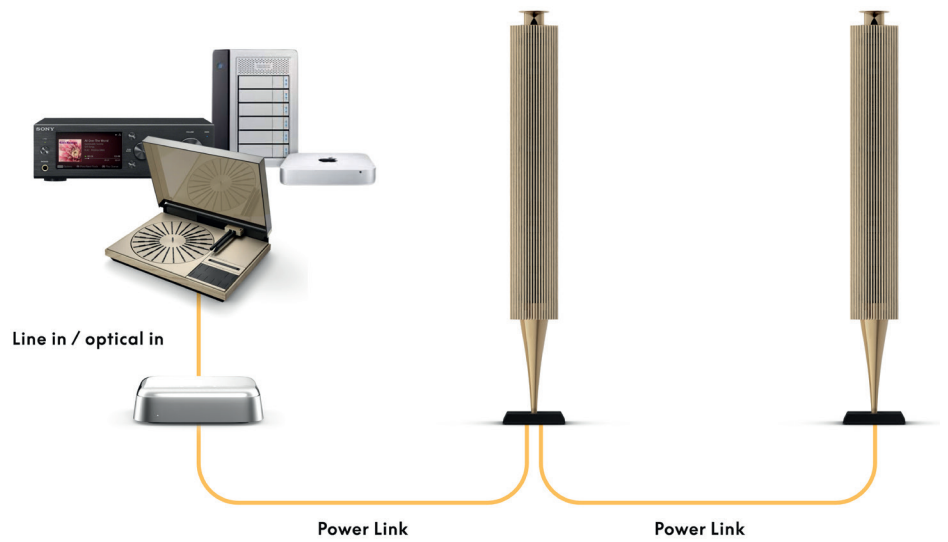
请联系您的 Bang & Olufsen 零售商，了解适合您的扬声器的线缆和首选设置。



连接至外部音频信号源

上图显示如何将 Beolab 扬声器添加到音乐信号源。Beoconnect Core 上的 3.5 毫米插孔可用于连接任何线路电平模拟或数字（光纤）音频信号源，以便通过连接的扬声器进行播放。请联系您的 Bang & Olufsen 零售商，获取用于连接设备的正确线缆组。

注意：如果您想连接转盘唱机，则需要将 RIAA 前置功放内置于转盘唱机中，或者在转盘唱机与 Beoconnect Core 之间外接前置功放。



### 连接至第三方电视机

Beoconnect Core 可以连接大多数非 Bang & Olufsen 电视机，并且允许通过连接的扬声器播放您喜欢的节目。

只需使用 HDMI 线缆将 Beoconnect Core 连接到 TV，将一端插入 Beoconnect Core 上的 HDMI eARC 端口，并且将另一端插入 TV 上的 HDMI eARC/ARC 端口。在 TV 上查找标记的端口以找到正确的端口。

连接后，Beoconnect Core 将与您的 TV 同步，同时随之打开并进入待机模式。您可以使用 TV 遥控器调节音量。

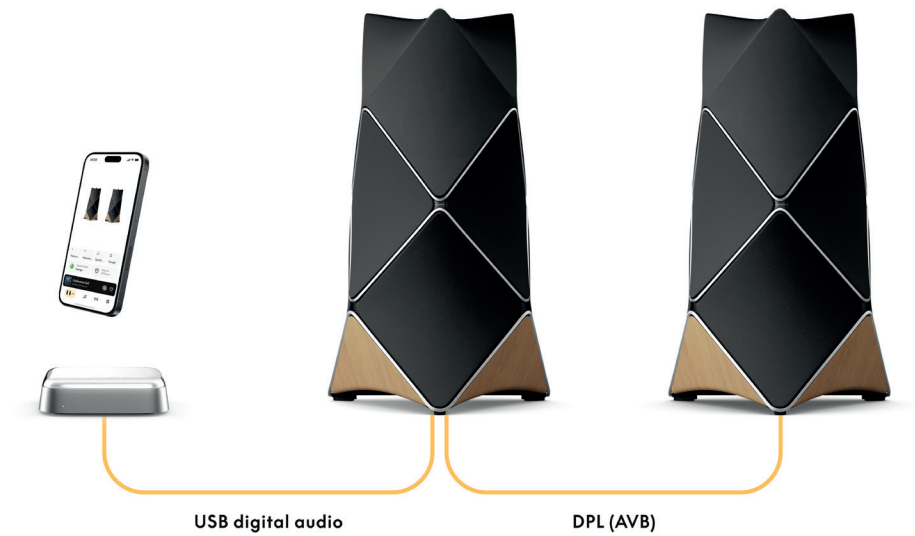
注意：您可能需要将 TV 配置为仅发送立体声 (PCM)。Beoconnect Core 无法解码环绕声格式，例如 Dolby Atmos，这是某些电视机上的默认格式。



### 连接至 BEOLAB 50 或 90

Beolab 50 和 90 扬声器可连接至 USB-C 端口，创建从信号源到扬声器的全数字信号链。在 Beoconnect Core 和主扬声器之间使用 USB-C to USB-B 2.0 线缆。通过 DPL (RJ45) 插座

连接主扬声器和辅助扬声器。通过 USB 连接扬声器后，将所有设备连接到电源并继续在 Bang & Olufsen 应用中进行设置。将 Beoconnect Core 连接到网络后，您将在控制屏幕中看到启用 Beolab 50 或 90 的选项。



## 连接至 BEOSOUND SHAPE

使用 Beoconnect Core 更新 Beosound Shape，以改善音质并直接与功放进行数字连接。

注意：

在 Beosound Shape 设置中安装 Beoconnect Core 时需要托架。

将 RJ45 Cat7 线缆从 Beoconnect Core 上的“COMM”插座连接到 Beosound Shape 主功放上的“COMM In”插座。

将现有 Beosound Shape 设置中的 Beosound Core 更换为 Beoconnect Core 时，请确保断开 Beosound Shape 与电源的连接。然后连接 Beoconnect Core 和主功放之间的所有线缆。然后将功放和 Beoconnect Core 连接至电源。确保先打开功放，然后打开 Beoconnect Core。

注意：

开启后，继续在 Bang & Olufsen 应用中进行设置。确保准备好您独特的 Beosound Shape 设计的设计 ID，因为您需要将其输入该应用中才能完成设置。

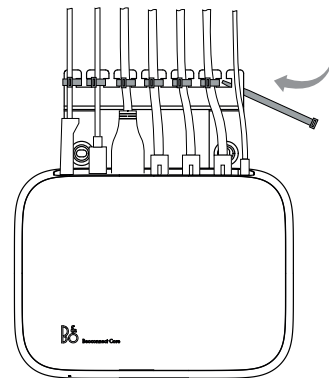
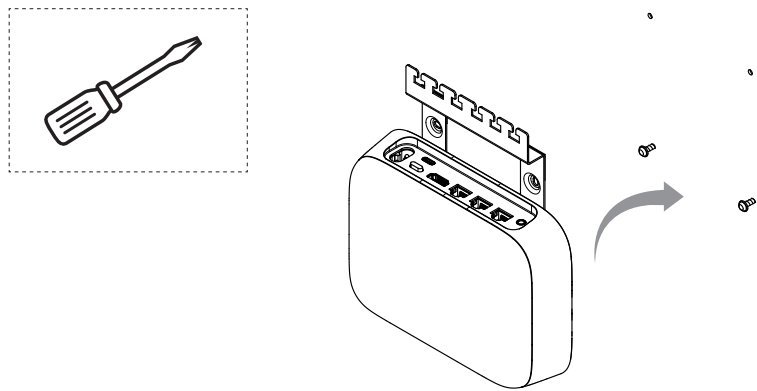
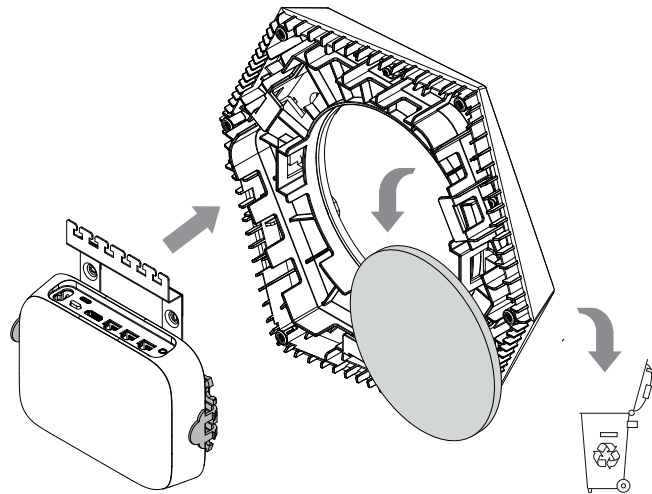




壁装和 BEOSOUND SHAPE 托架解决方案

要将 Beoconnect Core 安装在 Beosound Shape 磁贴内，需要 Beoconnect Core 托架。同一托架可用于将 Beoconnect Core 安装在墙上。如需更多说明，请参阅 Beoconnect Core 托架附带的指南。

Beoconnect Core 托架可从 Bang & Olufsen 零售商和 [www.bang-olufsen.com](http://www.bang-olufsen.com) 购买。





## 多区域

让整座房子合而为一。Beoconnect Core 可以连接到 Multiroom 系统中的其他扬声器，让家中的多个扬声器同时播放相同的内容。您可以通过几种不同的方式享受 Multiroom 功能带来的乐趣：

### BeoLink Multiroom

BeoLink Multiroom 是 Bang & Olufsen 自带的多区域系统。它可以将 Beoconnect Core 上播放的几乎所有内容\*传送到同一网络上的其他 Bang & Olufsen 扬声器和电视机。

要在另一个扬声器上收听 Beoconnect Core 上播放的内容，请按住该扬声器上的[播放/暂停]（持续两秒钟），即可加入体验。

要加入 Beoconnect Core 上的持续体验，请使用配对的 Bang & Olufsen 遥控器上的“加入”(Join) 功能，或使用 Bang & Olufsen 应用查看正在播放的产品并为持续体验添加更多内容。

### 注意：

要同时使用 BeoLink Multiroom 和 AirPlay，请先打开 Bang & Olufsen 应用程序并进入产品设置 -> BeoLink Multiroom -> 启用 AirPlay。

### 注意：

BeoLink Multiroom 无法与内置 Chromecast 一起使用，因为所有多区域体验都必须使用 Google 自有的功能（例如扬声器群组）进行配置。

### Apple Airplay

要使用 AirPlay 创建 Multiroom 体验，请从 Apple 设备的声音输出菜单中选择多个扬声器。Beoconnect Core 还可以与支持 AirPlay 的其他品牌的扬声器一起使用。

### Chromecast built-in

您可以使用智能手机上的 Google Home 应用创建扬声器群组，然后通过 Chromecast 将内容投射到这些扬声器。

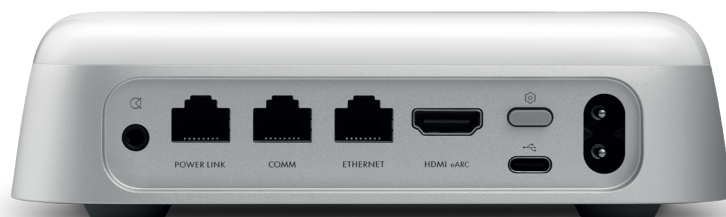
## 很高兴知道

### W I - F I 设置模式

您可以将 Beoconnect Core 连接到新的无线网络，或者按住 Beoconnect Core 背面的“设置”(Setup) 按钮 2 秒钟，即可重置连接。您会听到提示音，并且状态指示灯会开始闪烁琥珀色。

在 Bang & Olufsen 应用程序的产品设置中，选择“重新设置”将扬声器连接到 Wi-Fi。

要取消 Wi-Fi 设置并连接回之前的网络，请再次按住以上按钮。



### 恢复出厂设置

您可以按住 Beoconnect Core 背面的设置按钮 8 秒钟，即可恢复出厂设置。

您的 Beoconnect Core 将开始重置过程，大约一分钟后，您的 Beoconnect Core 将准备好首次重新设置。

### 日常使用

使用您的移动设备通过 Bang & Olufsen 应用控制 Beoconnect Core，或连接 Bang & Olufsen 遥控器以获取您喜欢的内容信号源或服务。

#### 蓝牙

要配对新设备，请短按“设置”(Setup) 按钮。当指示灯为蓝灯闪烁时，进入设备上的蓝牙设置并选择 Beoconnect Core。连接后，您就可以开始播放了。

如果您的设备已配对，则可以从设备上的蓝牙设置重新连接，而无需再次进行配对。





### 灯 指 示 器

指示灯位于 Beoconnect Core 的正面，显示产品的状态：

#### 指示状态

白色	
长亮	已连接到网络，可以使用
闪烁	启动
缓慢脉动	播放暂停
蓝色	
稳定（5 秒）	*已连接/蓝牙已配对
脉冲	打开以进行蓝牙配对
红色	
长亮	静态错误*
闪烁	瞬态错误，例如 过热
琥珀色	
长亮	无网络连接，连接已丢失
闪烁	准备网络设置
脉冲	连接到网络
绿色	
脉冲	软件更新正在进行中 - 等待指示灯再次变成白色长亮

\*请联系客户服务寻求帮助。  
这也可以通过 Bang & Olufsen 应用的“支持”部分实现。



## 開啟美好樂音

### 簡介

Beoconnect Core 不僅僅是串流播放機，亦是擴展 Bang & Olufsen 產品功能的工具。

本指南介紹與 Beoconnect Core 相關及連結產品日常使用的資訊，並詳細說明功能和特色。

如有任何維修問題，請先洽詢您的 Bang & Olufsen 門市。若要找出您最近的門市，請參閱：

[stores.bang-olufsen.com/en/search](https://stores.bang-olufsen.com/en/search)



### 下載 BANG & OLUFSEN 應用程式

欲設定 Beoconnect Core，請從指定的應用程式商店下載 Bang & Olufsen 應用程式。

可以在此應用程式裡設定產品，享受完整的 Bang & Olufsen 體驗。彈指之間即可解鎖個人化音效、產品支援、網路連線、自動軟體更新和全新功能的完整產品體驗。

請注意：

- 若應用程式無法偵測到產品，請確保裝置已啟用藍牙和 Wi-Fi 功能。
- 此外，須允許 Bang & Olufsen 應用程式搜尋區域網路上的裝置。
- 前往「設定」，選擇「Bang & Olufsen」應用程式並啟用「藍牙」和「區域網路」，或設定裝置存取附近裝置的權限，具體取決於作業系統

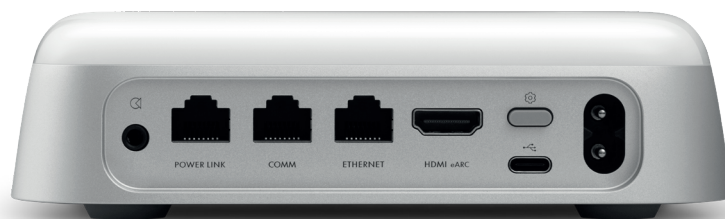


### 設定須知

將任何纜線或裝置連接到 Beoconnect Core 之前，請確保所有裝置均已關閉並中斷電源連接。將任何纜線或裝置連接到 Beoconnect Core 之前，請確保所有裝置均已關閉並中斷電源連接。

使用 Bang & Olufsen 應用程式將 Beoconnect Core 連線至網路。Beoconnect Core 連線後會搜尋可用的軟體更新。

自動軟體更新可在 Bang & Olufsen 應用程式中設定。備註：隨附唯一纜線是當地可用的電源線。



### 訊源

藉由 Beoconnect Core，可使用以下訊源串流最愛的音樂：

#### Bang & Olufsen 電台

使用 Bang & Olufsen 應用程式選擇電台及設定最愛項目。

Beolink、AirPlay 和 Chromecast 自裝置串流和多室控制功能。

Spotify、Tidal 和 Deezer Connect 透過雲端串流及設定我的最愛選項。

#### 藍牙 5.3

用於串流音訊和連接 Beoremote One BT 或 Beoremote Halo。

#### Wi-Fi

IEEE802.11 b/a/g/n/ac/ax

#### 音源線/光纖

3.5 公釐耳麥插孔，可用於以類比或數位訊號方式連接音樂播放機。

#### Power Link

用於連接大多數 Beolab 喇叭。

#### COMMA

用於連接 Beosound Shape。

#### 乙太網路

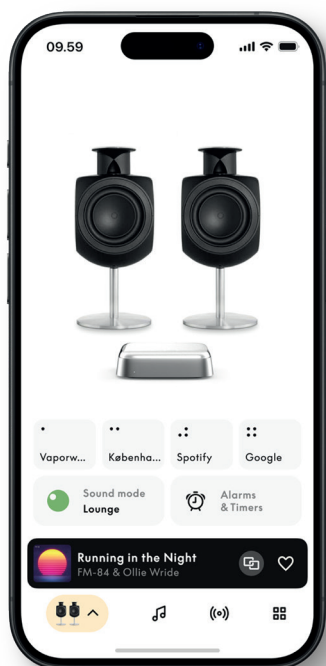
透過纜線連接至您的住家網路

#### HDMI eARC

具有 ARC/eARC 的第三方電視

#### USB-C

用於與 Beolab 50/90 進行數位音訊連接，或連接電腦音訊。



## 在 BANG & OLUFSEN 應用程式中客製化音效

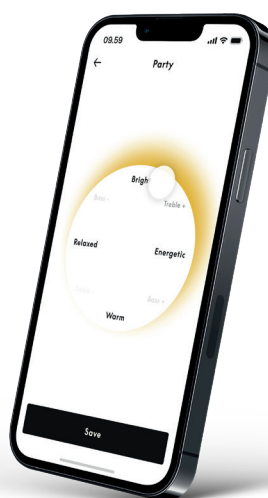
使用 Bang & Olufsen 應用程式，調整聲音並充分利用喇叭和 Beoconnect Core。使用「聲音模式」，您可以根據自己的喜好來設計聲音。

Beoconnect Core 自帶最佳聲音模式，但可以從 Beosonic 儲存自訂「聲音模式」供以後使用，並可從清單中啟用。

若要刪除已儲存聲音模式，可輕點並向左滑動以顯示刪除按鈕。若要修改已儲存聲音模式，可按住要修改的模式。

### Beosonic

由我們的聲學團隊開發的進階數位聲音演算法，可讓您透過簡單地移動圓圈來探索不同的音頻空間。



### Beosound Shape 模式

藉由 Beosound Shape，可以選擇三種不同的聆聽方式。所有三種聲音模式都會視實際設定中的喇叭數量，重新混合左右聲道：

- Band on the Wall: 使用「Band on the Wall」聲音模式時，無論聽眾位置如何，主聲位置保持不變，混音的其餘部分將分佈在不同位置。
- Social: 使用「Following sound stage」聲音模式時，無論聽眾位置如何，主聲位置保持在聽眾前方，混音的其餘部分將分佈在聽眾四周。
- Stereo: 使用「Stereo」聲音模式時，主聲將出現在距離較近的最外側喇叭中，就像傳統立體聲設定一樣。與傳統立體聲設定相反，其餘喇叭將增強喇叭間的音場。此聲音模式可在 Beosound Shape 是多聲道環繞音效設定的一部分（即作為後置喇叭）時使用。



## 喜愛頻道

Beoconnect Core 透過 Bang & Olufsen 應用程式或帶有「我的最愛」按鈕 (MyButton) 的配對遙控器支援「喜愛頻道」功能。

在 Bang & Olufsen 應用程式的產品頁面上，前往「電台」並透過「搜尋」來選擇電台。輕觸「更多」圖示以將其指派至最愛。

這些按鈕預裝有您所在地區最熱門的廣播電台，並且可以依據您的喜好輕鬆自訂：使用 Bang & Olufsen Radio 切換到其他電台，或透過 Spotify Connect、Deezer Connect 或 Tidal Connect 存取播放清單。

若要儲存最愛項目，請開始在 Beoconnect Core 上播放電台或播放清單。然後，按住遙控器上要將最愛項目儲存在其中的「我的最愛」按鈕兩秒鐘。發出確認聲音表示選擇已儲存。在 Bang & Olufsen 應用程式中，按住「我的最愛」按鈕可將目前播放的廣播電台或播放清單儲存至該按鈕。儲存後，只需短按按鈕即可存取您的最愛項目。





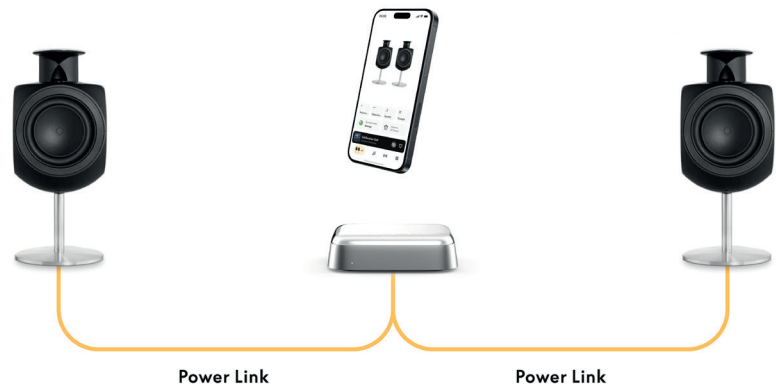
### 透過 POWER LINK 連接至 BEOLAB 喇叭

使用立體聲 Power Link 連接，可以將 Beolab 喇叭轉變為當今的串流喇叭。Beoconnect Core 具有一個 Power Link (RJ45) 輸出插孔，可透過 Power Link 輸入連接任意兩個 Beolab 喇叭。有兩種方式透過 Power Link 連接

- 菊鏈：若喇叭有兩個 Power Link 插孔，可從 Beoconnect Core 連接到第一個喇叭，然後將第一個喇叭與第二個喇叭連接。
- 分線器：將 Power Link 分線器纜線連接至 Beoconnect Core，然後將兩個喇叭連接至分線器。

透過 Power Link 連接喇叭後，將所有裝置連接到電源並繼續在 Bang & Olufsen 應用程式中設定。Beoconnect Core 與網路連線後，需要配置連接的喇叭並須正確設定左右聲道。

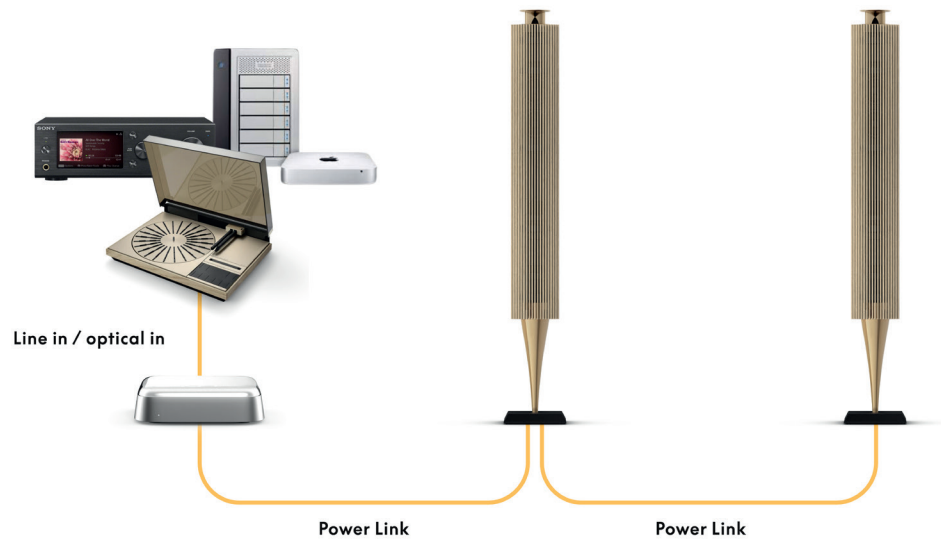
請聯絡 Bang & Olufsen 門市，以取得適合喇叭和偏好設定的纜線。



連接至外部音源

上圖顯示如何將 Beolab 喇叭新增至音樂訊源。Beoconnect Core 上的 3.5 公釐插孔可用於連接任何音源線類比或數位（光纖）音源，以利透過連接的喇叭播放。請聯絡 Bang & Olufsen 門市，以取得適合連接裝置的纜線組。

備註：若想連接黑膠唱機，則須在黑膠唱機中內建 RIAA 前級擴大機，或在黑膠唱機與 Beoconnect Core 之間外接前級擴大機。



### 連接至第三方電視

Beoconnect Core 可連接到大多數非 Bang & Olufsen 電視，讓常看節目的聲音透過連接的喇叭播放。

只需使用 HDMI 纜線將 Beoconnect Core 連接到電視，將一端插入 Beoconnect Core 上的 HDMI eARC 連接埠，另一端插入電視上的 HDMI eARC/ARC 連接埠即可。尋找電視上帶有標籤的連接埠，找到正確的連接埠。

連接後，Beoconnect Core 將與電視同步，並隨之開啟及進入待機模式。您可以使用電視遙控器調節音量。

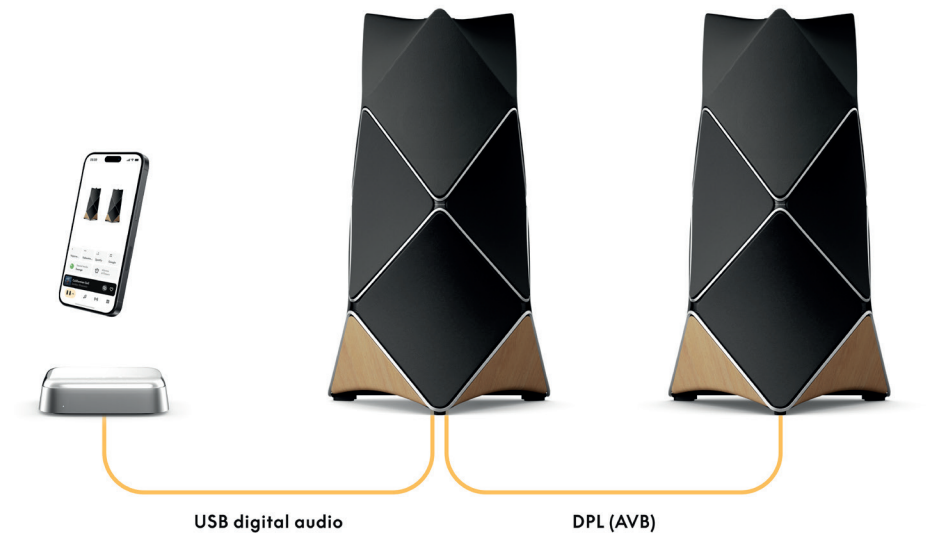
備註：可能須將電視設定為僅傳送立體聲 (PCM)。Beoconnect Core 無法解碼環繞音效格式（某些電視的預設格式），例如 Dolby Atmos。



### 連接至 BEOLAB 50 或 90

Beolab 50 和 90 喇叭可連接至 USB-C 連接埠，以建立從來源到喇叭的全數位訊號鏈。在 Beoconnect Core 和主要喇叭之間使用 USB-C 轉 USB-B 2.0 纜線。連接主要喇叭和次要喇叭

透過 DPL (RJ45) 插座連接喇叭。透過 USB 連接喇叭後，將所有裝置連接到電源並繼續在 Bang & Olufsen 應用程式中設定。將 Beoconnect Core 連線至網路後，可在控制畫面中看到啟用 Beolab 50 或 90 的選項。



## 連接至 BEOSOUND SHAPE

使用 Beoconnect Core 更新 Beosound Shape，以提升音質並與擴大機直接進行數位連接。

請注意：

在 Beosound Shape 設定中安裝 Beoconnect Core 時需要掛架。

將 Beoconnect Core 上「COMM」插座的 RJ45 Cat7 纜線連接到主要 Beosound Shape 擴大機上的「COMM In」插座。

將現有 Beosound Shape 設定中的 Beosound Core 更換為 Beoconnect Core 時，須斷開 Beosound Shape 與電源的連接。然後連接 Beoconnect Core 和主要擴大機之間的所有纜線。接下來，將擴大機和 Beoconnect Core 連接至電源。務必先開啟擴大機，然後再開啟 Beoconnect Core。

請注意：

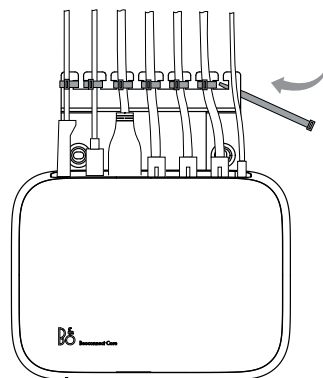
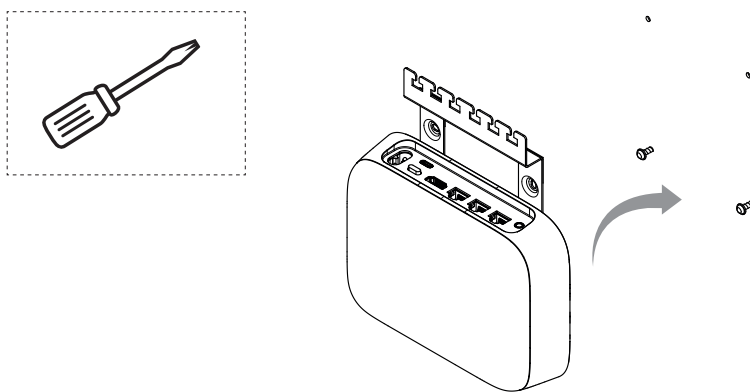
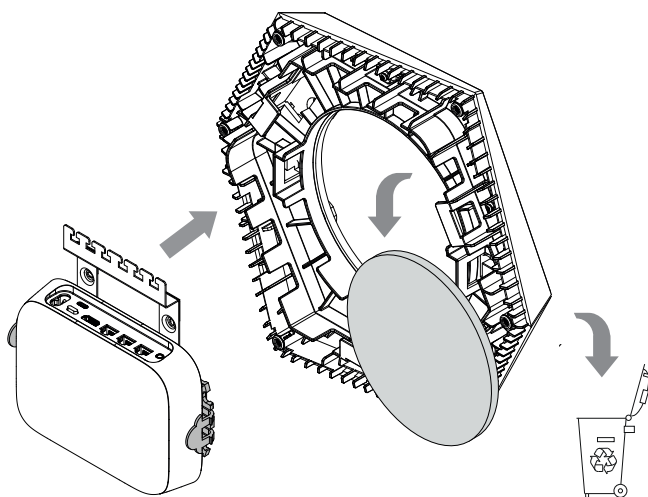
開啟後，繼續在 Bang & Olufsen 應用程式中設定。務必備好 Beosound Shape 獨特設計的設計 ID，因為您需要將其輸入到應用程式中以完成設定。



壁掛架和 BEOSOUND SHAPE 掛架解決方案

要將 Beoconnect Core 安裝在 Beosound Shape 音訊板塊內，需要 Beoconnect Core 掛架。同一掛架可用於將 Beoconnect Core 安裝在牆上。如需更多說明，請參閱 Beoconnect Core 掛架隨附指南。

Beoconnect Core 掛架可從 Bang & Olufsen 門市和 [www.bang-olufsen.com](http://www.bang-olufsen.com) 購買。





## 多室控制 (MULTIROOM)

讓歌聲傳遍整個房子。Beoconnect Core 可以連接到多房間系統中的其他喇叭，讓您家中的多個喇叭同時播放相同的內容。您可以透過幾種不同的方式享受多房間聆聽體驗：

### BeoLink Multiroom

BeoLink Multiroom 是 Bang & Olufsen 的自有多房間系統。它可以將 Beoconnect Core 上播放的幾乎所有內容\*傳送至同一網路上的其他 Bang & Olufsen 喇叭和電視。

若要在其他喇叭上聆聽 Beoconnect Core 上播放的內容，請按住該喇叭上的【播放/暫停】（持續兩秒鐘）即可欣賞。

若要加入 Beoconnect Core 的持續播放體驗，請使用配對 Bang & Olufsen 遙控器上的加入功能，或使用 Bang & Olufsen 應用程式查看哪些產品正在播放，並為持續播放體驗新增更多內容。

### 請注意：

若要同時使用 BeoLink Multiroom 和 AirPlay，首先開啟 Bang & Olufsen 應用程式並進入「產品設定」->「BeoLink Multiroom」->「啟用 AirPlay」。

### 請注意：

BeoLink Multiroom 無法與內建 Chromecast 同時使用，因為所有多房間體驗皆須使用 Google 自己的功能（例如喇叭群組）進行設定。

### Apple AirPlay

若要使用 AirPlay 建立多房間體驗，請從 Apple 裝置的聲音輸出選單中選擇多個喇叭。Beoconnect Core 還可以與支援 AirPlay 的其他品牌喇叭一同播放。

### Chromecast built-in

您可以使用智慧型手機上的 Google Home 應用程式，建立喇叭群組，然後透過 Chromecast 將內容播送到這些喇叭。

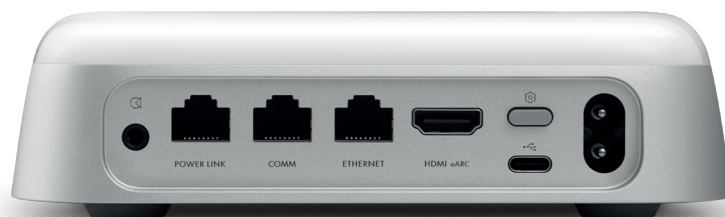
## 小訣竅

### WI-FI 設定模式

可以按住 Beoconnect Core 背面的「設定」按鈕達 2 秒，將 Beoconnect Core 連線至新的無線網路或重設連線。您將聽到一聲提示音，且狀態指示燈會開始閃爍橘光。

在 Bang & Olufsen 應用程式的產品設定中選取「重新設定」，將揚聲器連接到 Wi-Fi。

若要取消 Wi-Fi 設定並重新連線先前的網路，請再次按住按鈕。



### 重設為出廠設定

可以按住 Beoconnect Core 背面的「設定」按鈕達 8 秒，以恢復原廠設定。

Beoconnect Core 會開始重設程序，大約一分鐘後，Beoconnect Core 即可再次進行首次設定。

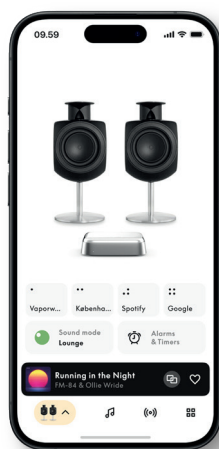
### 日常使用

使用您的行動裝置，透過 Bang & Olufsen 應用程式控制 Beoconnect Core，或連接 Bang & Olufsen 遙控器以取得常聽內容來源或常用服務。

#### 藍牙

若要配對新裝置，請短按「設定」按鈕。當指示燈開始閃爍藍光時，前往裝置上的藍牙設定並選擇 Beoconnect Core。連接後即可開始聆聽。

若裝置已配對，則可以從裝置上的藍牙設定重新連接，而無需再次配對。







指示燈

指示燈位於 Beoconnect Core 的正面，會顯示產品的狀態：

指示	狀態
白色 恆亮 閃爍 慢閃	連線到網路，使用就緒 開機 播放暫停
藍色 恆亮 (5 秒) 呼吸燈	*已連線/藍牙已配對 藍牙配對開啟
紅色 恆亮 閃爍	靜態錯誤* 暫態錯誤，例如：過熱過熱
橘燈 恆亮 閃爍 呼吸燈	無網路連線，連線中斷 網路設定就緒 連線到網路
綠色 呼吸燈	軟體更新，等到指示燈再次變為純白色

\*請聯絡客服尋求協助。  
也可透過 Bang & Olufsen 應用程式支援區段取得協助。

## البدء

### مقدمة

الخاص بك هو أكثر Beoconnect Core إن جهاز Bang & Olufsen بكثير من مجرد جهاز بث: فهو سينقل منتجات الخاصة بك إلى المستقبل Olufsen.

ستجد في هذا الدليل معلومات حول الاستخدام اليومي لجهاز Beoconnect Core والمنتجات المتصلة به بالإضافة إلى أوصاف تفصيلية للميزات والوظائف.

هو محطتك Bang & Olufsen بائع التجزئة الذي يبيع لك الأولى لجميع استفسارات الخدمة لديك. للعثور على أقرب بائع تجزئة هنا:

[stores.bang-olufsen.com/en/search](https://stores.bang-olufsen.com/en/search)



## BANG & OLUFSEN تنزيل تطبيق

من متجر التطبيقات الذي تختاره Bang & Olufsen الخاص بك، قم بتنزيل تطبيق Beoconnect Core لإعداد جهازك. أطلق العنان لتجربة المنتج الكاملة لتخصيص Bang & Olufsen يمكنك في التطبيق إعداد منتجك والاستمتاع بتجربة الصوت ودعم المنتج والاتصال بالشبكة وتحديثات البرامج الثقلانية والميزات الجديدة ليصبح كل ذلك في متناول يدك.

ملحوظة:

وشبكة واي فاي على جهازك Bluetooth إذا لم يتمكن التطبيق من اكتشاف منتجك، فيرجى التأكد من تمكين

بالبحث عن الأجهزة على الشبكة المحلية Bang & Olufsen تأكد أيضًا من السماح لتطبيق

و «Bluetooth» وقم بتمكين «Bang & Olufsen» الإعدادات)، وحدد تطبيق «Settings» انتقل إلى

الشبكة المحلية) أو قم بتعيين أذونات جهازك للوصول إلى الأجهزة القريبة، اعتمادًا على نظام التشغيل («Local Network»

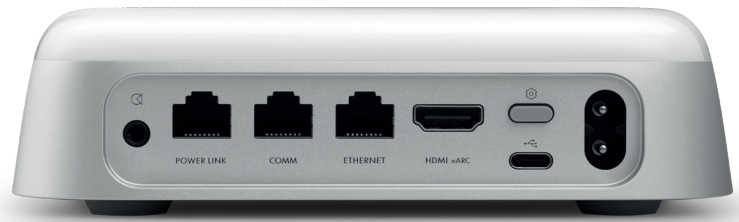


## تذكر هذه الأمور عند الإعداد

تأكد من إيقاف تشغيل كل شيء وفصله عن مصدر التيار، Beoconnect Core قبل توصيل أي كابلات أو أجهزة بجهاز. تأكد من إيقاف تشغيل كل شيء وفصله عن مصدر، Beoconnect Core الكهربائي. قبل توصيل أي كابلات أو أجهزة بجهاز التيار الكهربائي.

Beoconnect Core بالإنترنت. بمجرد توصيل Beoconnect Core لتوصيل جهاز Bang & Olufsen استخدم تطبيق Core. سيبحث عن تحديثات البرامج المتاحة،

ملاحظة: الكابل الوحيد المرفق هو كابل طاقة محلي. Bang & Olufsen يمكن تكوين تحديثات البرامج الثلقائية في تطبيق



## المصادر

يمكنك بث محتويات الموسيقى المفضل باستخدام المصادر التالية، Beoconnect Core مع

## Bang &amp; Olufsen راديو

لتحديد المحطات Bang & Olufsen استخدم تطبيق وتعيين محطاتك المفضلة.

من الجهاز Chromecast وAirPlay وBeolink بث multiroom وإمكانيات الغرف المتعددة.

عبر منصة Deezer Connect وTidal وSpotify بث السحابة وخيارات لتعيين المفضلات.

## Bluetooth 5.3

أو Beoremove One BT لبث الصوت وتوصيل جهاز Beoremove Halo.

## شبكة واي فاي

IEEE802.11 b/a/g/n/ac/ax

## إشارة الصوت/ بصري

مقيس مدمج مقاس 3.5 مم للتوصيل التناظري أو الرقمي. بمشغلات الموسيقى.

## Power Lin

Beolab للتوصيل بمعظم مكبرات صوت.

## COMMA

Beosound Shape للتوصيل بـ

## إيثرنت

اتصال بكابل بشبكته المنزلية.

## HDMI eARC

من أطراف خارجية مزودة بـ TV أجهزة ARC/eARC

## USB-C

أو لتوصيل Beolab 50/90 لتوصيل الصوت الرقمي بـ

## BANG & OLUFSEN خصص صوت جهازك في تطبيق

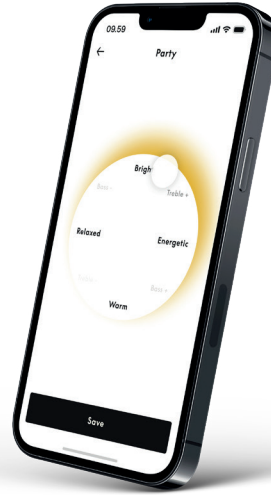
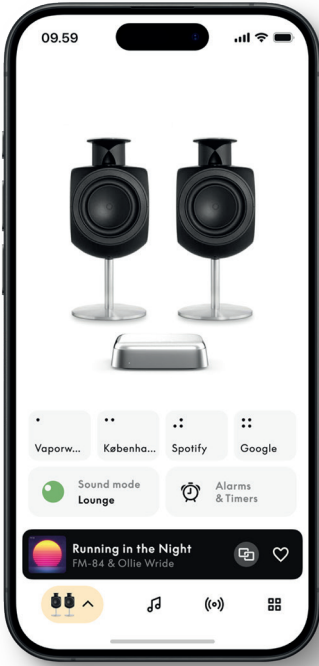
Bang & Olufsen باستخدام تطبيق Beoconnect Core لضبط الصوت وتحقيق أقصى استفادة من مكبرات الصوت الخاصة بك و باستخدام أوضاع الصوت، يمكنك ضبط الصوت حسب رغبتك.

الصوت الأمثل) من البداية. ولكن يمكن حفظ أوضاع الصوت) Optimal Sound وضع Beoconnect Core يتضمن وتنشيطها من القائمة Beosonic المخصصة لوقت لاحق من

لحذف وضع الصوت المحفوظ، اضغط عليه واسحب لليسار للكشف عن زر الحذف. لتحرير وضع الصوت المحفوظ، اضغط مع الاستمرار على وضع الصوت الذي ترغب في تحريره

بيوسونك

تسمح لك خوارزميات الصوت الرقمية المتقدمة التي أعدها فريق الصوتيات لدينا استكشاف مساحات صوتية مختلفة بمجرد تحريك الدائرة دائرياً



## Beosound Shape أوضاع

مع Med Beosound Shape kan du vælge mellem tre forskellige måder at lytte på. Alle tr يمكنك الاختيار من بين ثلاث طرق مختلفة للاستماع. تعمل كل أوضاع الصوت الثلاثة على إعادة مزج Beosound Shape، القناتين اليمنى واليسرى مع عدد مكبرات الصوت في الإعداد الفعلي

- Band on the Wall: يظل موقع الصوت الرئيسي في نفس «Band on the Wall» عند استخدام وضع الصوت، والموضع، وسيتم توزيع الأجزاء المتبقية من المزيج في كل الأتحاء بغض النظر عن موضع المستمع
- Following sound stage: يظل موقع الصوت الرئيسي «Following sound stage» عند استخدام وضع الصوت، أمام المستمع، وسيتم توزيع الأجزاء المتبقية من المزيج في كل الأتحاء بغض النظر عن موضع المستمع
- Stereo: سيظهر موقع الصوت الرئيسي في السماع الخارجية الأقرب كما هو «Stereo» عند استخدام وضع الصوت، الحال في إعداد الإستريو التقليدي. ولكن على عكس إعداد الإستريو التقليدي، ستعمل مكبرات الصوت المتبقية على تحسين مرحلة جزءاً من إعداد Beosound Shape الصوت بين مكبرات الصوت. ثم تصميم وضع الصوت هذا للاستخدام عندما يكون محيطي متعدد القنوات، أي كمكبر صوت خلفي

## المفضلات

أو جهاز تحكم عن بُعد Bang & Olufsen المفضلة) من خلال تطبيق) Favourites ميزة Beoconnect Core يدعم Favourite (MyButtons) مقترن يحتوي على أزرار

بحث) لاختيار إحدى المحطات. Search الراديو) ثم Radio انتقل إلى Bang & Olufsen في صفحة منتجك في تطبيق المزيد) لتعيينها كمفضلة) More انقر فوق أيقونة

تمت برمجة الأزرار مسبقًا مع محطات الراديو الأكثر شعبية في منطقتك ويمكن تخصيصها بسهولة حسب تفضيلاتك: قم بالتعديل أو Spotify Connect أو انتقل إلى قوائم التشغيل من خلال Bang & Olufsen إلى محطات أخرى باستخدام راديو Deezer Connect أو Tidal Connect.

الخاص بك. ثم اضغط مع الاستمرار Beoconnect Core لحفظ محطة كمفضلة، ابدأ تشغيل إما الراديو أو قائمة تشغيل على المفضلة) الذي ترغب في تعيين المفضلة له على جهاز التحكم عن بُعد لمدة ثانيتين. سيشير صوت التأكيد) Favorite على زر المفضلة) لحفظ محطة) Favourite اضغط مع الاستمرار على زر Bang & Olufsen إلى أنه تم حفظ اختيارك. في تطبيق الراديو أو قائمة التشغيل الجاري تشغيلها حاليًا لهذا الزر. بمجرد الحفظ، يمكنك الوصول ببساطة إلى مفضلتك بضغطة قصيرة على الزر.



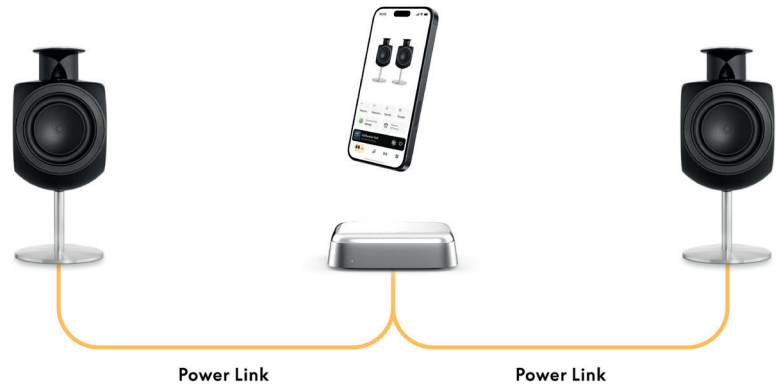
### POWER LINK عبر BEOLAB التوصيل بمكبرات صوت

Beolab واحد يمكنه توصيل أي مكبري صوت من Power Link (RJ45) على مقبس إخراج Beoconnect Core يحتوي Power Link هناك طريقتان للتوصيل عبر Power Link مع مدخل

- Daisy-chain: Beoconnect فيمكنك التوصيل من Power Link إذا كانت مكبرات الصوت لديك تحتوي على مقبسين على مقبسين Core بمكبر الصوت الأول ثم من مكبر الصوت الأول إلى مكبر الصوت الثاني
- Splitter: ثم قم بتوصيل كل من مكبري الصوت، Beoconnect Core بجهاز Power Link قم بتوصيل كابل موزع بالموزع

قم بتوصيل كل الأجهزة بمصدر التيار الكهربائي وتابع الإعداد في Power Link بعد توصيل مكبرات الصوت الخاصة بك عبر شبكتك، عليك تكوين مكبرات الصوت الموصلة والتأكد Beoconnect Core بمجرد توصيل Bang & Olufsen تطبيق من ضبط الأداء الأيمن والأيسر بشكل صحيح

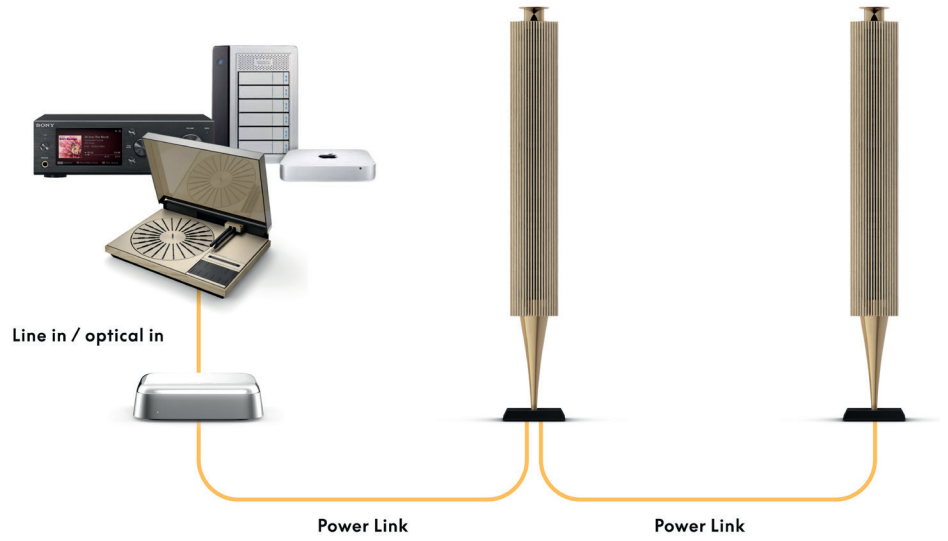
للحصول على مجموعة الكابلات المناسبة لمكبرات الصوت الخاصة بك Bang & Olufsen اتصل ببائع التجزئة الذي باع لك والإعداد المفضل لك



### التوصيل بمصادر صوتية خارجية

إلى مصدر موسيقي. يمكن استخدام مقياس 3.5 مم Beolab يوضح الرسم التوضيحي أعلاه كيف يمكنك إضافة مكبرات صوت لتوصيل أي مصدر صوت تناظري أو رقمي (بصري) على مستوى إشارة الصوت بحيث يتم تشغيله في Beoconnect Core للحصول على مجموعة الكابلات Bang & Olufsen من خلال مكبرات الصوت المتصلة. اتصل ببائع التجزئة الذي باع لك المناسبة للتوصيل بجهازك.

أولي إما مدمج في القرص الدوار أو خارجي بينه RIAA ملاحظة: إذا كنت ترغب في توصيل قرص دوار، يلزم وجود مضخم Beoconnect Core. وبين



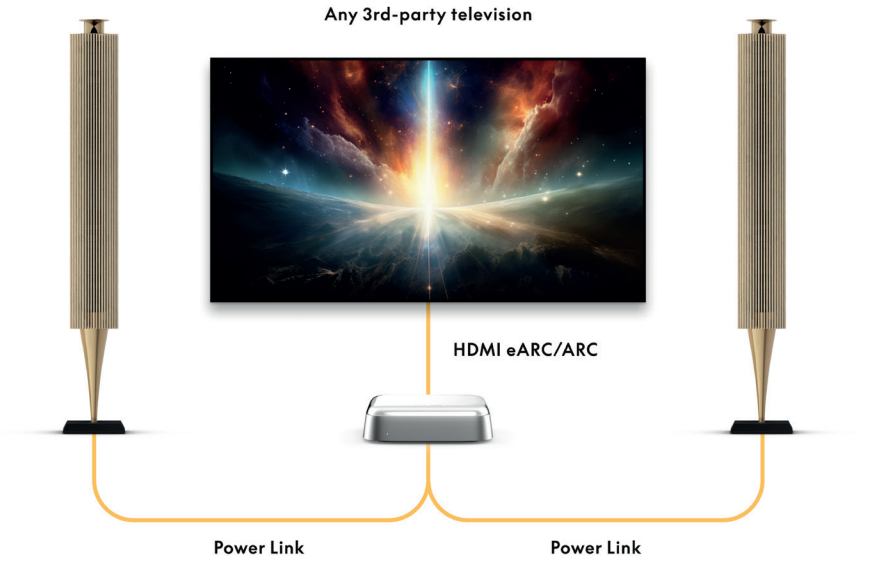
### التوصيل بتلفزيون من طرف خارجي

ما يسمح بتشغيل الصوت من برامجك، Bang & Olufsen من TV الاتصال بمعظم أجهزة Beoconnect Core يمكن لـ المفضلة من خلال مكبرات الصوت الموصلة

وتوصيل أحد الطرفين بمنفذ HDMI الخاص بك باستخدام كابل TV بـ Beoconnect Core (ربط) link ما عليك سوى الخاص بك. ابحث عن المنافذ TV على HDMI eARC/ARC والآخر بمنفذ Beoconnect Core على HDMI eARC الخاص بك لتحديد مكان المنفذ الصحيح TV المصنفة على

الخاص بك وتشغيله والدخول في وضع الاستعداد معه. يمكنك TV بالمزامنة مع Beoconnect Core بمجرد الاتصال، سيقوم الخاص بك TV ضبط مستوى الصوت باستخدام جهاز التحكم عن بُعد في

فك Beoconnect Core فقط. لا يمكن لـ (PCM) الخاص بك لإرسال صوت إستريو TV ملاحظة: قد تحتاج إلى تكوين والتي تكون الإعداد الافتراضي في بعض أجهزة التلفزيون، Dolby Atmos تشفير تنسيقات الأصوات المحيطة، مثل

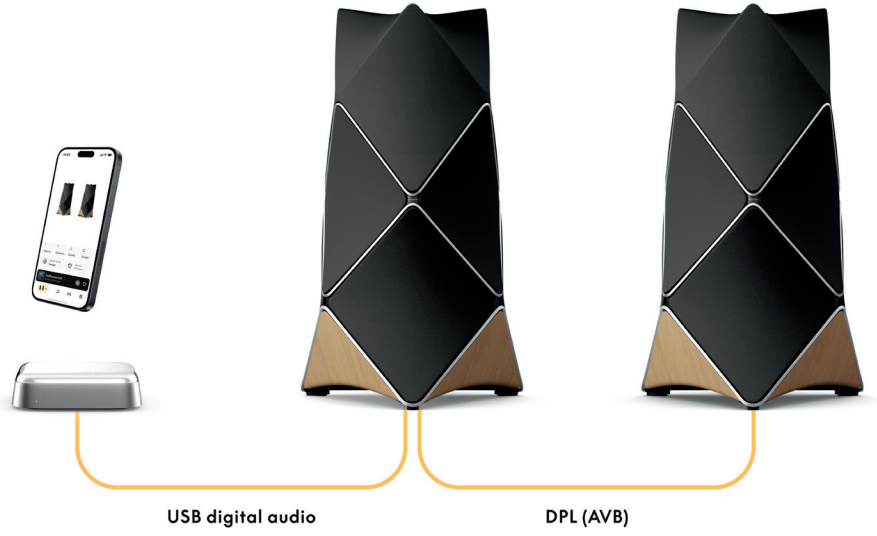




## أو BEOLAB 50 90 التوصيل بـ

لإنشاء سلسلة إشارة رقمية كاملة من المصدر إلى مكبر USB-C و 90 بمنفذ Beolab 50 يمكن توصيل مكبرات الصوت ومكبر الصوت الأساسي. توصيل مكبرات Beoconnect Core بين USB-B 2.0 إلى USB-C الصوت. استخدم كابل الصوت الأساسية والثانوية

قم بتوصيل كل الأجهزة بمصدر التيار الكهربائي، USB بعد توصيل مكبرات الصوت عبر DPL (RJ45) معًا عبر مقابس Beolab 50 بشبكته، سترى خيارًا لتمكين Beoconnect Core بعد توصيل Bang & Olufsen وتابع الإعداد في تطبيق أو 90 في شاشة التحكم



**BEOSOUND SHAPE التوصليل بـ**

لتحسين جودة الصوت والاتصال الرقمي Beoconnect Core الخاص بك باستخدام Beosound Shape قم بتحديث المباشر بمضخمات الصوت.

ملحوظة:

Beosound Shape في إعداد Beoconnect Core هناك حاجة إلى حامل عند تركيب

على مضخم «COMM In» بمقيس Beoconnect Core على «COMM» من مقيس RJ45 Cat7 قم بتوصيل كابل الأساسي Beosound صوت

تأكد من فصل Beoconnect Core الحالي بـ Beosound Shape في إعداد Beosound Core عند استبدال ومضخم الصوت Beoconnect Core عن مصدر التيار الكهربائي. ثم قم بتوصيل كل الكابلات بين Beosound Shape بمصدر التيار الكهربائي. تأكد من تشغيل Beoconnect Core الأساسي. بعد ذلك، قم بتوصيل كل من مضخم الصوت و Beoconnect Core مضخم الصوت أولاً ثم

ملحوظة:

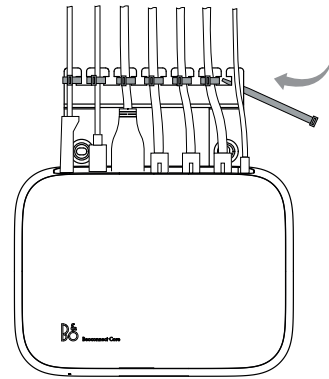
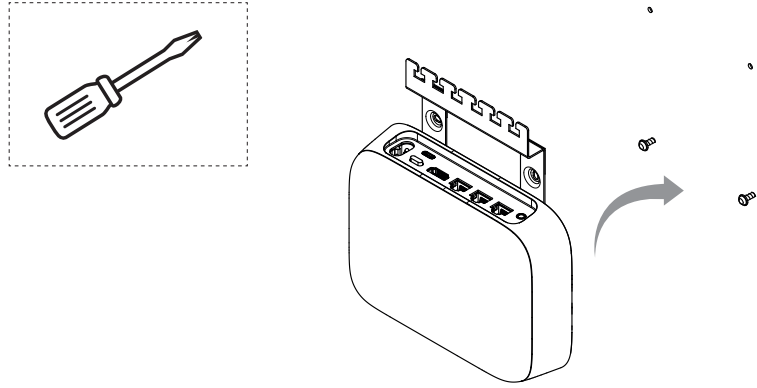
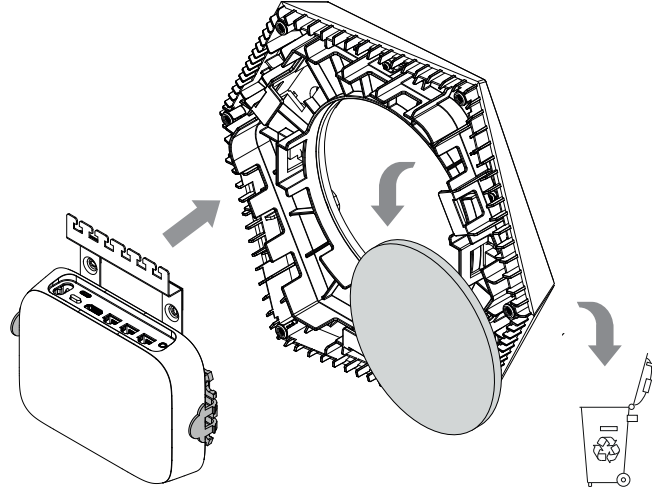
احرص على أن يكون معرف التصميم الخاص بتصميم Bang & Olufsen بمجرد تشغيله، تابع الإعداد في تطبيق Beosound Shape الخاص بك جاهزاً، حيث تحتاج إلى إدخاله في التطبيق لإنهاء الإعداد



**BEOSOUND SHAPE حلول حامل الحائط و**

يمكن استخدام Beoconnect Core يلزم وجود حامل Beosound Shape داخل بلاطة Beoconnect Core لتركيب Beoconnect Core على الحائط. لمزيد من التعليمات، راجع الدليل المرفق مع حامل Beoconnect Core نفس الحامل لتركيب Core.

وموقع Bang & Olufsen متاح للشراء من أي بائع تجزئة يبيع Beoconnect Core حامل [www.bang-olufsen.com](http://www.bang-olufsen.com).





## MULTIROOM

بمكبرات الصوت الأخرى في نظام link الربط Beoconnect Core ليستمتع جميع من بالبيت معًا بنفس المحتوى. يمكن لـ multiroom والسماح لمكبرات صوت متعددة في جميع أنحاء منزلك بتشغيل نفس المحتوى في نفس الوقت. يمكنك الاستمتاع بـ multiroom بعدة طرق مختلفة:

### Beolink Multiroom

يمكنه توزيع أي شيء تقريبًا\* يتم تشغيله على Bang & Olufsen هو نظام متعدد الغرف خاص بـ Beolink Multiroom الموجودة على نفس الشبكة Bang & Olufsen على مكبرات الصوت وأجهزة التلفزيون الأخرى من Beoconnect Core.

[play/pause] على مكبر صوت آخر، اضغط مع الاستمرار على Beoconnect Core للاستماع إلى ما يتم تشغيله على على مكبر الصوت هذا (لمدة ثابنتين) للانضمام إلى ما يتم تشغيله.

الانضمام) على جهاز التحكم عن بُعد) Join استخدم وظيفة Beoconnect Core للانضمام إلى ما يتم تشغيله حاليًا على لمعرفة المنتجات التي يتم تشغيلها وإضافة المزيد إلى ما Bang & Olufsen المقترن، أو استخدم تطبيق Bang & Olufsen. يتم تشغيله حاليًا.

### ملحوظة:

> - وانتقل إلى إعدادات المنتج Bang & Olufsen معًا، افتح أولاً تطبيق AirPlay و Beolink Multiroom لاستخدام Beolink Multiroom - > Enable AirPlay (تمكين AirPlay).

### ملحوظة:

multiroom المدمج حيث يجب أن يتم تكوين جميع تجارب Chromecast مع Beolink Multiroom لا يمكن استخدام الخاصة، مثل مجموعات مكبرات الصوت Google باستخدام ميزات

### Apple AirPlay

الخاص بك. Apple حدد مكبرات صوت متعددة من قائمة إخراج الصوت على جهاز AirPlay، مع multiroom لإنشاء تجربة AirPlay. أيضًا مع مكبرات الصوت من العلامات التجارية الأخرى التي تدعم Beoconnect Core يمكن أن يتم تشغيل

### المدمج Chromecast

على هاتفك الذكي لإنشاء مجموعات مكبرات صوت ثم بث محتوى على مكبرات Google Home يمكنك استخدام تطبيق Chromecast. الصوت هذه عبر

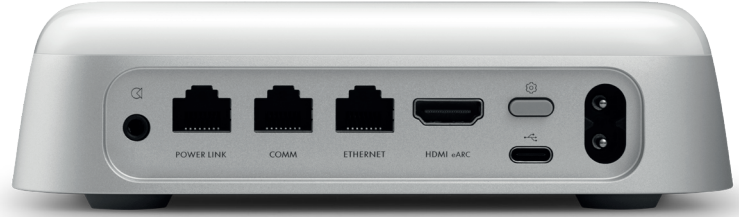
## معلومات رائعة

### وضع إعداد شبكة واي فاي

عم طغضلاب لاصتالاطبض ءءاعإ وأ ءءءء ءءكلسال ءءبشباب Beoconnect Core لىصوت كنفمى ءراش! عمستس .نئئئناث ءءمل Beoconnect Core نم ىفلءلا ءءءلا ىف Setup رز ىلع رارمءسالال ىنارمءكلا نوللاب ضن ىمولال ىف ءلاءلا رشؤم أءب ىسو ،ءئءءوص

ربكم لىصوتل (ءءءلا ءءاعإ) Re-Setup ءءء Bang & Olufsen ءببءب ءصاءلا ءءنملا ءءءءل ىف ىاف ىاو ءءبشباب ءءصلا

ىرءأ ءرم رزلا ىلع رارمءسالال عم طغضلا ،ءءباسلال ءءبشلاب ىرءأ ءرم لىصوتل او ىاف ىاو ءءءل ءءءل



### عنصملا ءءءءل نئئئ ءءاعإ

نم ىفلءلا ءءءلا ىف ءءءل ىف ءءءل Setup رز ىلع رارمءسالال عم طغضلاب عنصملا ءءءءل ءءاعءسا كنفمى نئاوئ 8 ءءمل Beoconnect Core

Beoconnect نوكئ ىس ،أب ىرءء ءءءو ءءءء ءءءو ،طبضلا ءءاعإ ءءلمء Beoconnect Core أءب ىس اءءء ىلوالال ءرملا ءءءل ال ازءء Core

### ىمولال اءءءءسا

أو قم ءءءبىل ءءءل ءءءء عن Bang & Olufsen من ءءل ءببء Beoconnect Core اسءءءم ءائءك ءءءل للءءءم فى بمصاءر المءءوى أو ءءءءالم المفضلة لءك Bang & Olufsen بعء

### البوئوئ

لءءءة وءبءة. عنءما ببء مؤشر الضوء بالنبض باللون الأزرق، انءقل إلى إءءءء Setup لإءءءل ءءءل ءبءء، اضءط على زر Bluetooth بمءءر الءءصال، بمءكك الءببءل فى أى وءء . Beoconnect Core على ءءءك وءء Bluetooth

مرة Pairing على ءءءك بءون إءءء Bluetooth إذا كان ءءءك ءء تم إءءءه بالءءل، فىمءكك إءءءء ءءببءه من إءءءءل الأءرى





## ي ئ و ض ن ر ش و م

جنتنملا ةلاح رهظيو ، Beoconnect Core نم يمامألا ءزجلا يف ءوضلا رشؤم دجوي

رشؤملا ضيبأ	ةلاح
مادختسالل زهاج ، ءكفبشلاب لصتم لي غشيتلا ادب اتقوم لي غشيتلا فاقاي!	تباث ضماو ءطبيب ضبان
قرزأ Bluetooth ءينقتب نرتقم / لصتم* Bluetooth ءينقت pairing ل حوتفم	(نواو 5) تباث ضبان
رمأ *تباث اطح قرارحلا ءجرد عافترا لاثملا ليبس يل ع ، رباع اطح	تباث ضماو
رفصأ لاصتالا عطقنا ، ءكفبشلاب لاصتلا دجوي ال ءكفبشلا دادعإل زهاج ءكفبشلاب لاصتالا راج	تباث ضماو ضبان

رضخأ  
يرخأ ءرم تباثلا ضيبألا نوللا يل! ءوضلا لوحتي يتح رظنتنا - جم انربلا ثي دحت راج ضبان

ءدع اسملا يل ع لوصحلل ءالمعلا ءمدخب لاصتالا ي جري\*  
Bang & Olufsen قيبطت يف (مدعلا) Support مدسق نم اضيأ نكمم اذه